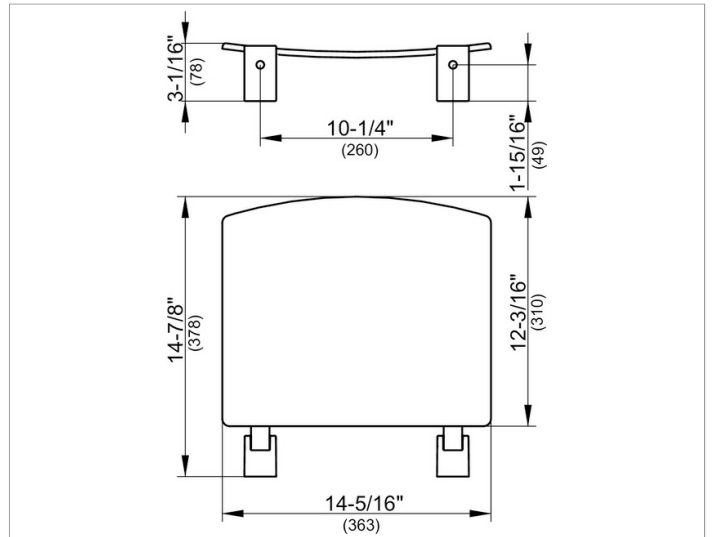


Plan Care
35980010037 Tip-up seat

PRODUCT



DRAWING



PRODUCT ATTRIBUTES

tip up, wall mounted

SURFACE

chrome-plated/dark grey (RAL 7021)

SPECIFICATIONS

KEUCO PLAN CARE Tip-up seat 35980010037
 chrome plated with dark-grey (RAL 7021) seat
 wall mounted
 maximum load is 253 Lb

This product is no stronger than the fixings and wall structure to which it is attached and it must be firmly secured to function as intended!

Warranty: KEUCO products are covered by a 5-year manufacturer's warranty, in effect from the date of purchase. During this time, proven product defects will be remedied free of charge. Warranty claims must be filed in writing, including a detailed description of the defect immediately after a defect has occurred. For a copy of our detailed product warranty policy, please contact us at office-usa@keuco.com.
Installation: KEUCO products must be installed by a qualified professional in accordance with the respective installation guidelines and any applicable federal / local building codes and regulations.