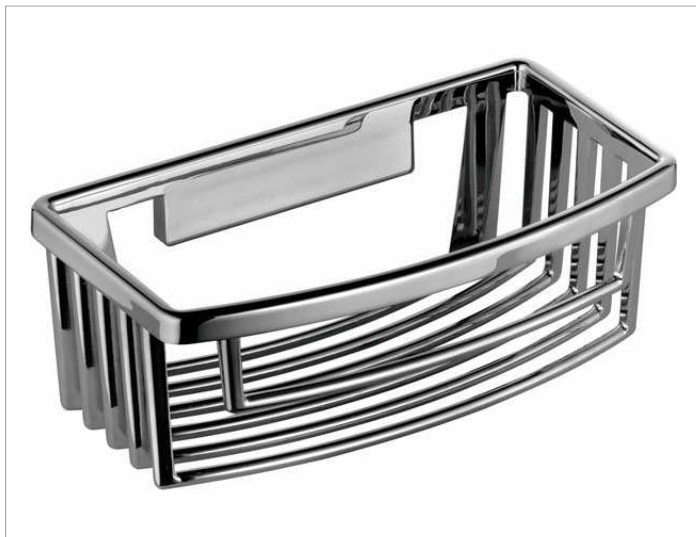


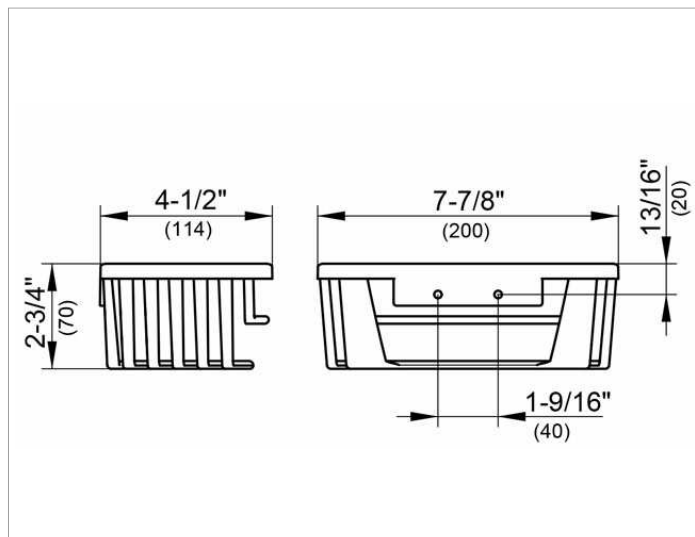
Shower shelves

24942010100 Sponge wire basket

PRODUCT



DRAWING



PRODUCT ATTRIBUTES

removable, with concealed fastening screws

SURFACE

polished chrome

SPECIFICATIONS

KEUCO SPONGE WIRE BASKET, wall mounted, 24942010100
 chrome-plated sponge wire basket in a functional design,
 easy to clean, removable,
 depth 4-1/2", width 7-7/8", height 2-3/4"
 distance between bore holes 1-9/16"
 with concealed fastening screws
 Delivery incl. corrosion-free mounting material

Warranty: KEUCO products are covered by a 5-year manufacturer's warranty, in effect from the date of purchase. During this time, proven product defects will be remedied free of charge. Warranty claims must be filed in writing, including a detailed description of the defect immediately after a defect has occurred. For a copy of our detailed product warranty policy, please contact us at office-usa@keuco.com.

Installation: KEUCO products must be installed by a qualified professional in accordance with the respective installation guidelines and any applicable federal / local building codes and regulations.