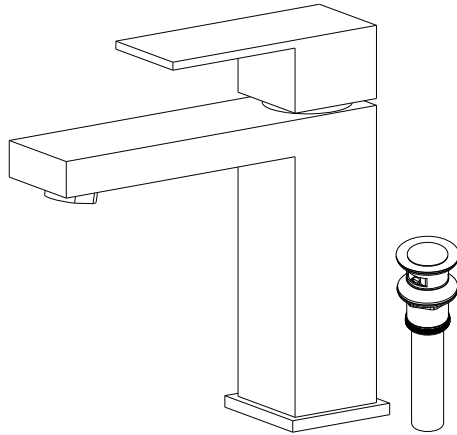
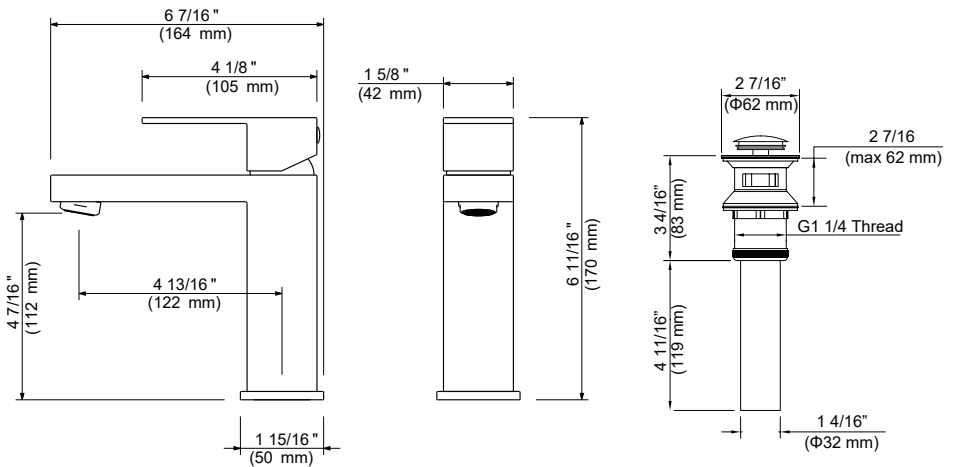


# INSTALLATION GUIDE

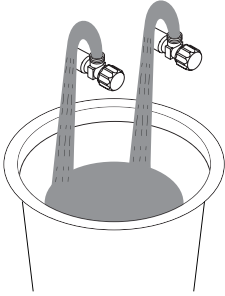


## DIMENSIONS



# FAUCET INSTALLATION

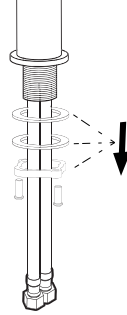
1



Shut off water suppliers. Remove the old faucet, clean the mounting surface.

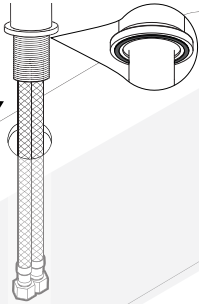
**Note: For first time install, flush the pipes first by open the angel valve to run 60s.**

2



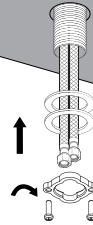
Remove the mounting hardware from the mounting pipe.

3



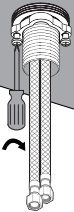
Put the rubber O-ring into the bottom gap of faucets then Insert faucet into faucet hole.

4



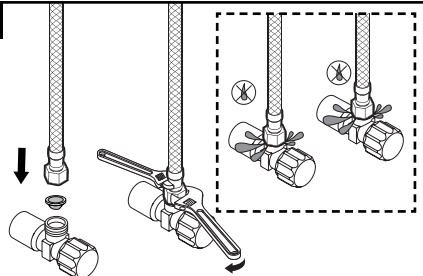
From below the sink, Slide rubber washer, metal washer and mounting bracket onto the thread shank.

5



Adjust position of faucet body if necessary, Then tighten the mounting nuts with phillips screwdriver until snug.

6

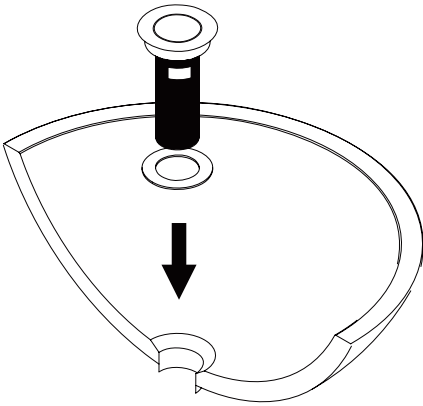


Connect and tighten the supply hoses by using two adjustable wrenches (avoid twisting or kinking). Turn on the angle valve and check for leaks.

**Note: Do not remove the net filter that attached into the connecting end!**

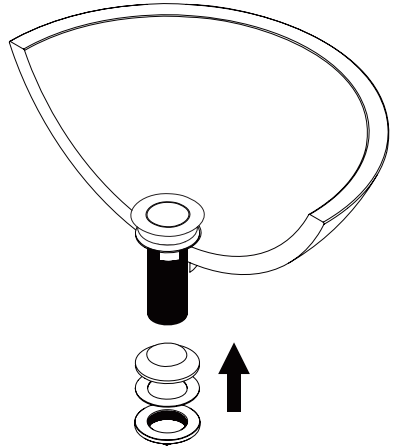
## POP-UP INSTALLATION

1



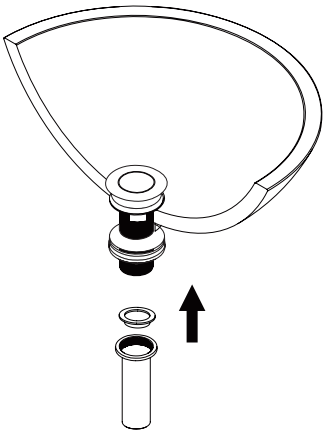
Remove all components from drain piece including: thin and thick silicone washer, hard washer, drain nut and tail piece. Insert drain and thin silicone washer into basin. Apply Teflon to the exposed male threading area of drain piece.

2



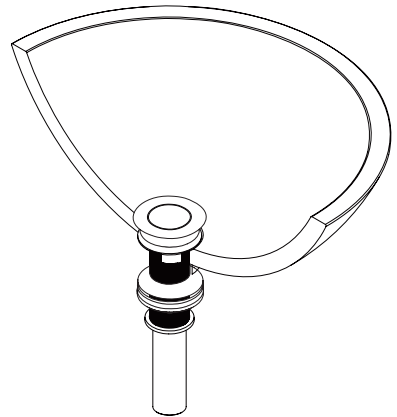
Insert thick silicone washer and hard washer over the exposed male threaded area and screw drain nut onto drain. Do not overtighten.

3



Screw tail piece onto drain using the tail washer.

4



Install waste system (not included) and check for leakage.

## TROUBLE SHOOTING

---

If you've followed the instructions carefully and your faucet still does not work properly, take these corrective steps.

<b>Problem</b>	<b>Cause</b>	<b>Action</b>
Low flow	Aerator or filter may be clogged	Unscrew aerator to check rubber packing or replace aerator. <b>(Note: some models require wrench to remove aerator.)</b>
Faucet leaks from under handle	Bonnet nut has come loose or cartridge needs to be reseated	Remove handle and cap. Using a wrench, ensure bonnet nut is tight.
Water will not shut off completely.	Dirty or worn out plastic washer in the cartridge.	Adjust or replace cartridge. <b>WARNING: Failure to securely tighten bonnet nut with a wrench could result in water damage.</b>

## CLEANING AND CARE

---

Our Kitchen and bathroom products are made of solid brass to comply with the needs of the market with regard to design and functionality. To avoid damage to the product, it is necessary to take proper care of it.

Clean the faucet often with a soft cloth to keep it looking like new. For heavy cleaning you can use mild liquid detergents or non-abrasive liquid polisher. Rinse with water and dry with a soft cloth. Avoid abrasive cleaners, steel wool and harsh chemicals as these will dull the finish and void your warranty.