

Care & Maintenance

Your new faucet are made of solid brass to comply with the needs of the market with regard to design and functionaity. To avoid damage to the product, it is necessary to take proper care of it.

To keep the product clean & shining, follow the steps below:

Rinse with clean water & dry with a soft cloth

Do not clean with soaps, acid, polish, abrasives, or harsh cleaners.

Do not use cloth with a coarse surface. Unscrew the aerator and clean when necessary.

*This installation manual is subject to change without further notice.

Faucet Warranty

KIBI products are manufactured under the highest standards of quality and workmanship. KIBI extends this warranty to the original purchaser for personal household use of the "Faucet" in its original location. The warranty is non-transferable.

KIBI warrants the structure and finish of the product to be free from defects in material and workmanship under normal usage for the lifetime of the product. The warranty commences from the initial date of purchase by the owner or trade professional, from an authorized KIBI dealer, through the lifetime of the original owner or end-user.

KIBI warrants the mechanical component (cartridge) of the product to be free from defects in material under normal usage for a period of five (5) years. The warranty commences from the initial date of purchase by the owner or trade professional, from an authorized KIBI dealer, through the five (5) year term of the original owner or end-user.

Any product reported to the authorized dealer or to KIBI as being defective within the warranty period will be repaired or replaced with a product of equal value at the option of KIBI. This warranty extends to the original owner or end-user, and is not transferable to a subsequent owner.

Restrictions

This warranty does not cover antediluvian, discontinued, or display products, whether such items are purchased at discount outlets, unauthorized dealers, and/or sold on clearance.

This warranty does not cover instances of negligence, misuse, abuse, improper installation, carelessness, accident, hard water or mineral deposits, exposure to corrosive materials, misapplication, damages caused by improper maintenance, alteration of the product, or failure to follow care or installation instructions enclosed with your product. Avoid using abrasive cleaners such as powders, bleach, ammonia, alcohol, or chlorine. Avoid using abrasive pads, steel wool, or wire brushes, as these will damage and wear down the finish.

This warranty does not apply to Products that have not been installed or operated in accordance with instructions supplied by KIBI and all applicable rules, regulations, and legislation pertaining to such installations.

This warranty does not apply unless the KIBI product is installed by a fully insured and licensed trade professional. KIBI insists that such professionals have experience in the installation of bathroom and kitchen manufactured goods.

This warranty does not cover labor charges or costs of removal and reinstallation of said product. This warranty does not allow recovery of incidental or consequential damages, such as loss of use, delay, property damage, or other consequential damages, and KIBI accepts no liability for such damages.

This warranty does not cover Marine or Outdoor Installation.

Except as otherwise provided above, KIBI makes no warranties, expressed or implied, including warranties of merchantability and fitness for a particular purpose, or compliance with any code.

Shipping charges will be covered for the first (1) year of the warranted replacement part or product (HI, AK, and Puerto Rico shipping charges may apply). International shipping fees are not included.

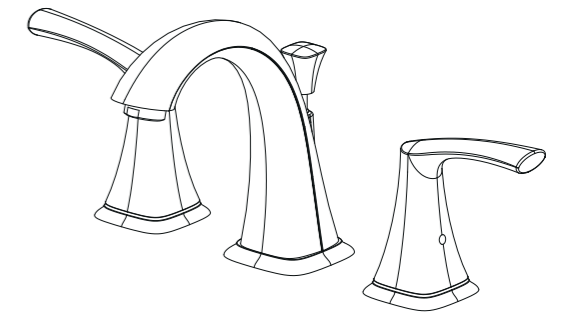
Commercial Warranty

KIBI extends the above warranty for a period of one (1) year to purchasers of products for industrial, commercial, and business use.

All incidental or consequential damages are specifically excluded. No additional warranties, express or implied, are given, including but not limited to any implied warranty of merchantability or fitness for a particular purpose. Some states do not allow the exclusion or limitation of incidental or consequential damages or limitations on how long an implied warranty lasts, so the above limitations or exclusions may not apply to you. This warranty gives you specific legal rights, and you may also have other rights which vary from state to state.



Installation Guide



Stonehenge
KBF1015



www.kibiusa.com

www.kibiusa.com

Installation

Installation Considerations

For best results, we recommend that this unit be installed by a licensed, professional plumber.

Please read over these instructions thoroughly before beginning installation. Make sure that you have all tools and supplies needed to complete the installation.

Please flush the water system to ensure that no metal swarf, solder, and other impurities can enter the faucet that might damage the cartridge. (Most of the leakages and water flow issues are from avoiding this very necessary step).

Turn off the hot and cold water lines at the angle valve and turn on the old faucet to release any built-up pressure.

Keep this booklet and the receipt (or other proof of date and place of purchase) for this product in a safe place. The receipt is required should it be necessary to request warranty parts.

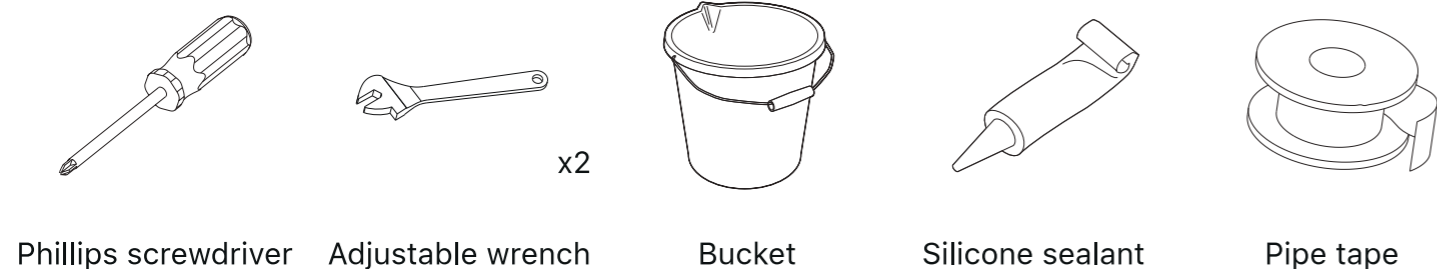
Please keep the box and packaging materials until your product is completely installed and functional.

SAFETY TIPS

△ The hot and cold supply hoses included with this faucet are for use with 3/8" angle valves.

If your angle valves are a different size, purchase adapters at your local plumbing supply store or home center. Adapters are not available from KIBI.

Tools you may need

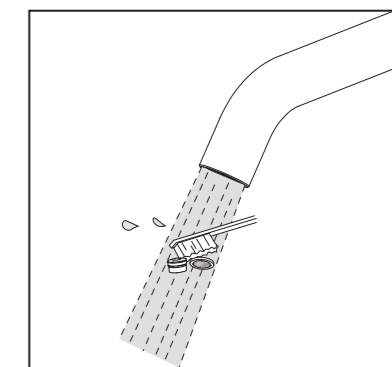
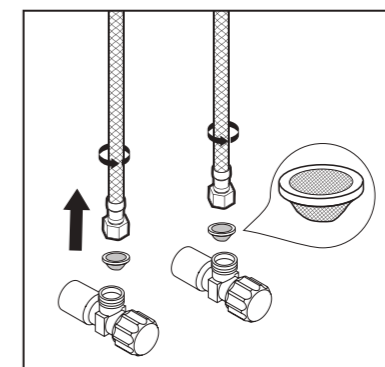
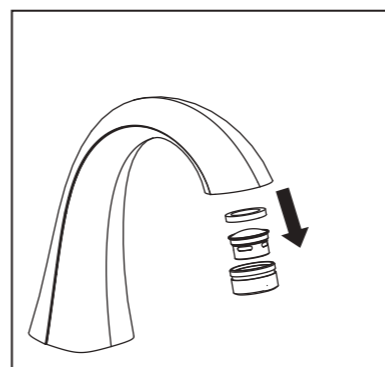


Trouble-Shooting

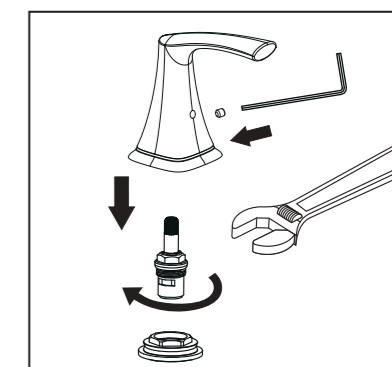
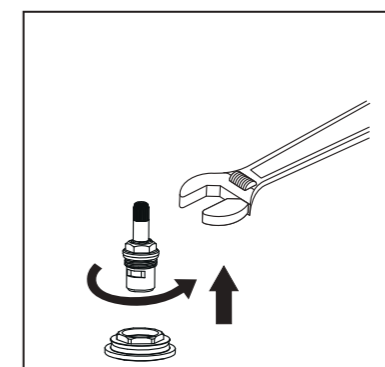
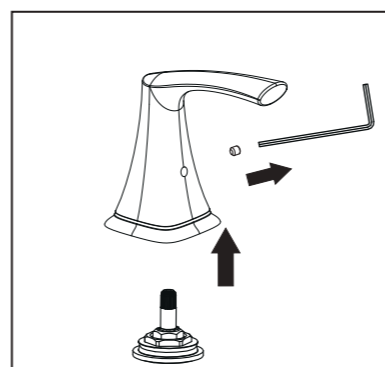
If you've followed the instructions carefully and your faucet still does not work properly, take these corrective steps.

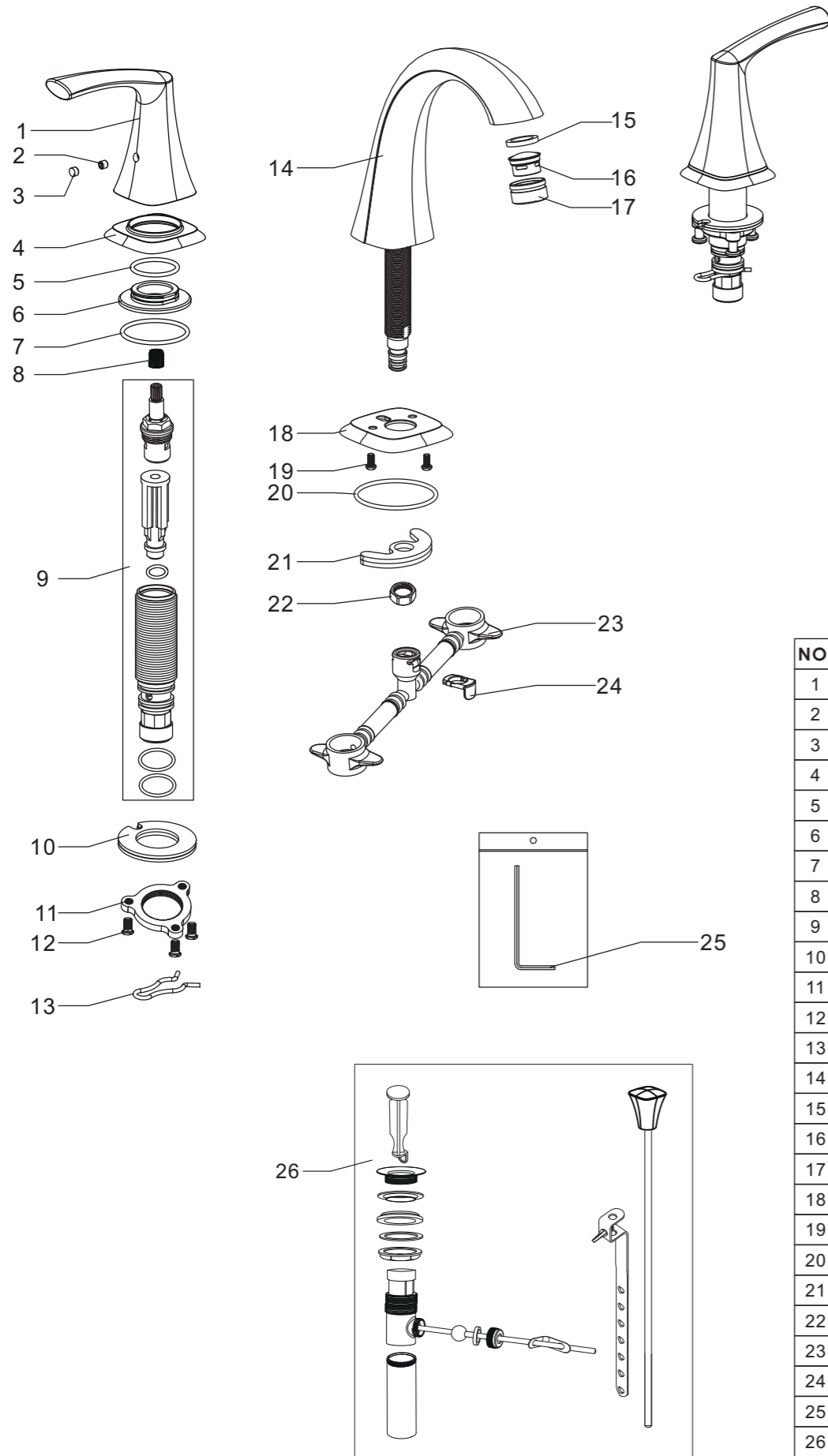
Problem	Cause	Action
Leaks underneath handle.	Cartridges have come loose.	Tighten the cartridges or replace cartridges.
Water will not shut off completely.	Dirty or damaged Cartridges.	Remove handle assembly and cartridge to check if ceramic disk is damaged permanently or dirty. Re-install the cartridge or replace the cartridge.

Clean Aerator and Filter

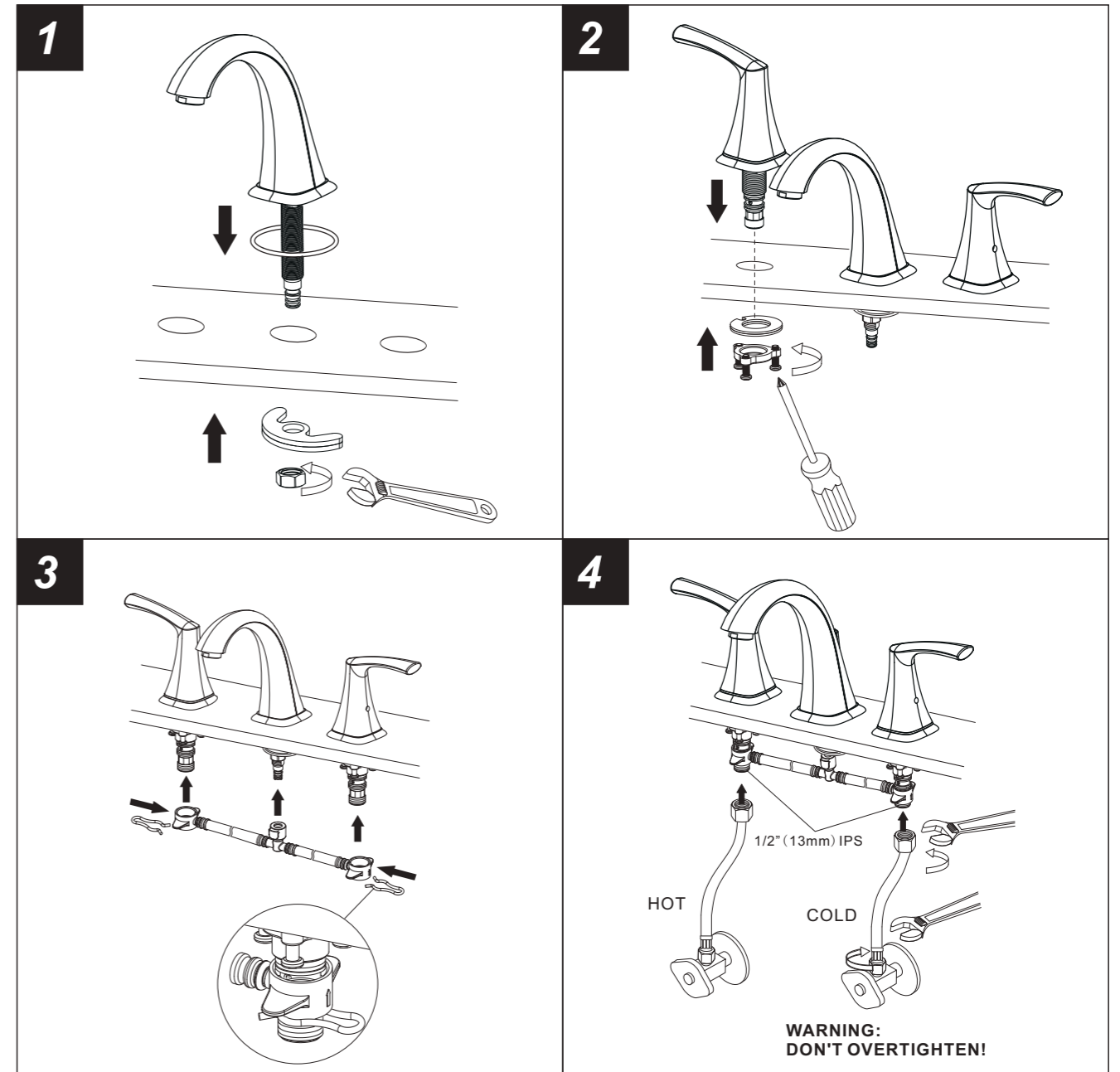


Remove Cartridge



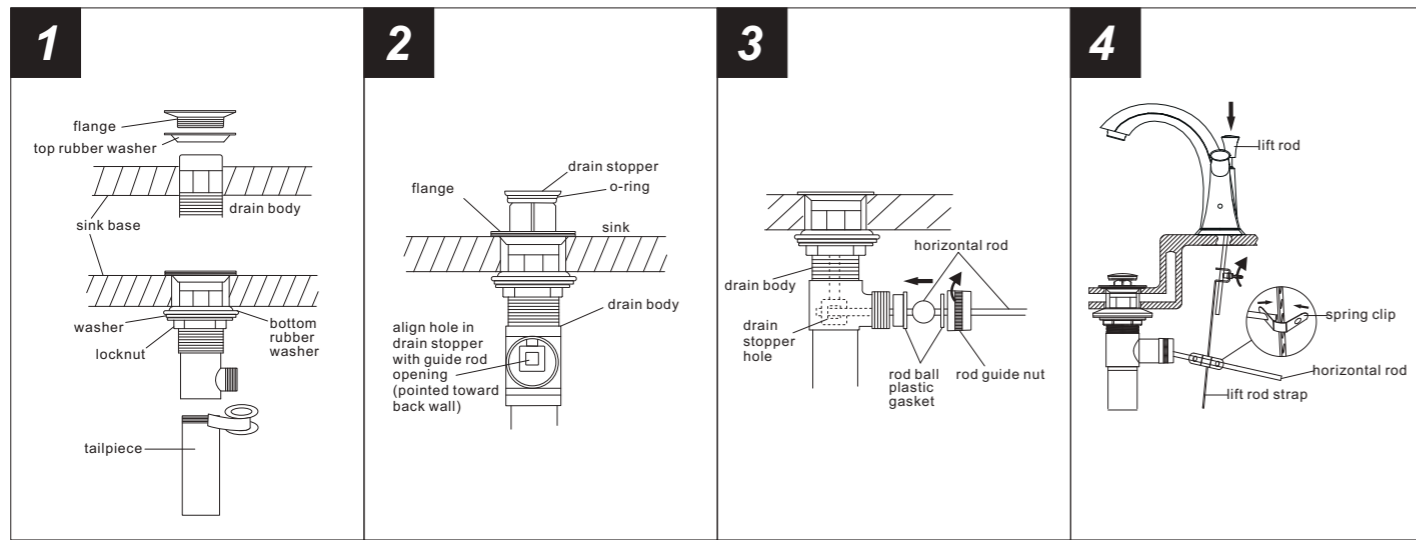


NO.	PART NAME
1	Handle
2	Screw
3	Index
4	Handle flange
5	O-ring
6	Lock nut
7	O-ring
8	Adapter
9	Water valve assembly
10	Gasket assembly
11	Lock nut
12	Screw
13	Clamp spring
14	Spout
15	Washer
16	Aerator
17	Aerator collar
18	Base
19	Screw
20	O-ring
21	Gasket assembly
22	Lock nut
23	Flexible hose
24	Plastic lock ring
25	Allen key
26	Pop-up

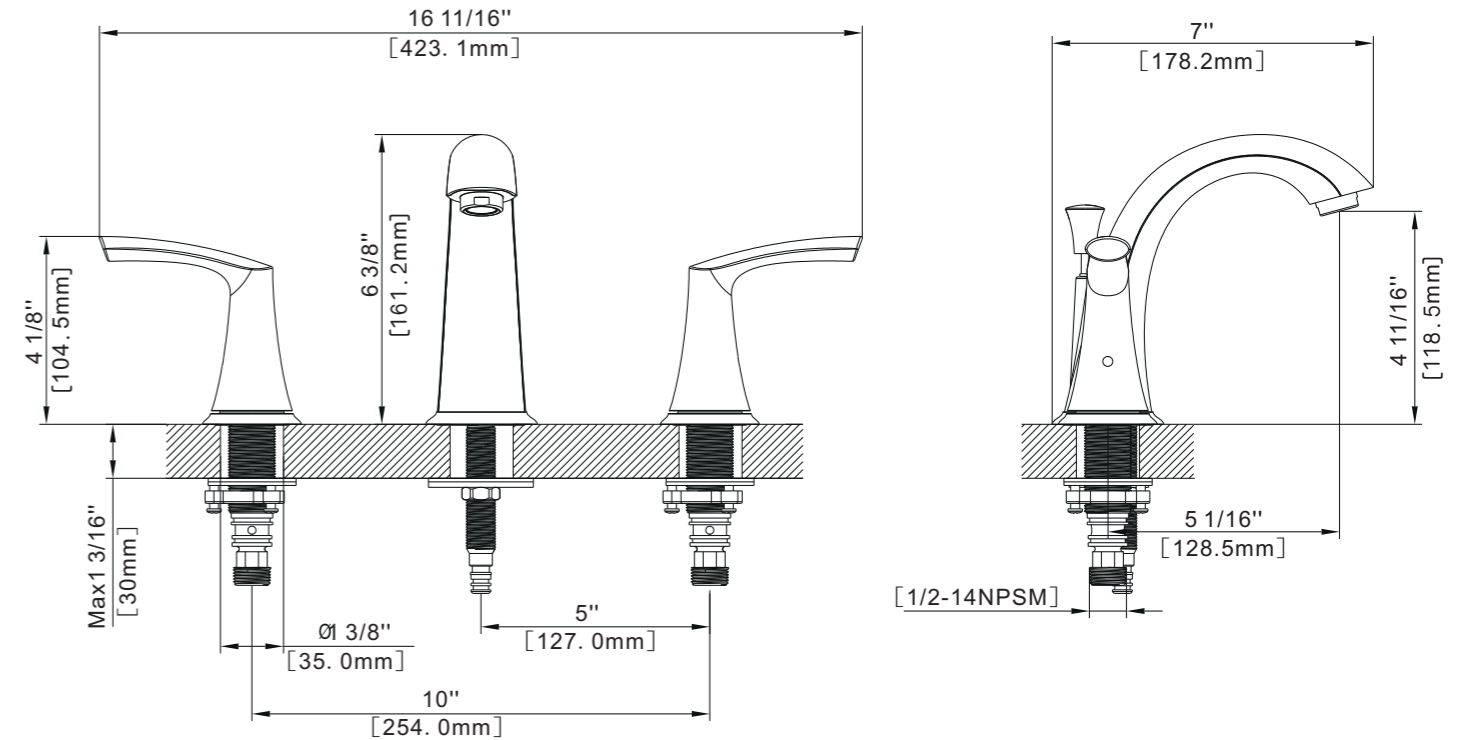


1. Position the body with o-ring in the installation surface as shown and secure it with gasket assembly and tighten the lock nut with adjustable wrench.
2. Position the handle in installation surface as shown and secure it with fixing kit and tighten the screw with screwdriver. Repeat the above steps for the other handle. **Caution: please be caution with the position of hot and cold handles.**
3. Position the flexible hose as shown and fix it to the faucet as shown with clamp spring.
4. Connect the water supply lines to faucet and water supply valve and tighten it with wrench.

Warning: The water supply valve mentioned above are not included, please purchase them from plumbshop.

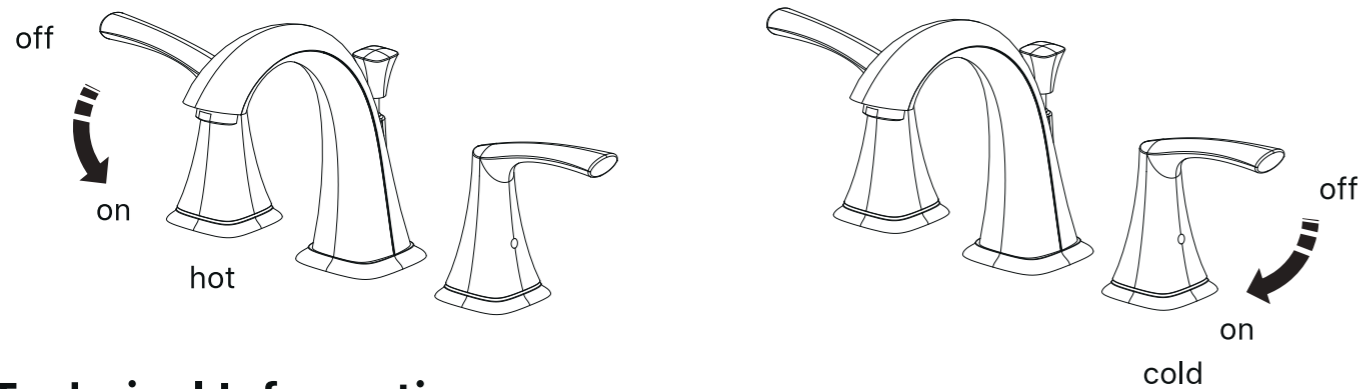


Stonehenge-KBF1015



1. Remove pop-up drain stopper, and flange with top rubber washer for pop-up assembly. Insert drain body from underneath of sink drain hole. Replace flange and top rubber washer back to drain body. Tighten flange as far as possible. Remove and put silicone along bottom of. (Optional) Slide bottom rubber washer on drain body up against bottom of sink. Tighten washer and locknut firmly against base for tight seal. Remove tailpiece from drain body, add Teflon tape, replace tailpiece.
2. Replace pop-up drain stopper to drain body with o-ring in place, and align stopper hole with guide rod opening.
3. Remove rod guide nut and rod ball plastic gasket. Insert horizontal rod into drain body and through hole in drain stopper. Replace rod guide nut with rod ball plastic gasket and tighten it.

Operation



Technical Information

Recommended water pressure: 15-75 PSI
 Optimal water pressure- 43.5 PSI
 Max pressure - 72.5 PSI
 Recommended hot water temp. 120°-140°F
 Max. hot water temp 176°F

*Please know and follow all applicable local plumbing codes when setting the temperature on the water heater.