

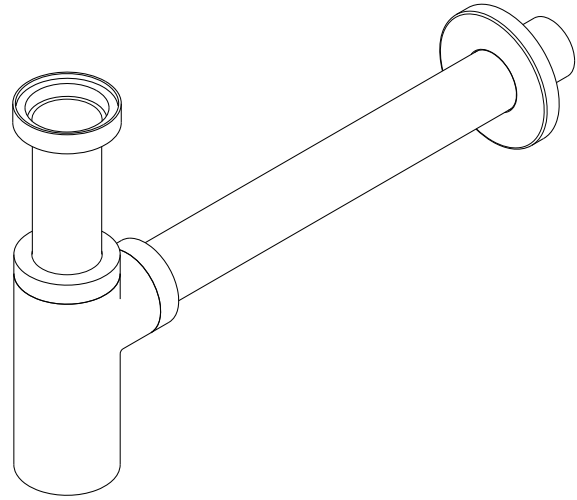
Model: **KBT101**

Round Bottle Trap





SPEC SHEET

Features

- Solid Brass Construction
- Removable trap eye for easy cleaning
- With the G1-1/4" slip inlet, it fits any standard G1-1/4" drain assembly.
- Includes 12" extension tube.
- Outlet with deodorization plug
- Extra Long Trap Bottle



Available Finishes

Finish	Code	Description
	CH	Chrome
	BN	Brushed Nickel
	MB	Matt Black
	BG	Brushed Gold

