

EPICURE SERIES

Farm House Single Bowl Model EPS-3000



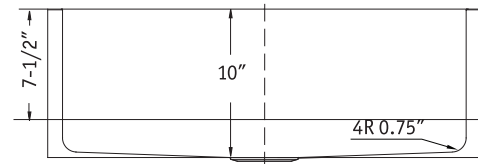
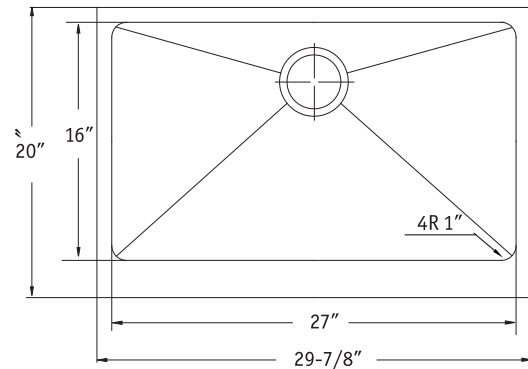
EPS-3000

FEATURES

- Premium grade T-304 stainless steel
- 10" depth • 16/18 gauge
- MegaShield™ insulation
- Farmhouse sink with apron
- Apron 10" high with 2-1/2" offset
- Brushed satin, rear-set drain • 3-1/2" drain opening
- Fits 30" sink base • Requires Custom Cabinet
- Supplied with cutout template, fasteners and instructions
- Complies with ASME A112.19.3-2000, cUPC®
- Lifetime Limited Warranty



ASME A112.19.3-2000



OPTIONAL ACCESSORIES

Bottom Grid: BG-5300

Cutting Board : CB-4500

Strainer: 190-9180

OVERALL DIMENSIONS	EACH BOWL	CUTOUT SIZE	PACKAGING*	WEIGHT*
29-7/8" x 20"	27" x 16"	See Template	1/12 pcs.	40/520 lbs.

*Standard packaging: Single boxed /Pallet of single boxed.

All dimensions are in inches. Specifications subject to change without notice.

Project/Job name

Architect/Engineer

Contractor

Model

Q'ty

Notes

Installation profile

