

MEDALLION DESIGNER SERIES

Undermount 80/20 Double Bowl

Model **MG-3209SR** as shown

MG-3209SL small bowl left



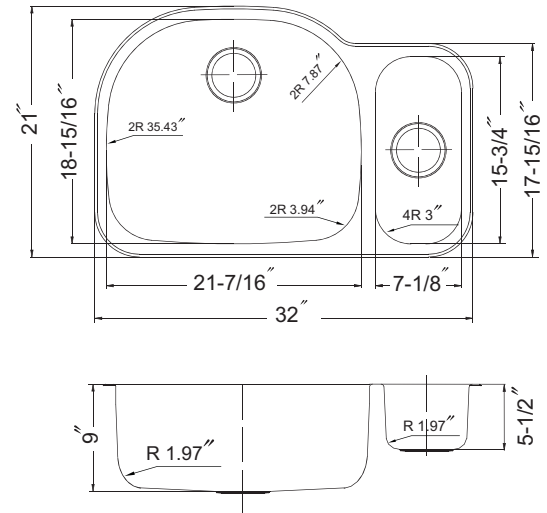
FEATURES

- Premium grade T-304 stainless steel
- 9" & 5-1/2" depth • 18 gauge
- StoneGuard™ undercoating over Super-Silencer pad
- SpecPlus™ edge
- Lustrous satin with highlighted rim
- Fits 36" sink base • 3-1/2" drain opening
- Supplied with cutout template, fasteners and instructions
- Complies with ASME A112.19.3-2000, cUPC®
- Lifetime Limited Warranty

MG-3209SR



ASME A112.19.3-2000



OPTIONAL ACCESSORIES

- Bottom Grid: BG-1100 & BG-2400 Rinsing Basket: RB-2400
 Cutting Board : CB-2400 Strainer: 190-9180
 Colander : CL-1120

OVERALL DIMENSIONS	EACH BOWL	CUTOUT SIZE	PACKAGING*	WEIGHT*
32" x 21"	21-7/16" x 18-15/16" 7-1/8" x 15-3/4"	See Template	1/16/20 pcs.	22/390/3420lbs.

*Standard packaging: Single boxed /Pallet of single boxed/Pallet of bulk pack.
 All dimensions are in inches. Specifications subject to change without notice.

Project/Job name _____

Architect/Engineer _____

Contractor _____

Model _____ Q'ty _____

Notes _____

Installation profile

