

Kräus®

INSTALLATION MANUAL

Di f]hU\$ 'G]b[`Y' < UbX`Y'
K UhYf':]`hfUh]cb': Ui Wh

::!%\$

Congratulations on the purchase of your new Kraus[®] plumbing fixture!

D'YUgY' _YYd`h`Y`Vcl`'UbX`dUW_U[]b[`a`UhYf]U`gi`bh`'næi`f`d`fc`Xi`Vh`]g`
Vt`a`d`Y`h`Y`m]b`g`h`U`Y`X`"Z`næi` `Uj`Y`U`b`m`e`i`Y`g`h`c`b`g`z`f`Y`e`i`]f`Y`h`Y`W`b`]W`
U`g`g`h`U`b`W`'c`f` `Uj`Y`U`b`m`d`f`c`V`Y`a`g`k`]h`'næi`f`d`fc`Xi`Vh`



8C`B`C`H`F`9`H`F`B`H`C`G`H`C`F`9`

**Please contact our Customer Service Team
1-800-775-0703 / customerservice@kraususa.com**

<Uj`Y`h`Y`a`c`X`Y`'bi`a`V`Y`f`Uj`Uj`U`V`Y`'U`b`X`'f`Y`H`U]b`'U`V`t`d`m`i`c`Z`næi`f`
f`Y`W`]d`h`k`]h`'di`f`W`U`g`Y`'X`U`h`'Z`c`f`'f`Y`Z`f`Y`b`W`"

Z`Z`c`f`'U`b`m`i`f`Y`U`g`c`b`'h`]g`d`f`c`Xi`Vh`X`c`Y`g`'b`c`h`i`a`Y`Y`h`næi`f`'Y`i`d`Y`W`U`h`]c`b`g`z`
d`'Y`U`g`Y`'V`Y`'g`i`'f`Y`'h`c`'f`Y`d`U`W`'h`]g`d`f`c`Xi`Vh`]b`'h`Y`'c`f`[]b`U`'V`c`l`'U`b`X`
d`U`W`_U[]b[`a`UhYf]U`'h`c`'Uj`c`]X`'X`U`a`U[]Y`'X`i`f`]b[`h`f`U`b`g`]h`'



Prior to Installation:

- A U_Y'g' fY'nci '\Uj Y'U''bYVggUfmidUfngVmiWYVW]b['h.Y'X]U[fUa 'UbX dUfng''gh''zUbmidUfh]g'a]gg]b['cf'XUa U[YXzd'YUgY VebhUVM?fui g' 7i g'ca Yf'GYfj]W'U'h, \$\$! ++)!\$+\$' 'Zcf'U'fYd'UW'a Ybh'
- FYUX 'U'']b'g'f'i V]cbg'UbX'gUZY'hmk Ufb]b[g'UbX'Ybgj fY'nci '\Uj Y'U''hc'g'z dUfng'z'UbX'Yei]da Ybh'bYVggUfmiZcf'U'gUZY']b'g'U'U'h]cb''
- Hi fb'cZZhY'\chUbX'Ve'X'k UHYf'g' dd'mUhihY'Ub['Y'g'rcdg'UbX'h'fb'cb hY'c'X'Zi W'h'hc'fY'YUgY'U'bm'Vi]hi d'dfYgg' fY''FYa cj Y'Yi]g'h]b['Zi W'h'
- DFY!Xfj'YX'c'Y'g]nY'fYei]fYa Ybh'%%#(''fa]bL
- A U' Vei bhYf'rcd'h]V]bYgg.'' '#%#*I

: cf'fYVWb]W' Ugg]g'UbW'cf'fYd'UW'a Ybh'dUfng'z'd'YUgY VebhUVM?fui g'7i g'ca Yf' GYfj]W'UbX'cbY'cZci f'fYd'fYg'Yb'U'h]j Yg'k]''VY'\Uddm'hc '\Y'd.' Hc'!: fY.Y., \$\$! ++)!\$+\$' 'cf'7i g'ca Yf'g'Yfj]W'4 _fui g' g'U'Ve'a

Hcc'g'F'Yei]fYX

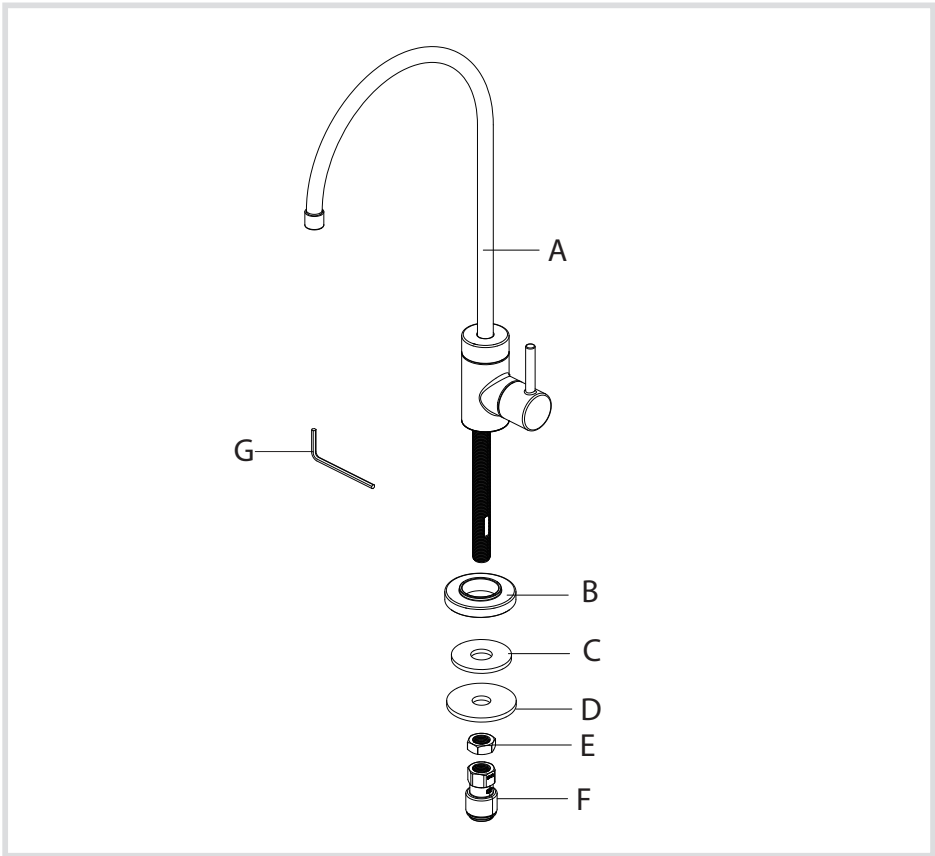


7UFY' / 'A U]bh'Y'UbW

- † Hc' _Y'd' h'Y' d'fc'Xi V'h'W'Ub' / 'g]b]b[z'z'c'ck' h'Y'g'h'Y'd'g'VY'ck.
- % F]bg'Y'k]h' W'Ub'k UHYf' / 'X'f'nk]h' U'g'c'z'h'W'ch
- &" 8c' b'ch'W'Ub'k]h' 'g'c'U'd'g'z'U'V'X'z'dc']g'z'U'V'f'U'g]j Y'g'cf' \U'f'g' W'Ub'Y'f'g
- ' " 8c' b'ch'i g'Y' W'ch'k]h' 'U'Ve'U'f'g'Y'g' f'ZUW
- (" l'bg'W'Y'k' h'Y'U'f'U'f'c'f'UbX' W'Ub'k \Y'b' b'YVggUf'm
- † H\]g']b'g'U'U'h]cb'a Ubi U']g'g' V'YV'h'hc' W'Ub[Y'k]h'ci h'Z' f'h'Y'f' b'ch'W''



8]U[fUa `UbX`DUfng`@gh



5": Ui VVh'5ggYa V`m

6": `Ub[Y

7"Fi VVYf`K Ug\Yf

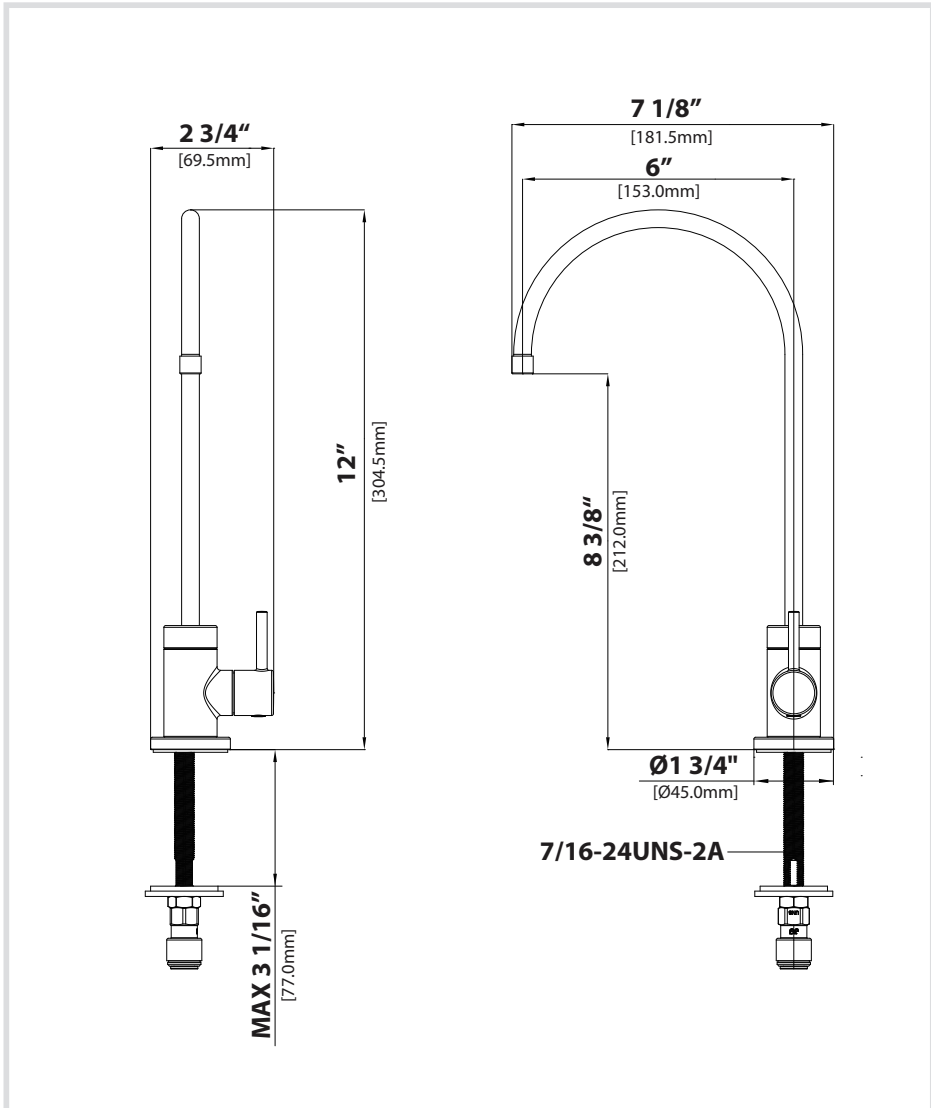
8"A YhU`K Ug\Yf

9' A ci bh]b[`Bi h

: " 7cbbYVtcf

; "<YI`K fybW

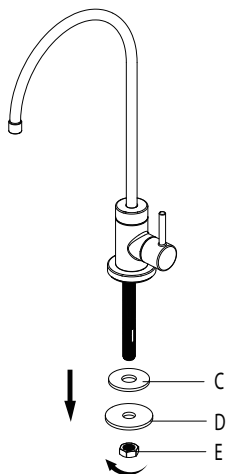
: U Wh8]a Ybg]cb



bgU`Yf`H]d.

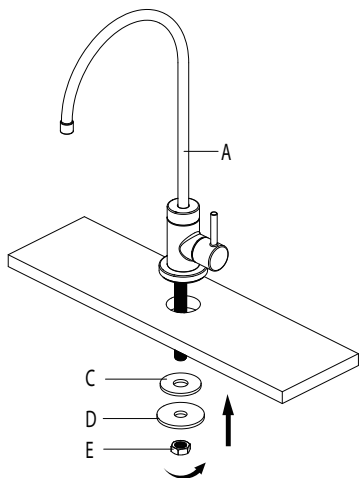
G\i hcZZa U]b`k UhYf`g] dd`mVYzcfY`]bgU`]b[`bYk `Z]i WH'

GhYd '%DfYdUf]b['Zcf']bgU'UH]cb



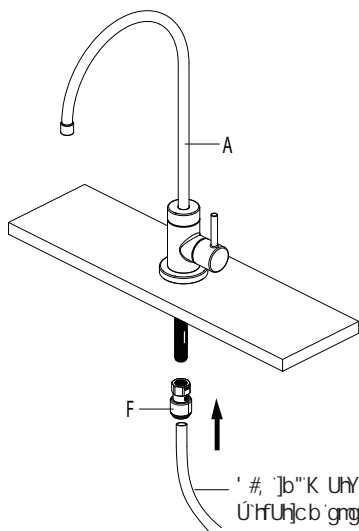
FYa cj Y'hY'fi VVYf'k Ug\Yf'f7Łza YHU'k Ug\Yf' f8ŁzUbX'a ci bh]b['bi hf9Ł:Zca 'hY'YbX'cZ'hY' ghi X"

GhYd '&' 'bgU']b['hY'Zi WhUggYa V'm



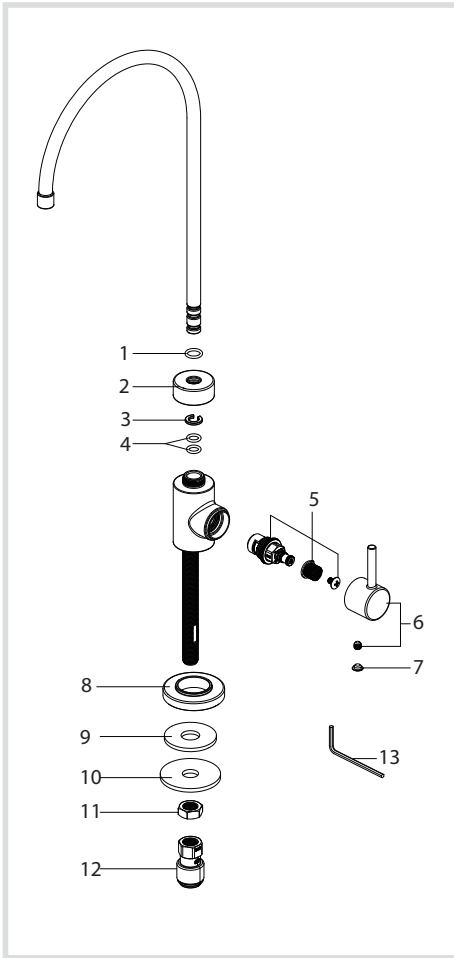
D'UW'hY'Zi WhUggYa V'mf5Ł:h'fci [\ 'hY' gy'YVW'X'\c'Y']b'hY'g]b_'cf'VŁ:i bhY'fcd''Cb' hY'i bXYfg]XY'cZ'hY'g]b_'cf'VŁ:i bhY'fcdz'g]XY' hY'fi VVYf'k Ug\Yf'f7ŁzUbX'a YHU'k Ug\Yf'f8Ł: c]b]c'hY'ghi X''h\fyUX'hY'a ci bh]b['bi hf9Ł: c]b]c'hY'ghi XzUbX'h] [\hYb'gy'W'fY'mii g]b[' mŁi f'k'fYbW''

GhYd" .7cbbYVh]b['hY'ei]W_ VtbbYVhUXUdrcf'UbX'k UHf'']bY



H'fYUX'hY'ei]W_ VtbbYVhUXUdrcf'fi E'cbrc'
 hY'YbX'cZ'hY'Z]i W'hUggYa V'mfE'g'i XzUbX'
 h][\hYb'gyW'fY'mi g]b['U'k fYbW''7cbbYVh'hY'
 '#]b''k UHf'']bY'Zca 'hY'U'fU]cb'gngh'a'
 V'mdi g]b['hY'']bY']brc'hY'VtbbYVtcf'fi E''
 Di ''Xck'b'cb'hY'#]b'']bY'g][\h'mtrc'
 Ybgj'fY'hY'ei]W_ VtbbYVhUXUdrcf'fi E'
 Yb[U[YX''

FYd'UWw YbhDUfng



FYd'UWw YbhDUfng'qgh	:]b]g\ #'7c'cf	Dufh.
1. O-ring		KP27168
2. Spout Nut	CH, SFS, MB, BG, BB, SFACB, SFSB*	KP27169
3. Locking Ring		KP27170
4. O-ring		KP27171
5. Cartridge		KP27172
6. Handle	CH, SFS, MB, BG, BB, SFACB, SFSB*	KP27173
7. Index	GR, BL*	KP27194
8. Flange	CH, SFS, MB, BG, BB, SFACB, SFSB*	KP27174
9. Rubber Washer		KP27175
10. Metal Washer		KP27176
11. Mounting Nut		KP27177
12. Connector		KP27178
13. Hex Wrench		KP27020

f8Ybch'gZUj WhVta dcbYbhVt'cf'cdh]cbg'
 7<! '7\ fca Y
 G: G! 'Gdch: fYY'GhU]b'Ygg GHY'
 A 6! 'A UhtY'6'UW
 6: '!'6fi g\YX'; c'X
 66! '6fi g\YX'6fUgg
 G: 576! 'Gdch: fYY'5bh]ei Y'7\Ua dU[bY'6fcbnY'
 G: G6! 'Gdch: fYY'6'UW'GhU]b'Ygg
 G: GA 6! 'Gdch: fYY'GhU]b'Ygg'GHY'#A UhtY'6'UW'
 66A 6! '6fi g\YX'6fUgg#A UhtY'6'UW
 ; F!; fYm
 6@! '6'UW

How to check the

When the check is completed, the following steps should be followed: 1. Remove the handle with a hex wrench (13). 2. Remove the cartridge (5) with an adjustable wrench. 3. Check for cracks.

PROBLEM	CAUSE	ACTION
When the handle is loose	Cartridge (5) has come loose	Remove index (7) and loosen set screw with hex wrench (13). Remove the handle. Tighten cartridge (5) with an adjustable wrench.
When the handle is cracked	Cartridge (5) is cracked	Remove index (7) and loosen set screw with hex wrench (13). Remove the handle. Tighten cartridge (5) with an adjustable wrench. Remove the cartridge (5). Check for cracks.

Codes/Standards Applicable:



NSF/ANSI 61



ASME A112.18.1
1.8GPM 6.8L/min maximum

Faucet - Lifetime Limited Warranty

Kraus® USA Plumbing, LLC ("Kraus") extends this warranty to the original purchaser for personal household use of the Faucet when purchased from an authorized Kraus dealer and in the location of original installation. This warranty is non-transferable.

Kraus warrants the structure and finish of the Faucet to be free from defects in material and workmanship under normal usage for as long as the original purchaser resides in the residence in which the Faucet was first installed.

Kraus warrants the Faucet's sprayhead assembly (including the engine, aerators, structure, restrictors, back flow preventers, sprayer hoses, braided supply line hoses which encompasses nylon, silicon and stainless steel) of the product to be free from defects in material and workmanship under normal usage for a period of one (1) year from the date of purchase.

Kraus warrants the Faucet's cartridge to be free from defects in material and workmanship under normal usage for a period of five (5) years from the date of purchase.

Any product reported to the authorized dealer or to Kraus as being defective within the warranty period will be repaired or replaced with a product of equal value at the option of Kraus.

Commercial Warranty

Kraus USA Plumbing, LLC ("Kraus") warrants its Products for a period of one (1) year to commercial purchasers of Products used in industrial, commercial and business applications.

Care and Cleaning Instructions

Certain cleaning products may cause damage to a Product's finish and use of the following on the Product will void this warranty:

- Abrasive cleaners such as powders, bleach, ammonia, alcohol or chlorine
- Abrasive pads, steel wool or wire brushes

What is Not Covered

This warranty does not cover Products that were discontinued when purchased or display Products, whether such Products were purchased at discount outlets, unauthorized dealers, and/or sold on clearance. This warranty does not cover any free gifts included with purchase.

This warranty does not cover damage resulting from neglect, misuse (including use for an unintended application), abuse, carelessness, accident, hard water or mineral deposits, exposure to corrosive materials, improper maintenance, alteration of the Product, or failure to follow care, cleaning or installation instructions enclosed with your Product. Kraus recommends that all Kraus Products be installed by a fully licensed and insured trade professional with experience in the installation of bathroom and/or kitchen manufactured goods.

How to Make a Warranty Claim

If you are a **consumer purchaser**, please contact a Kraus® Customer Service Representative at:
Kraus USA Plumbing, LLC
12 Harbor Park Drive
Port Washington, NY 11050
Toll-free 800-775-0703
Customerservice@kraususa.com

If you are a **plumbing contractor or trade professional**, please contact a Kraus Pro Representative at:
Kraus USA Plumbing, LLC
12 Harbor Park Drive
Port Washington, NY 11050
516-801-8955
Proservice@kraususa.com

If you are an **authorized partner**, please contact a Partner Support Representative at:
Kraus USA Plumbing, LLC
12 Harbor Park Drive
Port Washington, NY 11050
516-801-8954
Partnersupport@kraususa.com

In requesting warranty service, please be ready to provide your proof of purchase and a description of the problem. Shipping charges will be covered for the first (1) year of the warranted replacement part or product (HI, AK, and Puerto Rico shipping charges may apply). International shipping fees are not included.

Limitation on Duration of Implied Warranties

Please note that some states/provinces (including Quebec) do not allow limitations on how long an implied warranty lasts, so the below limitations may not apply to you. TO THE MAXIMUM EXTENT PERMITTED BY APPLICABLE LAW, ANY IMPLIED WARRANTY, INCLUDING THE IMPLIED WARRANTIES OF MERCHANTABILITY AND OF FITNESS FOR A PARTICULAR PURPOSE, IS LIMITED TO THE STATUTORY PERIOD OR THE DURATION OF THIS WARRANTY, WHICHEVER IS SHORTER.

Limitation of Special, Incidental or Consequential Damages

Please note that some states/provinces (including Quebec) do not allow the exclusion or limitation of special, incidental or consequential damages, so the below limitations and exclusions may not apply to you. TO THE MAXIMUM EXTENT PERMITTED BY APPLICABLE LAW, THIS WARRANTY DOES NOT COVER, AND KRAUS USA PLUMBING, LLC SHALL NOT BE LIABLE FOR, ANY SPECIAL, INCIDENTAL OR CONSEQUENTIAL DAMAGES (INCLUDING LABOR CHARGES TO REPAIR, REPLACE, INSTALL OR REMOVE THIS PRODUCT), WHETHER ARISING OUT OF BREACH OF ANY EXPRESS OR IMPLIED WARRANTY, BREACH OF CONTRACT, TORT, OR OTHERWISE.

This warranty gives you specific legal rights, and you may also have other rights which vary from state/province to state/province.

Download the Kraus Care & Maintenance Guide at:
<http://www.kraususa.com/maintenance>

IMPORTANT

Register Your Kraus Product

Activate Your Warranty

Access Premium Customer Support

Get Product Information

REGISTER TODAY

<http://www.kraususa.com/registration>



Kräus[®]
www.kraususa.com