

## KPF-3125

### Industrial Bridge Kitchen Faucet

#### Faucet Dimensions

Overall Height: 11 3/8" - 12 3/8" \*adjustable  
 Spout Height: 8 3/8" - 9 3/8" \*adjustable  
 Spout Reach: 9 3/4"

#### Features

- Bridge Faucet
- Brass Construction
- Lead Free Brass Waterway
- 360° Swivel Spout
- Flow Rate: 1.8 gpm (6.8L/min) @ 60 psi
- 3 or 4 Hole Installation
- Stream Function with Optional Side Sprayer
- Quarter Turn Ceramic Disk Cartridge
- 24" Integrated Nylon Waterlines
- Dome Shaped Screen Washer
- Quick Connect Sprayer Hose
- 13 3/4" Hose Length
- Connections 3/8" Compression
- Max Deck Thickness: 2 1/2"
- TPI of aerator in the Sprayer - M22 x 1

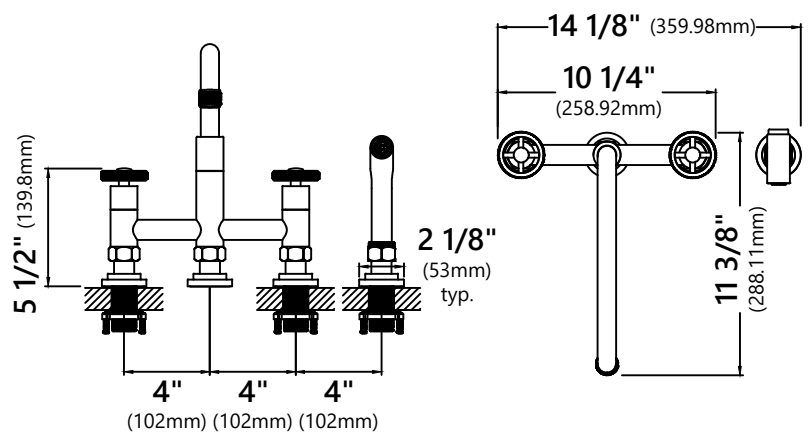
#### Available Finishes

- Spot Free Stainless Steel
- Matte Black
- Matte Black/Red
- Brushed Gold
- Matte Black/Grey Color Changing

#### CODES/STANDARDS:

##### Product Certification

cUPC (ASME A112.18.1/CSA B125.1)  
 NSF/ANSI Standard 61 and 372 certified by IAPMO  
 CAL GREEN, CEC, DOE



**NOTE:** Some Kitchen Faucets that do not have a pull out or pull down sprayer may be connected to a portable dishwasher. Pull out and pull down faucets should never be connected to portable dishwashers because potential pressure fluctuations during washing cycles cause hose ruptures or leaks.

#### Warranty

Kraus Limited Lifetime Warranty  
 see website for details [www.kraususa.com](http://www.kraususa.com)

