

KWU1111-23-PGM

23 Inch Undermount Workstation Single Bowl
Stainless Steel PVD Gunmetal Kitchen Sink

Kräus[®]

SPECIFICATION SHEET

Sink Dimensions

Overall Dimensions: 23" x 19"

Bowl Dimensions: 21" x 16"

Sink Depth: 10"

Features

- 16 Gauge Stainless Steel Construction
- Undermount Single Bowl Sink
- Required Minimum Cabinet Size: 27" Left to Right, 24" Front to Back
- Rear Off-Set Drain
- 3 1/2" Drain Opening
- NoiseDefend Undercoating and Sound Dampening Pads

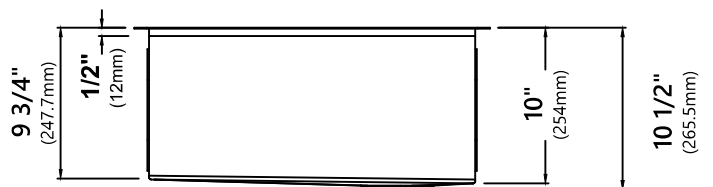
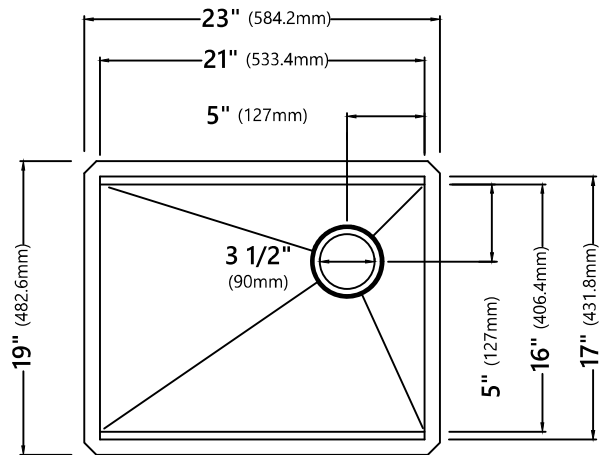
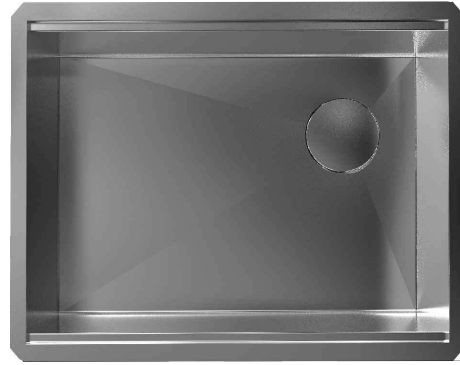
Accessories Included

- Strainer ST-1/PGM
- Cover Cap STC-2/PGM
- Bottom Grid KBG-UN1-23-PGM
- Cutting board KCB-WS101BB
- Cut-Out Template
- Mounting Hardware

CODES/STANDARDS:

Product Certification

cUPC (ASME A112.19.3/CSA B45.4)



NOTE: It is not recommended to install this sink with a negative reveal. Doing so will prohibit the use of any workstation accessories as they will not fit.

Warranty

Kraus Limited Lifetime Warranty

see website for details www.kraususa.com

Kraus USA Customer Service

1.800.775.0703 | customerservice@kraususa.com

REV. August 20, 2021