



# All-in-One Filtration Set

FS-1000

## **Congratulations on the purchase of your new Kraus® plumbing fixture!**

Please keep the box and packaging materials until your product is completely installed. If you have any questions, require technical assistance or have any problems with your product:



**DO NOT RETURN TO STORE**

**Please contact our Customer Service Team  
1-800-775-0703 / [customerservice@kraususa.com](mailto:customerservice@kraususa.com)**


Have the model number available and retain a copy of your receipt with purchase date for reference.


If for any reason this product does not meet your expectations, please be sure to repack this product in the original box and packaging material to avoid damage during transit.

Installation and use must comply with all state and local laws, regulations and codes.



### **Prior to Installation:**

- Make sure you have all necessary parts by checking the diagram and parts list. If any part is missing or damaged, please contact Kraus Customer Service at 800-775-0703 for a replacement.
- Read all instructions and safety warnings and ensure you have all tools, parts, and equipment necessary for a safe installation.
- Observe all state and local plumbing and building codes.
-  **CAUTION** - Make sure to only install this filtration system to the cold water supply. To reduce the risk of personal injury, do not install the system to the hot water supply.
- **IMPORTANT** - Replace the filter cartridges every 6 months or when the 700 gallon capacity has been exceeded, whichever comes first. You may also need to replace if you notice a decrease in water flow. The failure to follow this instruction may affect product performance and void the warranty.
- **IMPORTANT** - Flush the system for 10 minutes prior to first use and 5 minutes after prolonged periods of nonuse. The failure to follow this instruction may affect product performance and void the warranty.
- **NOTE:** Make sure to mark the installation date on the filter head and cartridges for your reference.

 **CAUTION** - To avoid the risk of personal injury, the system is to be supplied only with cold water.

## Tools Required



Adjustable Wrench



Drill



Tape Measure



Safety Goggles



Utility Knife



Permanent Marker



Cut Resistant Gloves

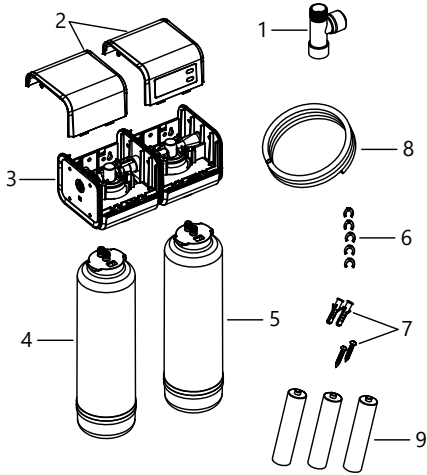
## Care & Maintenance

\* To keep the product clean & shining, follow the steps below:

1. Rinse with clean water & dry with a soft cloth.
2. Do not clean with soaps, acid, polish, abrasives or harsh cleaners as use of such products may affect product performance or void the warranty.
3. Do not use cloth with a coarse surface.
4. Unscrew the aerator and rinse clean when necessary.

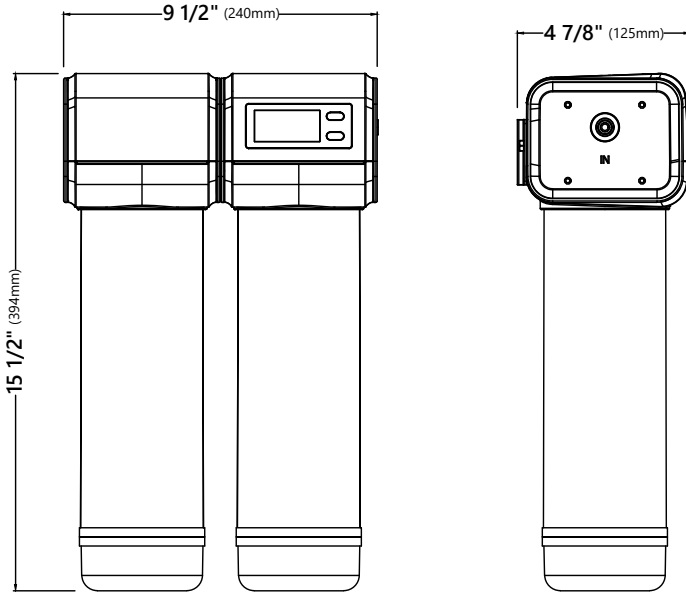


## Diagram and Parts List



1. Tee Adapter
2. Covers
3. Manifold
4. Polypropylene Cartridge
5. Compressed Carbon Cartridge
6. Quick Connect Lock Tab
7. Mounting Screw & Anchor x 2
8. Tubing 1/4" x 8'
9. 3x AAA Batteries

## Dimensions and Specifications



Flow Rate 0.7GPM

Capacity: 700 gallons

**NOTE:** Depending on local water quality and use environment, the actual filtered water flow rate and total filtered water volume will vary.

Min static pressure: 40 psi (275.8 kPa)

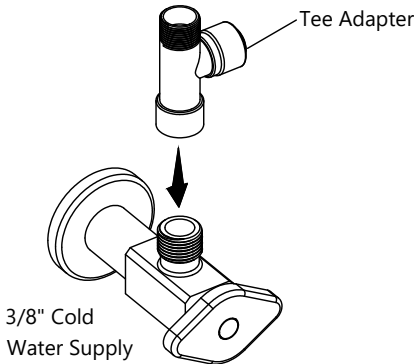
Max static pressure: 120 psi (827.4 kPa)

Inlet Water Temperature 41° - 100° F

**⚠ CAUTION** - Do not use with water that is micro biologically unsafe or of unknown quality without adequate disinfection before or after the system.

## Step 1.

---



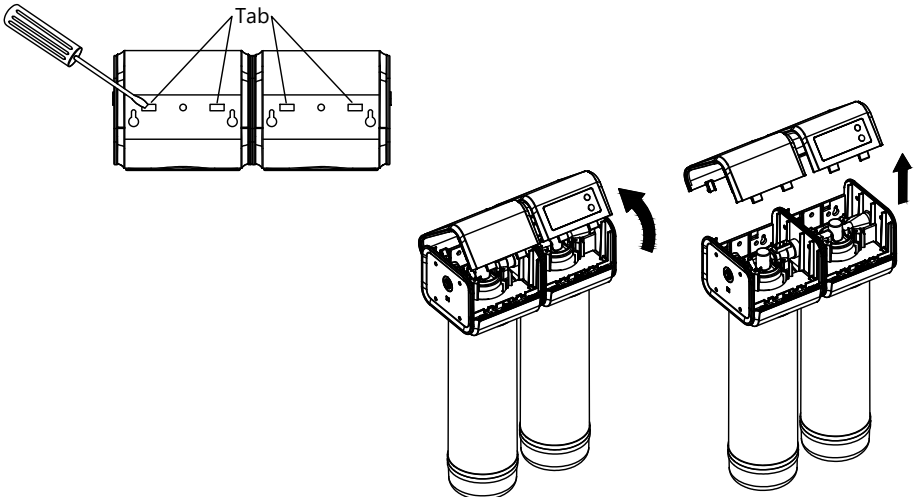
Turn off the cold water supply and turn on the faucet to relieve the water pressure and drain water from the water line. Disconnect the cold water supply line from the cold water supply valve. Install the tee adapter to the cold water supply valve.

**NOTE:** Make sure to check for washer in the Tee Adapter before connecting to the angle stop.

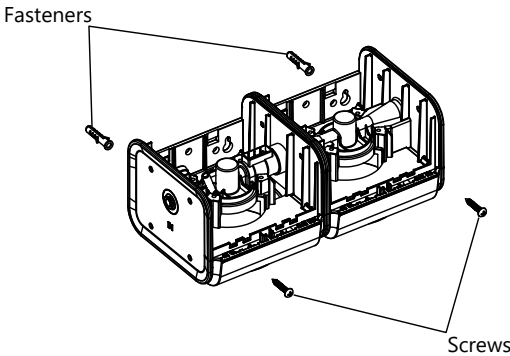
## Step 2.

---

Using a flathead screwdriver push the 4 tabs in on the back of the manifold to remove the covers. Once pushed in, lift up and the covers will slide off.



### Step 3.

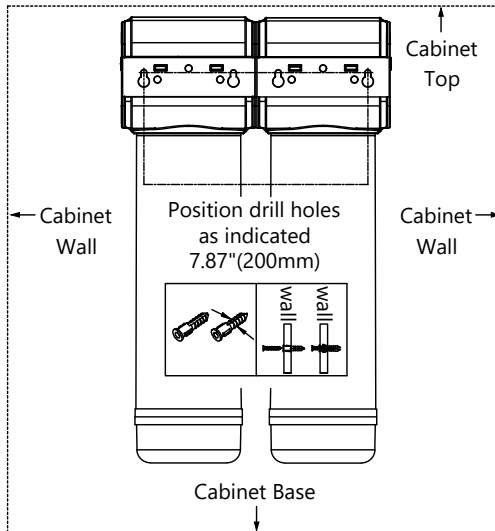


Using the mounting template, mount the filter head. Align the mounting holes of the filter head at the proper mounting location. Mark the hole locations with a permanent marker. Place the filter head aside and pre-drill the mounting holes, if necessary, depending on the fasteners selected. Partially thread the fasteners into the cabinet wall and slide the filter head over the fasteners. Secure the filter head by tightening the fasteners.

**CAUTION** - To avoid the risk of personal injury, wear safety glasses and cut resistant gloves with non-slip grip when drilling.



**NOTE:** This system is designed for vertical installation. Make sure that the bottom of the filter cartridge will be at least 2" from the bottom of the cabinet.



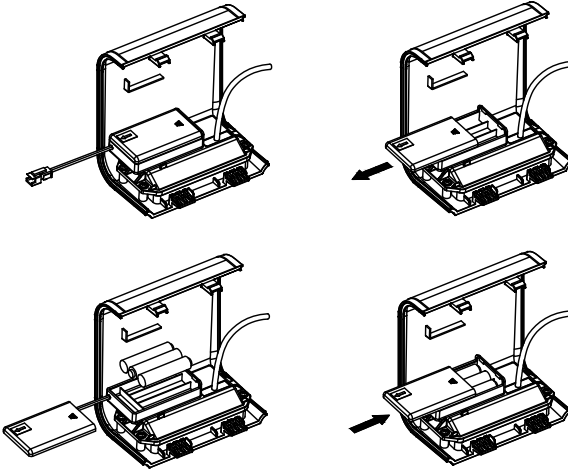
MOUNTING TEMPLATE



## Step 4.

---

Install the batteries into the back of the cover behind the LCD screen. Remove the battery cover. Place batteries inside and slide the cover back on. Each time the batteries die when you're using your filtration system you will need to remove the system from the cabinet wall to replace.



## Step 5.

---

Connect the tubing. Wet one end of the tubing sections with water and press it firmly into the inlet port of the filter head. Wet the other end of the tubing and press it firmly into the tee adapter. Repeat for the other end of tubing, pressing one end into the outlet port of the filter head and the other end into the filtered water faucet supply.

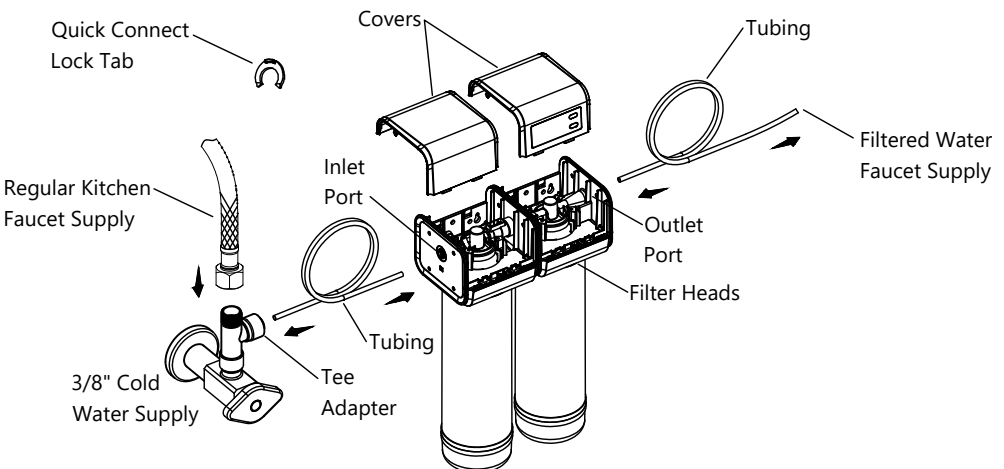
**IMPORTANT:** Use the quick connect lock tabs to prevent any accidental tube release.

Connect the filter water faucet inlet to the filtered water faucet supply. If you have a regular kitchen faucet, connect it to the top of the tee. Place the covers onto the filter head. You may secure the tubing to the cabinet wall using clamps and hardware (not provided).

**IMPORTANT:** Water from the supply line must be connected to the filter head inlet. Water from the filter head outlet must be connected to the faucet. System performance and filter capacity will be compromised if connected incorrectly.

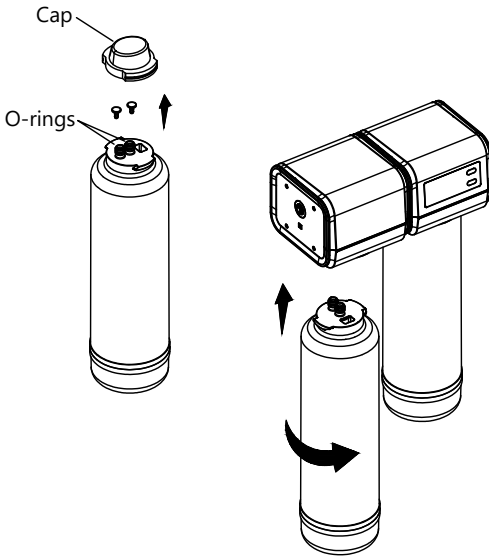
**NOTE:** 8 feet of tubing is provided. When cutting the tubing use a sharp utility knife to make clean and square cuts. Cut the tubing to the lengths needed between the faucet and filtration system and the filtration system and water supply.

**⚠ CAUTION** - To avoid the risk of personal injury, wear cut resistant gloves with non-slip grip when cutting.



## Step 6.

---



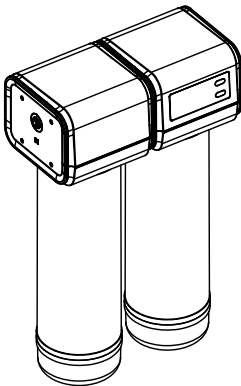
Install the filter cartridges. Write the date on the new filter cartridge label. Remove the cap from the filter cartridge and discard. Inspect the cartridge for any damage. Make sure both sets of O-rings are present and are positioned correctly. Align the filter cartridge as shown and press upward into the filter head. Rotate the filter cartridge counterclockwise 90° until it is secure in the filter head. Repeat for the second cartridge.

**IMPORTANT:** The Polypropylene Cartridge must be on the left side. The Compressed Carbon Cartridge must be on the right side below the LCD screen.

**IMPORTANT:** Replace cartridges at the same time to maintain a proper performance.

## Step 7.

---

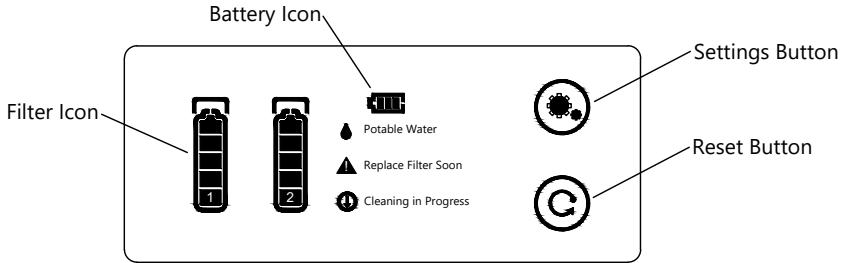


Turn on the cold water supply valve and check all connections for leaks. Run the water for at least 5 minutes to remove any air and carbon particles in the system.

## Step 8.

### Display & Reset:

After installing new filters push and hold the settings button for 3 seconds. Filter 1 icon will blink. Push the reset button and hold for 3 seconds and the icon will reset to full capacity. Push the settings button again and filter 2 icon will blink. Push and hold the reset button for 3 seconds and the icon will reset to full capacity. Push the settings button to exit the reset mode.



### Flush:

When installing new filters, you must flush for a minimum of 10 minutes, the flush icon will blink until done. If filters have not been used for more than 3 days, the flush icon will blink. Flush for a minimum of 5 minutes.

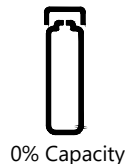
### Potable Water Icon:

The Potable Water icon will blink when the filter is ready for use.

**⚠ CAUTION** - Do not drink the water before the Potable Water icon blinks.

### Filter Icon:

The Filter Icon represents the 2 filters for the FF-1000 filter unit. Indication of 5 bars show a new filter, 100% capacity, 4 bars 50-75% capacity, 3 bars 25-50% capacity, 2 bars 5-25% capacity, 1 bar less than 5% capacity. When below a 5% capacity the Filter Icon will blink, and the unit will buzz every 6 seconds when the water is flowing. At 0% filter capacity the icon will blink constantly.



### Battery Icon:

When the batteries reach below 10% capacity the Battery Icon will blink and a warning light will come on.



### Cleaning in Progress Icon:

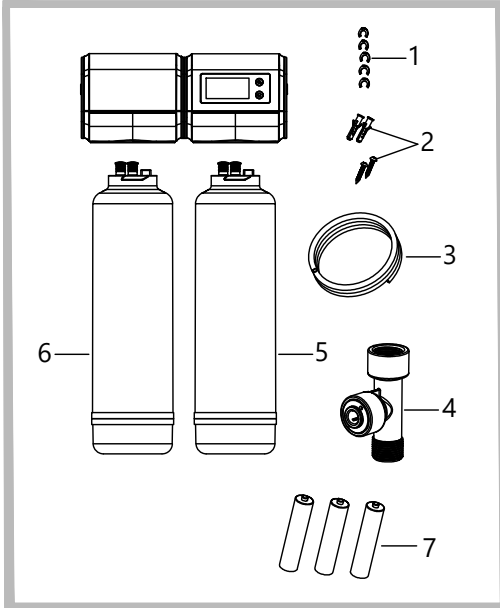
The conditions that initiate the cleaning process are when the filter has not been used for three days or after the filters are replaced. If any of the two conditions are met, the "cleaning" starts. The "Cleaning in Progress" icon starts to blink. The cleaning takes ten minutes. It stops blinking after ten minutes when the cleaning is completed.

## Troubleshooting

If you have followed the instructions carefully and your faucet still does not work properly, take the following corrective steps:

PROBLEM	CAUSE	ACTION
Water leaks between the filter head and the filter cartridge.	An O-ring is damaged, dirty, or out of place.	Turn off the water supply, and relieve water pressure. Remove the filter cartridge and inspect the O-rings for damage or debris, and ensure that the O-rings are in place. Reinstall the filter cartridge, turn on the water supply, and check for water leakage.
Water leaks at a tubing connection.	Tubing is not cut square, or is damaged or crimped.	Turn off the water supply, and relieve water pressure. Remove the Quick Connect Lock Tab. Press in the collar around the fitting at the leak, and pull the tubing to remove. Use a sharp utility knife to cut 1/2" (13 mm) off the end of the tubing. Reinsert the tubing into the fitting. Turn on the water supply and check for leakage.
Water leaks at a threaded connection.	The connection is damaged or dirty.	Turn off the water supply, and relieve water pressure. Disconnect the fitting, and inspect the seal for damage or debris. Remove any debris or replace the damaged fitting. Securely reconnect the fitting. <b>IMPORTANT - DO NOT overtighten.</b> Turn on the water supply and check for leakage.

## Replacement Parts



Replacement Parts List	Part #	Source
1. Quick Connect Lock Tab	KP26063	DMT
2. Mounting Screws & Anchors	KP26061	Keruichuang & Shengfa
3. Tubing 1/4" x 8'	KP26062	Zhongdenuo
4. Tee Adapter	KP26064	Meigu
5. Compressed Carbon Cartridge	KF-1CB	Filtertech
6. Polypropylene Cartridge	KF-1PP	Filtertech
7. 3x AAA Batteries*		Regular compliance

\* - Batteries provided with initial purchase only

This system has been tested according to NSF/ANSI 42, 53 and 401 for reduction of the substances listed below. The concentration of the indicated substances in water entering the system was reduced to a concentration less than or equal to the permissible limit for water leaving the system as specific in NSF/ANSI 42, 53 and 401.

## Performance Data Sheet

Model: FS-1000

Replacement Filters: FC-100PP and FC-100CB

Substance	Influent Challenge Concentration	Minimum % Reduction or Maximum Product Water Concentration Requirement
chlorine	2.0 mg/L $\pm$ 10%	$\geq$ 50%
particulate, Class I particles 0.5 to $<1 \mu\text{m}$	at least 10,000 particles/mL	$\geq$ 85%
lead	0.15 mg/L $\pm$ 10%	0.005 mg/L
Bisphenol A	2000 ng/L $\pm$ 20%	300 ng/L
Estrone	140 ng/L $\pm$ 20%	20 ng/L
Ibuprofen	400 ng/L $\pm$ 20%	60 ng/L
Naproxen	140 ng/L $\pm$ 20%	20 ng/L
Nonylphenol	1,400 ng/L $\pm$ 20	200 ng/L
Phenytoin	200 ng/L $\pm$ 20%	30 ng/L
Chloroform (VOC Surrogate)	0.300 mg/L $\pm$ 10%	$\geq$ 95%
PFOA (perfluorooctanoic acid CAS #335-67-1)	0.0015 mg/L $\pm$ 10%	0.00007 <sup>2</sup> mg/L
PFOS (perfluorooctane sulfonate CAS #1763-23-1)	0.0015 mg/L $\pm$ 10%	0.00007 <sup>2</sup> mg/L

Requirement in Iowa - The seller shall retain the signed PDS on file at the seller's place of business for at least two years:

Buyer \_\_\_\_\_ Date \_\_\_\_\_

Seller \_\_\_\_\_ Date \_\_\_\_\_

# Performance Data Sheet

(based on VOC surrogate testing)

Substance	Influent Challenge Concentration mg/L	Minimum % Reduction or Maximum Product Water Concentration Requirement mg/L
alachlor	0.050	0.001
atrazine	0.100	0.003
benzene	0.081	0.001
carbofuran	0.190	0.001
carbon tetrachloride	0.078	0.0018
chlorobenzene	0.077	0.001
chloropicrin	0.015	0.0002
2,4-D	0.110	0.0017
dibromochloropropane (DBCP)	0.052	0.00002
o-dichlorobenzene	0.080	0.001
p-dichlorobenzene	0.040	0.001
1,2-dichloroethane	0.088	0.0048
1,1-dichloroethylene	0.083	0.001
cis-1,2-dichloroethylene	0.170	0.0005
trans-1,2-dichloroethylene	0.086	0.001
1,2-dichloropropane	0.080	0.001
cis-1,3-dichloropropylene	0.079	0.001
dinoseb	0.170	0.0002
endrin	0.053	0.00059
ethylbenzene	0.088	0.001
ethylene dibromide (EDB)	0.044	0.00002
haloacetonitriles (HAN)		
bromochloroacetonitrile	0.022	0.0005
dibromoacetonitrile	0.024	0.0006
dichloroacetonitrile	0.0096	0.0002
trichloroacetonitrile	0.015	0.0003
haloketones (HK)		
1,1-dichloro-2-propanone	0.0072	0.0001
1,1,1-trichloro-2-propanone	0.0082	0.0003
heptachlor	0.025	0.00001
heptachlor epoxide	0.0107	0.0002
hexachlorobutadiene	0.044	0.001
hexachlorocyclopentadiene	0.060	0.000002
lindane	0.055	0.00001
methoxychlor	0.050	0.0001
pentachlorophenol	0.096	0.001
simazine	0.120	0.004
styrene	0.150	0.0005
1,1,2,2-tetrachloroethane	0.081	0.001
tetrachloroethylene	0.081	0.001
toluene	0.078	0.001
2,4,5-TP (silvex)	0.270	0.0016
tribromoacetic acid	0.042	0.001
1,2,4-trichlorobenzene	0.160	0.0005
1,1,1-trichloroethane	0.084	0.0046
1,1,2-trichloroethane	0.150	0.0005
trichloroethylene	0.180	0.001
trihalomethanes (includes)		
chloroform (surrogate chemical)	0.300	0.015
bromoform		
bromodichloromethane		
chlorodibromomethane		
xylenes (total)	0.070	0.001

## Codes/Standards Applicable:



The system is certified by IAPMO R&T according to NSF/ANSI 42 standard for material safety, structural integrity, chlorine, particulate I; NSF/ANSI 53 standard for Lead, VOC and PFOA/PFOS reduction; NSF/ANSI 401 standard for Bisphenol A, Phenytoin, Ibuprofen, Naproxen, Estrone, Nonylphenol and NSF/ANSI 372 for low lead compliance. See Performance Data Sheet for individual contaminants and reduction performance.

System conforms to NSF/ANSI 42, 53, 401 and 372 for the specific performance claims as verified and substantiated by test data.

While testing was performed under standard laboratory conditions, actual performance may vary.

### **All-in-One Filtration Set - Limited Warranty**

Kraus<sup>®</sup>USA Plumbing, LLC extends this warranty to the original consumer and commercial purchasers of the All-in-One Filtration Set (the "Product") when purchased from an authorized Kraus dealer and in the location of original installation. This warranty is non-transferable.

Kraus warrants the structure and finish of the Product to be free from defects in material and workmanship under normal usage for a period of one (1) year from the date of purchase by a trade professional or end-user of the Product from an authorized Kraus dealer.

Any product reported to the authorized dealer or to Kraus as being defective within the warranty period will be repaired or replaced with a product of equal value at the option of Kraus.

### Care Instructions

The filters must be replaced every six (6) months or when the 700 gallon capacity has been exceeded, whichever comes first. You may also need to replace if you notice a decrease in water flow.

### What is Not Covered

This warranty does not cover Products that were discontinued when purchased or display Products, whether such Products were purchased at discount outlets, unauthorized dealers, and/or sold on clearance. This warranty does not cover any free gifts included with purchase.

This warranty does not cover damage resulting from neglect, misuse (including use for an unintended application), abuse, carelessness, accident, hard water or mineral deposits, exposure to corrosive materials, improper maintenance, alteration of the Product, failure to follow care, cleaning or installation instructions enclosed with your Product. Kraus recommends that all Kraus Products be installed by a fully licensed and insured trade professional with experience in the installation of bathroom and/or kitchen manufactured goods.



## How to Make a Warranty Claim

If you are a **consumer purchaser**, please contact a Kraus Customer Service Representative at:

Kraus® USA Plumbing, LLC  
12 Harbor Park Drive  
Port Washington, NY 11050  
Toll-free 800-775-0703  
Customerservice@kraususa.com

If you are a **plumbing contractor or trade professional**, please contact a Kraus Pro Representative at:

Kraus USA Plumbing, LLC  
12 Harbor Park Drive  
Port Washington, NY 11050  
516-801-8955  
Proservice@kraususa.com

If you are an **authorized partner**, please contact a Partner Support Representative at:

Kraus USA Plumbing, LLC  
12 Harbor Park Drive  
Port Washington, NY 11050  
516-801-8954  
Partnersupport@kraususa.com

In requesting warranty service, please be ready to provide your proof of purchase and a description of the problem. Shipping charges will be covered for the first (1) year of the warranted replacement part or product (HI, AK, and Puerto Rico shipping charges may apply). International shipping fees are not included.

## Limitation on Duration of Implied Warranties

Please note that some states/provinces (including Quebec) do not allow limitations on how long an implied warranty lasts, so the below limitations may not apply to you. TO THE MAXIMUM EXTENT PERMITTED BY APPLICABLE LAW, ANY IMPLIED WARRANTY, INCLUDING THE IMPLIED WARRANTIES OF MERCHANTABILITY AND OF FITNESS FOR A PARTICULAR PURPOSE, IS LIMITED TO THE STATUTORY PERIOD OR THE DURATION OF THIS WARRANTY, WHICHEVER IS SHORTER.

## Limitation of Special, Incidental or Consequential Damages

Please note that some states/provinces (including Quebec) do not allow the exclusion or limitation of special, incidental or consequential damages, so the below limitations and exclusions may not apply to you. TO THE MAXIMUM EXTENT PERMITTED BY APPLICABLE LAW, THIS WARRANTY DOES NOT COVER, AND KRAUS USA PLUMBING, LLC SHALL NOT BE LIABLE FOR, ANY SPECIAL, INCIDENTAL OR CONSEQUENTIAL DAMAGES (INCLUDING LABOR CHARGES TO REPAIR, REPLACE, INSTALL OR REMOVE THIS PRODUCT), WHETHER ARISING OUT OF BREACH OF ANY EXPRESS OR IMPLIED WARRANTY, BREACH OF CONTRACT, TORT, OR OTHERWISE.

This warranty gives you specific legal rights, and you may also have other rights which vary from state/province to state/province.

**Download the Kraus Care & Maintenance Guide at:**  
<http://www.kraususa.com/maintenance>

# IMPORTANT

## Register Your Kraus® Product

**Activate** Your Warranty

**Access** Premium Customer Support

**Get** Product Information

**REGISTER TODAY**

<http://www.kraususa.com/registration>



**Kräus®**  
www.kraususa.com