

Product Description and Measurements

Glass Vessel Sink and Faucet Combo

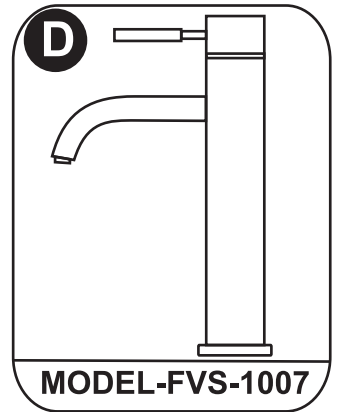
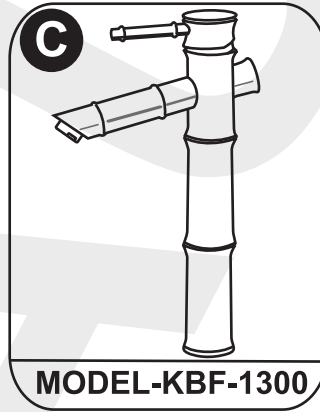
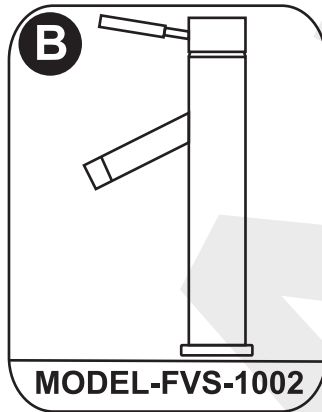
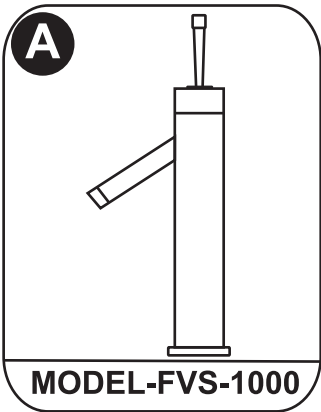
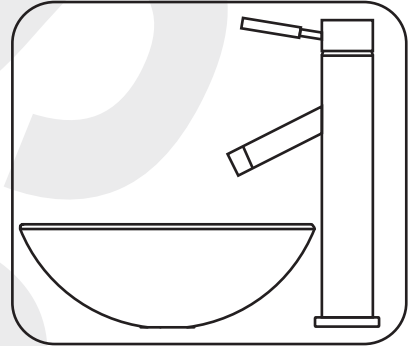
- ★ Kraus Collection
- ★ Glass Vessel Sink & Faucet Combo
- ★ Glass Thickness: 12mm-19mm
- ★ Diameter: 14" – 17"
- ★ For Above Counter Installation

A *Bruno*

B *Sheven*

C *Bamboo*

D *Ramus*



Thank You

Dear Valued Customer,
Kraus would like to take this opportunity to thank you for this purchase. It is our sincere hope that you are completely satisfied with your new product. We welcome any questions or comments that you may have and look forward to assisting you with your accessory needs in the future.

Sincerely,
Kraus customer service department.

Prior To Installation Steps

1. Unpack your new product and ensure that all the parts are included in the packaging. Keep the product in its original box until you ready to install it.
2. The counter top must be flat.
3. Shut off the water supply.
4. Observe all plumbing and building codes in your area.
5. It is recommended that installation of the product be done by a professional plumber.

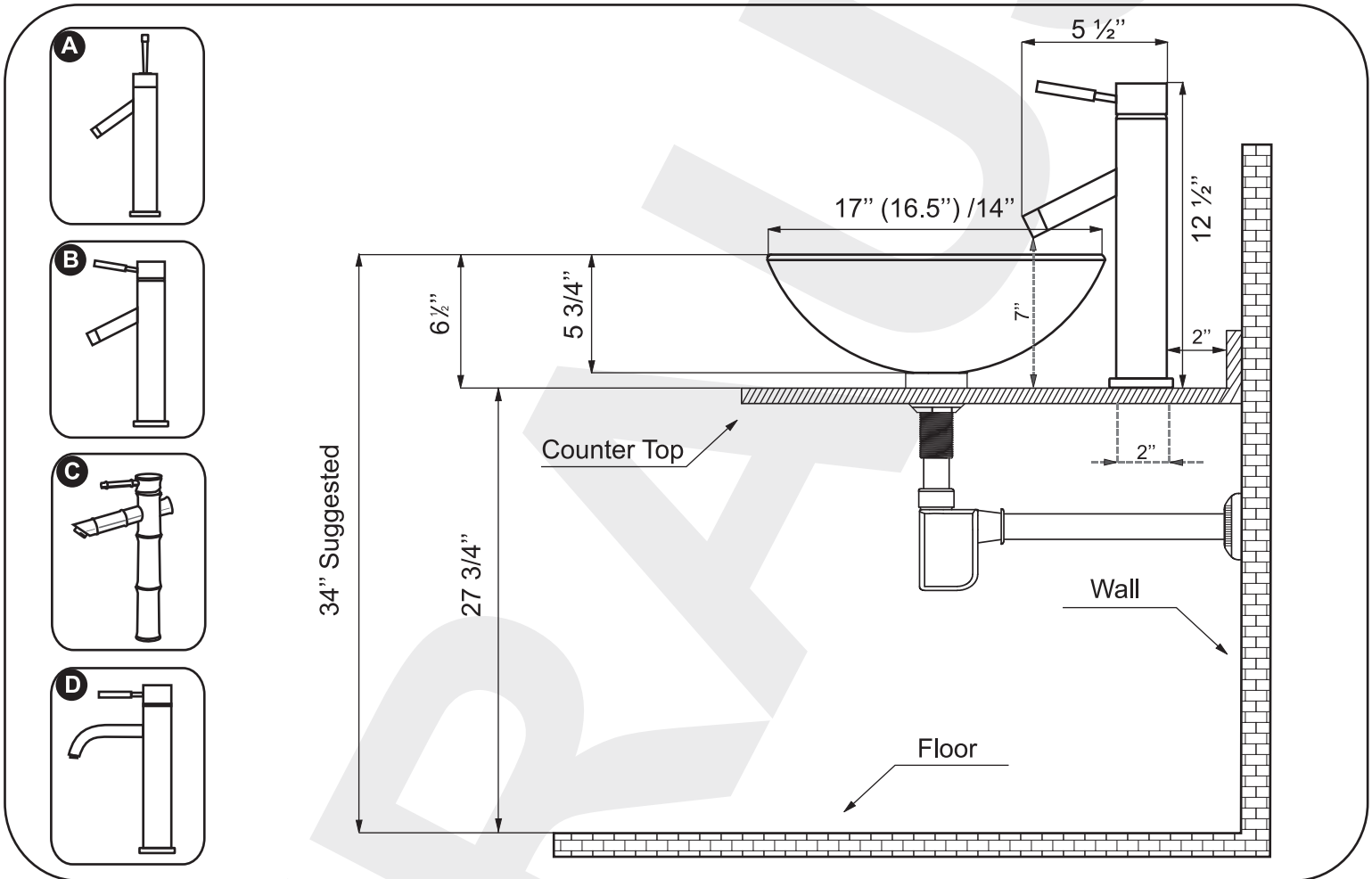
Faucet Care and Maintenance

In order to maintain your faucet's original finish simply rinse with warm clean water and blot dry with a clean soft cloth only. Avoid using corrosive detergents, polishers, scrapers or any other abrasive materials. In case a buildup of dirt or mineral deposits should occur, gently remove it using a mild detergent or a mixture of vinegar with water to soften the build up and clear it away. Rinse thoroughly and immediately with water to assure no detergent remains on the surface and dry with a soft cloth.

At Kraus your satisfaction with quality and durability of our products is extremely important to us. Therefore, please follow the care and maintenance instructions in order to prolong the lifespan of your faucet.

Rough-In Dimensions

PLEASE NOTE: Selected Tempered Glass Products and Collections are handcrafted. As a result slight variations in size and shape are to be expected. We recommend not cutting any surfaces based on the sizes and dimensions provided until the product is received. KrausUSA shall not be held accountable for any custom installation issues. Under no circumstances will KrausUSA be held liable for the cost of the repair or replacement of installation materials including but NOT limited to, marble, stone, granite countertops, tiles, etc. Deviations from recommended installations, misuse, neglect, abuse, modifications or alterations may void your warranty. We advise that you comply with Local Building Codes as they may vary from state to state.



Vessel Sink Care and Maintenance

Kraus glass vessel sinks are hand crafted from the highest quality tempered glass, and are extremely durable and resistant to corrosion. However, despite the durability and strength of our sinks, they may still be damaged if proper measures are not taken in their care and maintenance.

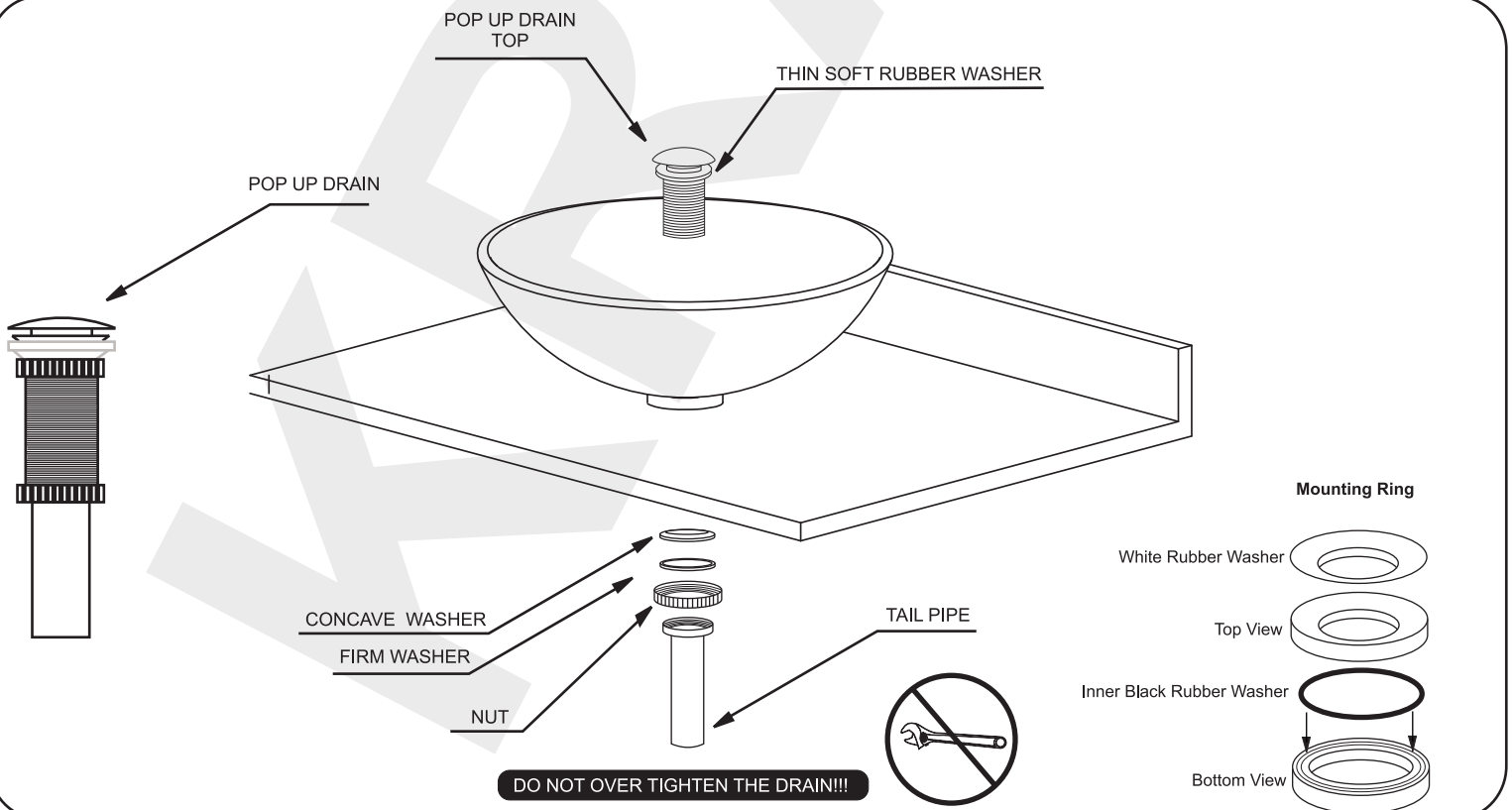
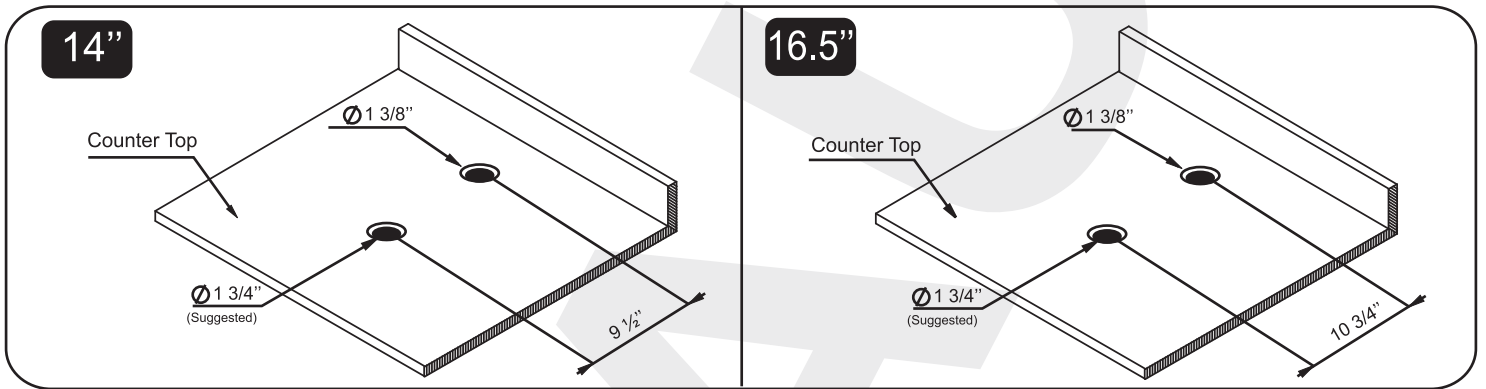
In order to prolong the life of your glass sink, simple daily maintenance is the key to keep your sink in its original condition. We suggest cleaning your sink after each use with a soapy sponge, then rinsing thoroughly with warm water. You may dry it with a towel or a dry cloth. This will eliminate water spots and streaks while the sink is in use.

Do not be alarmed in case you begin to notice stains on your glass sink. They are most often caused by various minerals contained in your water supply. These mineral deposits settle in the surface of the glass and may cause the surface to stain. In order to eliminate stain spots, use a non-abrasive or mild-abrasive cleaner as mentioned earlier. Remember not to apply force while cleaning your glass sink. Do not scrub the glass, as you may scratch the surface of the sink. When finished, rinse thoroughly with warm water and dry with a towel or a soft cloth.

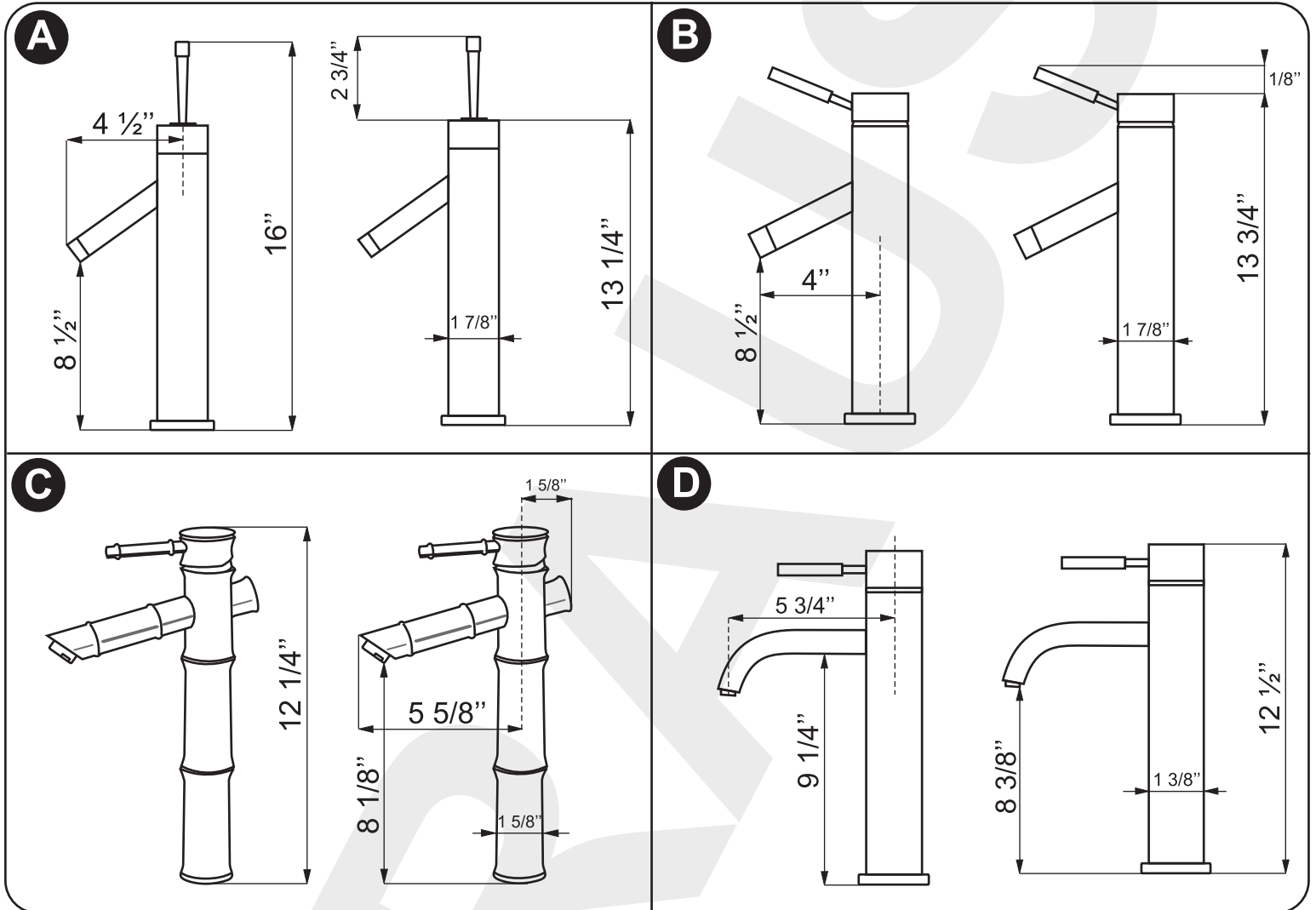
At KrausUSA your satisfaction with quality and durability of our products is extremely important to us. Therefore, we hope that you try to avoid prolonged sink contact with products containing high concentrations of acids, dishwashing detergents, or bleaches containing chlorine. These products may stain the surface of the sink. Rinse thoroughly if these products do come in contact with the sink surface and dry it with a towel or a soft cloth.

Tempered Glass Vessel

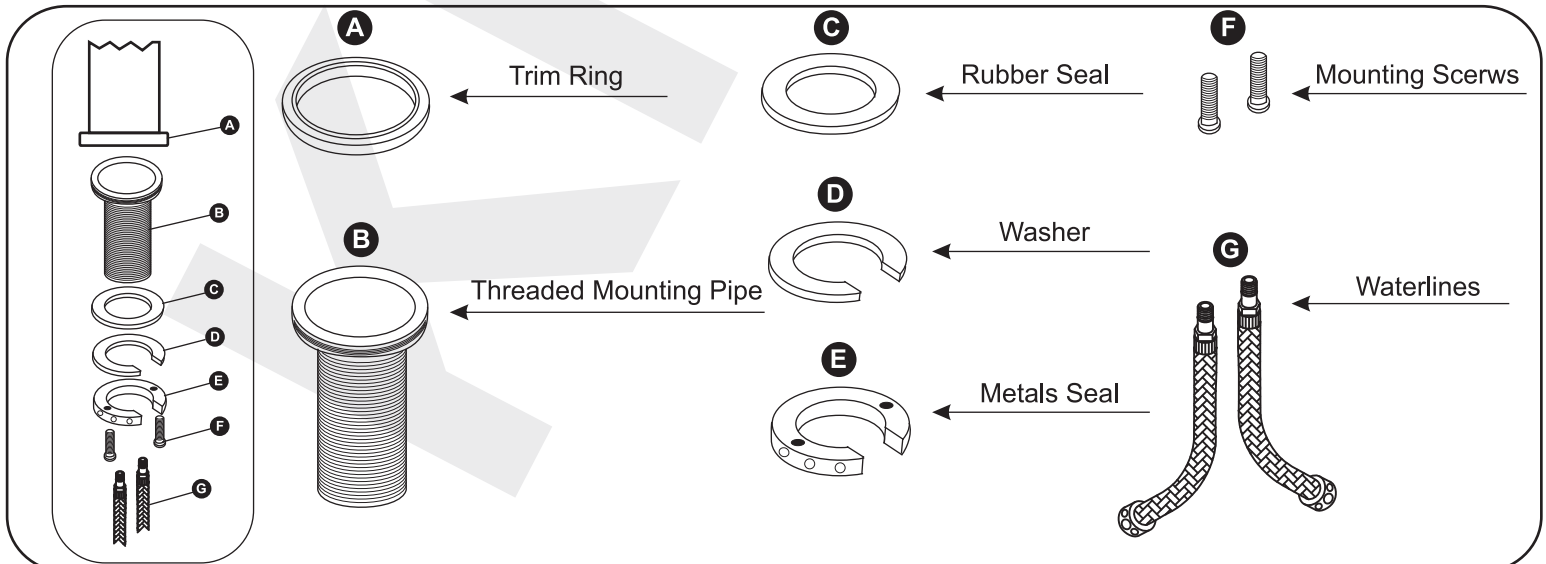
Prepare the counter top by drilling a 1³/₄" diameter drain hole at the desired location.
 Prepare the counter top by drilling a 1³/₈" diameter faucet hole.
 Install mounting ring.
 Place the vessel on the mounting ring or counter top as shown below.



Installation Instructions



Faucet Parts





Glass Sink Installation

STEP 1. Make sure the vessel sink is not scratched, chipped or broken prior to installation.

STEP 2. Check to see if your set contains the following parts:

- Vessel sink
- Pop up drain (optional, may be sold separately)
- Mounting Ring (optional, may be sold separately)

STEP 3. Locate and place the mounting ring over the drain hole with the rubber side facing down and the white washer side facing up.

STEP 4. Gently set your sink on top of the mounting ring.

STEP 5. Locate and disassemble your pop up drain in the following order:

- unscrew the tail piece
- unscrew the brass nut
- remove the firm washer
- remove the concave washer, leaving the top thin rubber washer on.

STEP 6. From above the countertop, insert the drain body into the 1 3/4" drain opening of your sink.

STEP 7. From underneath the countertop, insert the concave white rubber washer onto the drain. Pushing the washer all the way up until it is in contact with the countertop.

STEP 8. Insert the firm washer onto the drain body until it comes into contact with the concave white rubber washer.

STEP 9. Screw the brass nut onto the drain body until it touches the firm washer .

Please Note: Installation should all be done by hand. No tools are necessary or required.

Faucet Installation

Please remember to turn off the hot and cold valves prior to installation.

STEP 1. Check to see that your set contains the following parts:

- The faucet
- Hot and cold water lines
- One rubber washer
- One metal washer
- One mounting nut
- Two mounting bolts (located on the mounting nut)

STEP 2. Remove the mounting hardware (washers, mounting nut with mounting bolts) from the faucet.

STEP 3. While holding the faucet facing you locate the two openings inside the base of the faucet.

The left opening is for the hot water supply line and the right opening is for the cold water supply line

STEP 4. Gently screw in the hot and cold water lines. Make sure the waterlines are tightly screwed in place.

STEP 5. Insert the waterlines through the faucet opening in the countertop and place the faucet on the countertop.

Make sure the faucet is facing forward and is aligned properly.

STEP 6. From underneath the countertop, place the rubber washer first so that it sits on top of the metal washer.

STEP 7. Screw the mounting nut onto the faucet from underneath the countertop.

STEP 8. Tighten the mounting bolts (located on the mounting nut) until the faucet is held tightly in place.

STEP 9. Connect the hot and cold water supply lines to the corresponding water supply valves.

About Kraus

Kraus is a leading designer and manufacturer of a broad selection of unique bathroom fixtures and accessories, including vessel sinks, faucets, showers, vanities and bathroom accessories. Kraus incorporates its distinguished style with superior functionality and affordability maintaining the highest standards of quality in its vast product line.

The Kraus brand name represents a fusion of leading-edge technology and an eye toward design. Our design team continuously explores broader markets, seeking new trends while maintaining superior quality at unprecedented prices. The Kraus collection has the widest selection of exquisite styles for any type of décor, ranging from modern residences to countryside homes.

For Kraus, durability and reliability have always been vital components for achieving the highest standards of excellence. Every model we offer undergoes rigorous testing and inspection prior to distribution.

The key element of our success is our customers' satisfaction. As a result, our products are in high demand with shoppers worldwide.