

# KBU24

## 32 Inch Undermount Double Bowl Stainless Steel Kitchen Sink

### Sink Dimensions

Overall Dimensions: 32" x 20 5/8"  
Larger Bowl Dimensions: 15 3/4" x 18 5/8"  
Smaller Bowl Dimensions: 13" x 16 1/2"  
Sink Depth: 8 3/4"

### Features

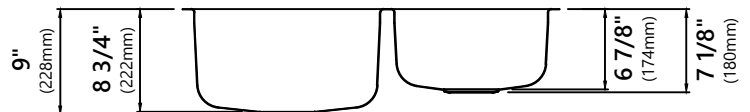
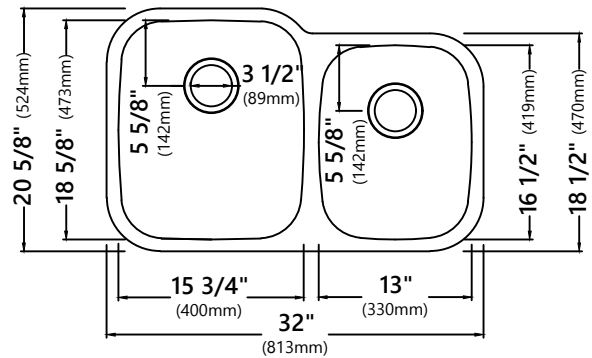
- 16 Gauge Stainless Steel Construction
- Double Bowl Undermount Pressed Sink
- Required Minimum Cabinet Size: 36" Left to Right, 24" Front to Back
- Center-Set Drain
- 3 1/2" Drain Opening
- NoiseDefend Undercoating and Sound Dampening Pads

### Accessories Included

- Basket Strainer BST-1 & ST-1 x 2
- Bottom Grids KBG-24-1 and KBG-24-2
- Cut-Out Template
- Mounting Hardware
- Towel

### CODES/STANDARDS:

Product Certification  
cUPC (ASME A112.19.3/CSA B45.4)



### Warranty

Kraus Limited Lifetime Warranty  
see website for details [www.kraususa.com](http://www.kraususa.com)