

Kraus KGW-1700

Single Lever Vessel Glass Waterfall Bathroom Faucet

Chrome / Gold / Oil Rubbed Bronze / Satin Nickel Finishes

Kraus®

SPECIFICATION SHEET

Material

Body: Brass
Handle: Zinc
Waterway: Brass

Faucet Type

Vessel

Cartridge

Brand: Gear
Size: 35mm
Style: Lever

Mounting

Holes: 1 Hole
Type: Brass Nut

Waterlines

Type : Neoperl
Flexible
Connections: 3/8"
Materials: Braided Nylon
Included
Factory Installed

Flow Regulator

Brand: Neoperl
Name: MR05
Flow Rate: 2.2gpm (8.3L/min) @ 60 psi

Dimensions

Faucet Dimensions: 12 3/4" x 6 1/8" x 2 1/8"

Accessories Included

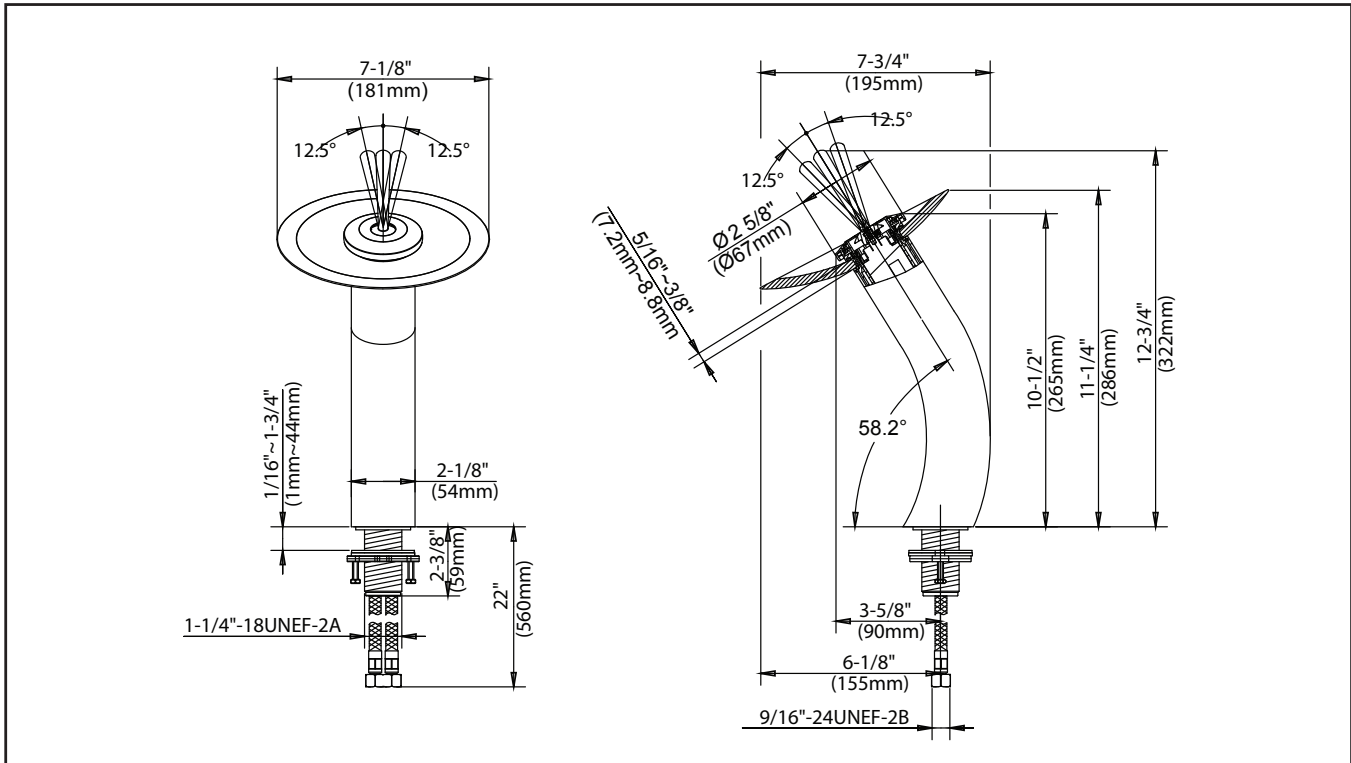
Hex Wrench

Optional Accessories

PU-10, PU-15
PU-12

Kraus Limited Lifetime Warranty: See website for details www.kraususa.com

1.800.775.0703 / customerservice@kraususa.com



Codes/Standards: Meets ASME A112.18.1/CSA B125.1, NSF/ANSI Standard 61 certified by IAPMO, NSF/ANSI Standard 372 certified by IAPMO, ADA

REV. August 16, 2016