

Kräus[®]

INSTALLATION MANUAL

Glass Vessel Sinks

Congratulations on the purchase of your new Kraus® plumbing fixture!

Please keep the box and packaging materials until your product is completely installed. If you have any questions, require technical assistance or have any problems with your product:



DO NOT RETURN TO STORE

**Please contact our Customer Service Team
1-800-775-0703 / customerservice@kraususa.com**

Have the model number available and retain a copy of your receipt with purchase date for reference.

If for any reason this product does not meet your expectations, please be sure to repack this product in the original box and packaging material to avoid damage during transit.

Prior to Installation

- **CAUTION:** To avoid the risk of personal injury, property damage, and product failure, completely read all instructions, warnings, cautions, and maintenance information. Failure to do so may void the warranty.
 - **NOTICE:** This product is made of tempered safety glass, which is stronger than normal glass, but it can break if damaged. A scratch, chip, or contact with a hard surface can cause it to weaken or break. This could, immediately or at a later time, cause the glass to loudly shatter into many small pieces without apparent cause. The smaller pieces reduce the risk of serious personal injury. **DO NOT:** Set the sink on a hard surface during installation, use tools directly on the sink, install the sink in a manner inconsistent with these instructions, or set or lay items weighing more than 75 pounds in or on the sink.
- IMPORTANT:**
- Unpack your new product and ensure that all the parts are contained in the packaging.
 - Keep the product in its original box until you're ready to install it.
 - The counter top must be flat.
 - Shut off the water supply if replacing a previously installed vessel sink.
 - Observe all plumbing and building codes in your area.

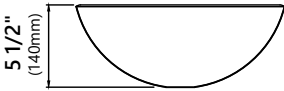
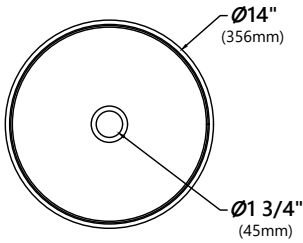
IMPORTANT: This product must be installed by a licensed trade professional, such as a contractor, carpenter, or plumber. Failure to use such a professional for installation may void the warranty.

For technical assistance or replacement parts, please contact Kraus Customer Service and one of our representatives will be happy to help:

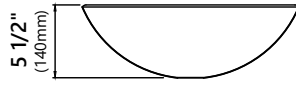
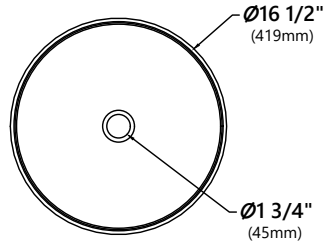
Toll-Free: 800-775-0703 or customerservice@kraususa.com

The step-by-step guidelines in the installation instructions are a general reference for installing a Kraus sink. Should there be any discrepancies, Kraus cannot be held liable.

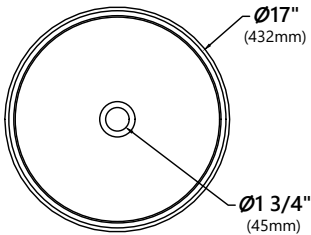
Dimensions



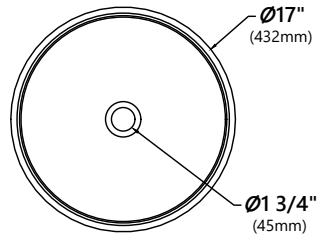
Model #: GV-101-14, GV-101FR-14,
 GV-103-14, GV-104-14
 Sink Dimensions: $\text{Ø}14'' \times 5\ 1/2''$
 Glass Thickness: 12mm



Model #: GV-100, GV-101, GV-101FR,
 GV-104, GV-200, GV-204, GV-580,
 GV-651, GV-684
 Sink Dimensions: $\text{Ø}16\ 1/2'' \times 5\ 1/2''$
 Glass Thickness: 12mm

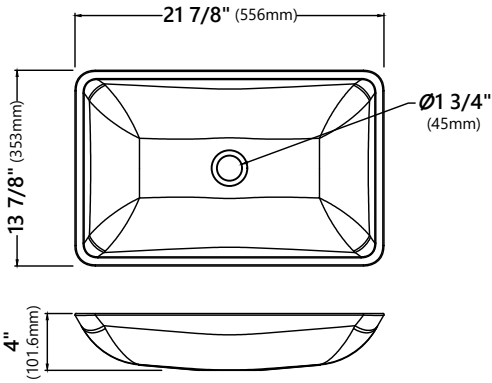


Model #: GV-101-19mm, GV-391-19mm,
 GV-398-19mm, GV-399-19mm, GV-680-19mm
 Sink Dimensions: $\text{Ø}17'' \times 6''$
 Glass Thickness: 19mm

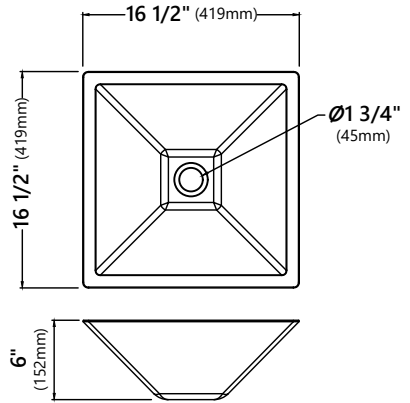


Model #: GV-150-19mm
 Sink Dimensions: $\text{Ø}17'' \times 6''$
 Glass Thickness: 19mm
 Rim Thickness: 34mm

Dimensions

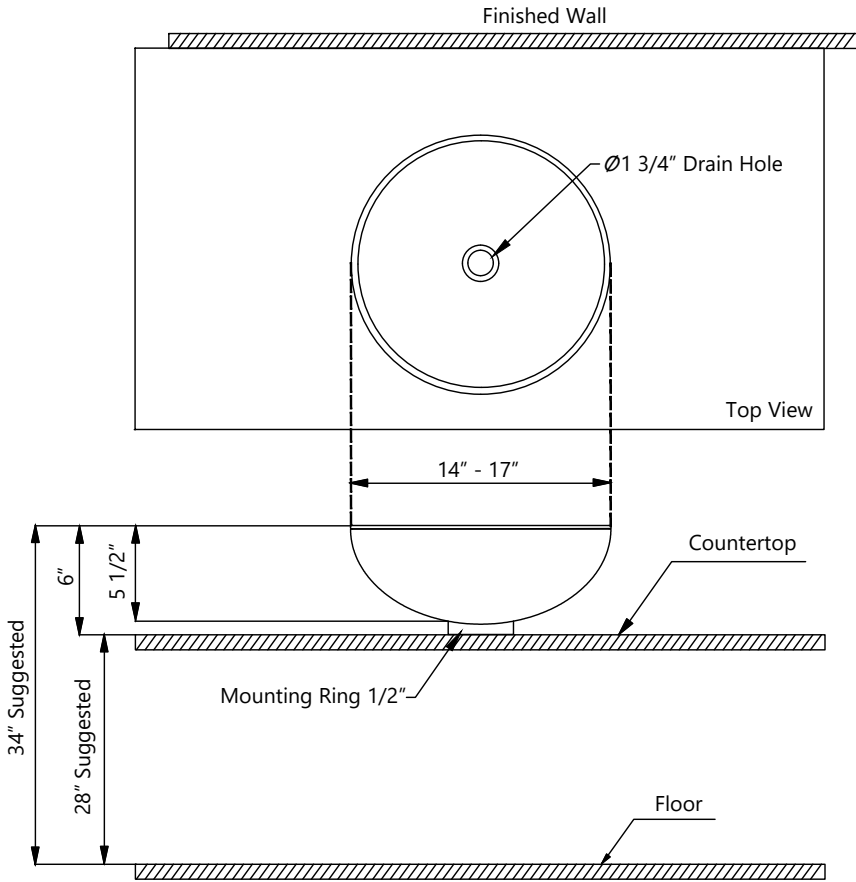


Model #: GVR-204-RE, GVR-210-RE
Sink Dimensions: 21 7/8" x 13 7/8" x 4"
Glass Thickness: 15mm



Model #: GVS-901-19mm
Sink Dimensions: 16 1/2" x 16 1/2" x 6"
Glass Thickness: 19mm

Rough-In Dimensions



Installer Tip

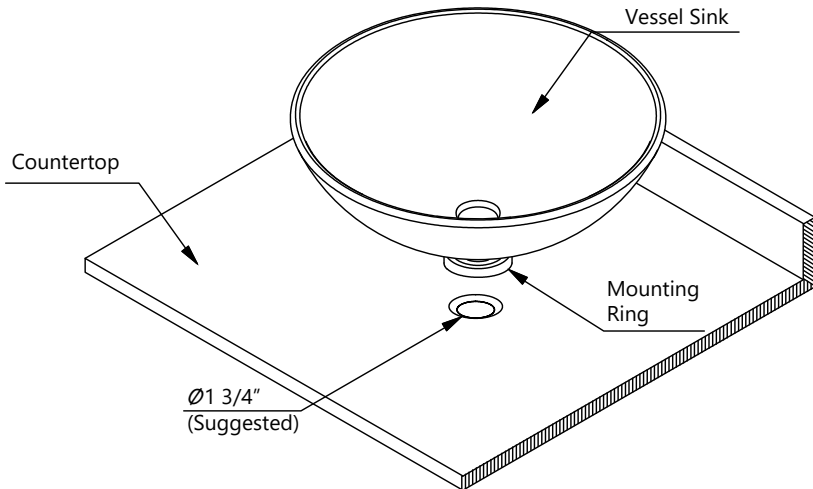
Shut off main water supply before installation.

Above Counter Installation Instructions

Before You Begin

Prepare countertop top by drilling a 1 3/4" diameter drain hole at the desired location. Install mounting ring. Place vessel sink on the mounting ring or countertop top as shown below.

1. **⚠ CAUTION** - Make sure the vessel sink is not scratched, chipped or broken prior to installation. Failure to do so could result in glass breakage and personal injury, property damage, or product failure.
2. Check to see if your set contains the following parts:
 - Vessel sink
 - Pop up drain (optional, may be sold separately)
 - Mounting Ring (optional, may be sold separately)
3. Locate and place the mounting ring over the drain hole with the rubber side facing down and the white washer side facing up.
4. Gently set your sink on top of the mounting ring.

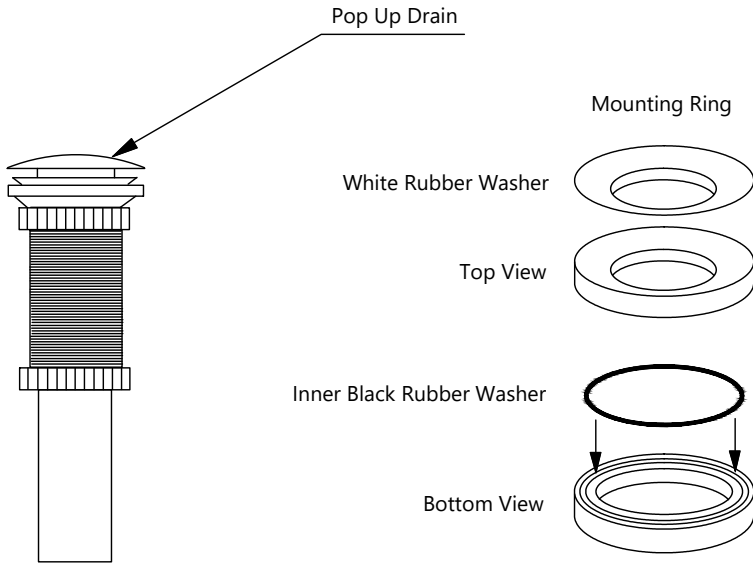


Pop Up Drain & Mounting Ring Installation (Only if Included)

Locate and disassemble your pop up drain in the following order:

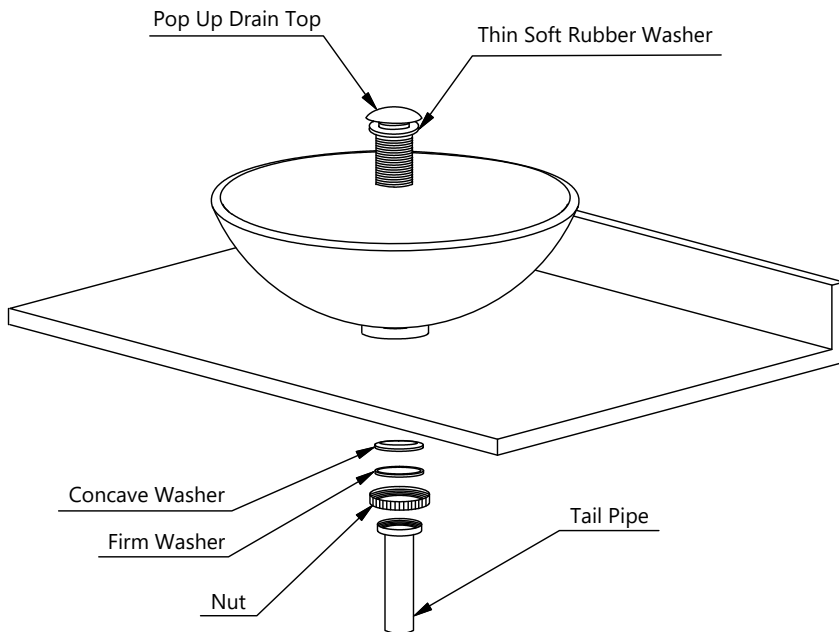
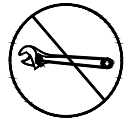
- Unscrew the tail piece
- Unscrew the brass nut
- Remove the firm washer
- Remove the concave washer, leaving the top thin rubber washer on.

⚠ CAUTION - Misinstalling the pop up drain and mounting ring can compromise the glass, resulting in breakage. To avoid personal injury, property damage, or product failure, follow the instructions for installing these components carefully.



1. From above the countertop, insert the drain body into the 1 3/4" drain opening of your sink.
2. From underneath the countertop, insert the concave white rubber washer onto the drain.
CAUTION - The white rubber washer protects the glass from making contact with metal components; **DO NOT** skip this step.
3. Push the washer all the way up until it is in contact with the countertop.
4. Insert the firm washer onto the drain body until it comes into contact with the concave white rubber washer.
5. Screw the brass nut onto the drain body until it touches the firm washer.

CAUTION - To avoid glass breakage, **DO NOT** use a tool and **DO NOT** over tighten.



Codes/Standards Applicable



Glass Bathroom Sink Warranty

Kraus® USA Plumbing, LLC ("Kraus") extends this warranty to the original purchaser for personal household use of the Glass Bathroom Sink when purchased from an authorized Kraus dealer and in the location of original installation. This warranty is non-transferable.

Kraus warrants the structure and finish of the Glass Bathroom Sink to be free from defects in material and workmanship when installed according to these instructions and under normal usage for as long as the original purchaser resides in the residence in which the sink was first installed.

Commercial Warranty

Kraus USA Plumbing, LLC ("Kraus") warrants its Products for a period of one (1) year to commercial purchasers of Products used in industrial, commercial and business applications.

What We Will Do: Any product reported to the authorized dealer or to Kraus that proves defective within the warranty period stated above may be repaired or replaced with a product of equal value at the option of Kraus. If repair or replacement is not practical, Kraus may elect to refund the purchase price in exchange for the return of the product. **These are your exclusive remedies.**

Care and Cleaning Instructions

Certain cleaning products may cause damage to a Product's finish and use of the following on the Product will void this warranty:

- Abrasive cleaners such as powders, bleach, ammonia, alcohol or chlorine
- Abrasive pads, steel wool or wire brushes

What is Not Covered

This warranty does not cover Products that were discontinued at the time of purchase, display Products or Products that were free gifts included with your purchase. In addition, this warranty does not cover Products purchased from discount outlets or unauthorized dealers or Products that were purchased on clearance.

This warranty does not cover damage resulting from neglect, misuse (including use for an unintended application), abuse, carelessness, accident, hard water or mineral deposits, exposure to corrosive materials, improper maintenance, alteration of the Product, or failure to follow care, cleaning or installation instructions enclosed with your Product. Kraus strongly recommends that all Kraus Products be installed by a fully licensed and insured trade professional with experience in the installation of bathroom and/or kitchen manufactured goods.

How to Make a Warranty Claim

If you are a **consumer purchaser**, please contact a Kraus® Customer Service Representative at:

Kraus USA Plumbing, LLC
12 Harbor Park Drive
Port Washington, NY 11050
Toll-free 800-775-0703
Customerservice@kraususa.com

If you are a **plumbing contractor or trade professional**, please contact a Kraus Pro Representative at:

Kraus USA Plumbing, LLC
12 Harbor Park Drive
Port Washington, NY 11050
516-801-8955
Proservice@kraususa.com

If you are an **authorized partner**, please contact a Partner Support Representative at:

Kraus USA Plumbing, LLC
12 Harbor Park Drive
Port Washington, NY 11050
516-801-8954
Partnersupport@kraususa.com

In requesting warranty service, please be ready to provide your proof of purchase and a description of the problem. Shipping charges will be covered for the first (1) year of the warranted replacement part or product (HI, AK, and Puerto Rico shipping charges may apply). International shipping fees are not included.

Limitation on Duration of Implied Warranties

Please note that some states/provinces (including Quebec) do not allow limitations on how long an implied warranty lasts, so the below limitations may not apply to you. TO THE MAXIMUM EXTENT PERMITTED BY APPLICABLE LAW, ANY IMPLIED WARRANTY, INCLUDING THE IMPLIED WARRANTIES OF MERCHANTABILITY AND OF FITNESS FOR A PARTICULAR PURPOSE, IS LIMITED TO THE STATUTORY PERIOD OR THE DURATION OF THIS WARRANTY, WHICHEVER IS SHORTER.

Limitation of Special, Incidental or Consequential Damages

Please note that some states/provinces (including Quebec) do not allow the exclusion or limitation of special, incidental or consequential damages, so the below limitations and exclusions may not apply to you. TO THE MAXIMUM EXTENT PERMITTED BY APPLICABLE LAW, THIS WARRANTY DOES NOT COVER, AND KRAUS USA PLUMBING, LLC SHALL NOT BE LIABLE FOR, ANY SPECIAL, INCIDENTAL OR CONSEQUENTIAL DAMAGES (INCLUDING LABOR CHARGES TO REPAIR, REPLACE, INSTALL OR REMOVE THIS PRODUCT), WHETHER ARISING OUT OF BREACH OF ANY EXPRESS OR IMPLIED WARRANTY, BREACH OF CONTRACT, TORT, OR OTHERWISE.

This warranty gives you specific legal rights, and you may also have other rights which vary from state/province to state/province.

Download the Kraus Care & Maintenance Guide at:

<http://www.kraususa.com/maintenance>

IMPORTANT

Register Your Kraus Product

Activate Your Warranty

Access Premium Customer Support

Get Product Information

REGISTER TODAY

<http://www.kraususa.com/registration>



Kräus[®]
www.kraususa.com