

# ST-3

## Pax Stainless Steel Strainer

Kräus®

SPECIFICATION SHEET

### Finish

Stainless Steel

### Material

Stainless Steel

### Features

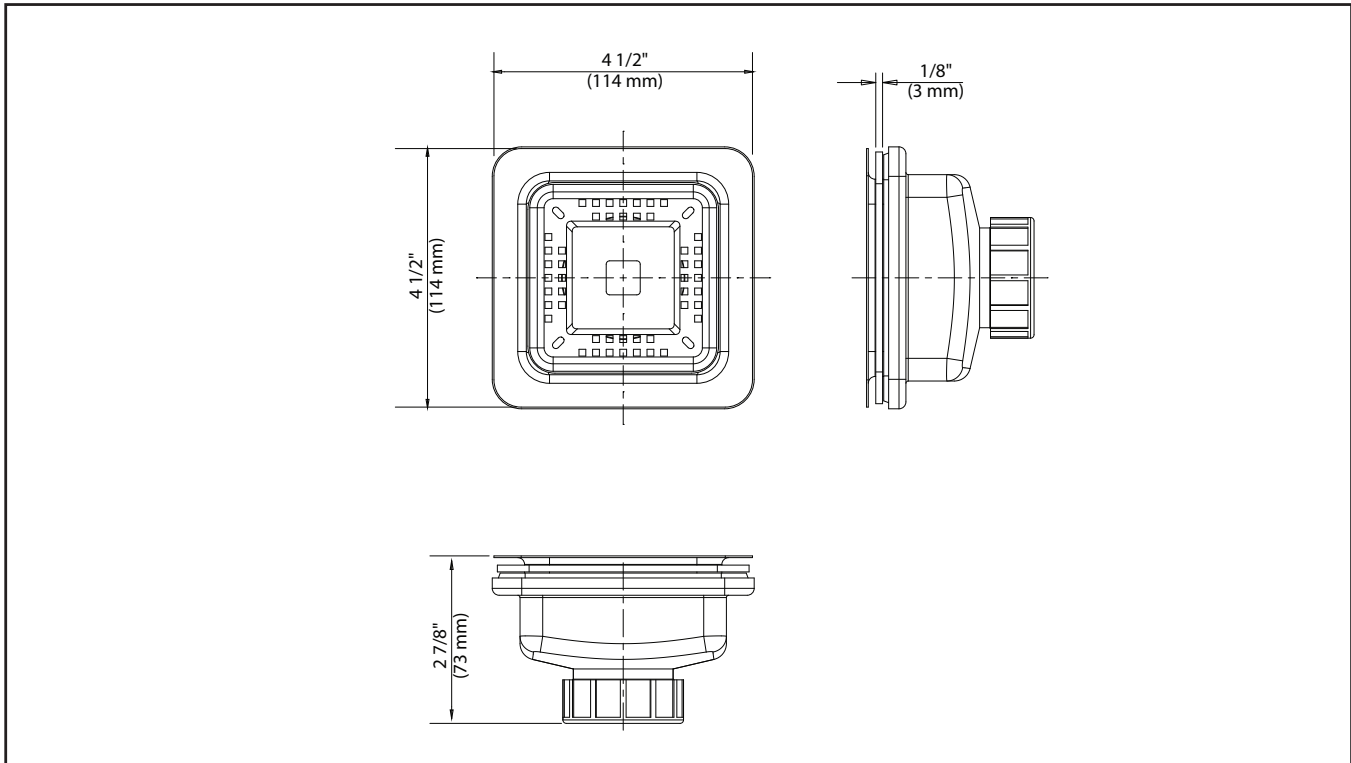
- Premium Stainless Steel Construction for Maximum Durability
- Modern Square Drain Design
- Coordinates w/ All Pax™ & R0 Pro™ Series Sinks
- Removable Strainer w/ Gasket for Secure Seal

### Dimensions

4 1/2" x 4 1/2" x 2 7/8"

Kraus Limited Lifetime Warranty: See website for details [www.kraususa.com](http://www.kraususa.com)

1.800.775.0703 / [customerservice@kraususa.com](mailto:customerservice@kraususa.com)



REV. August 18, 2016