

Kräus[®]

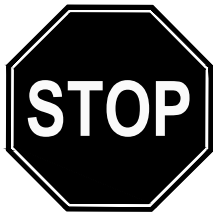
INSTALLATION MANUAL

Automatic Sensor Trash Can

KTCS-10

Congratulations on the purchase of your new Kraus® plumbing fixture!

Please keep the box and packaging materials until your product is completely installed. If you have any questions, require technical assistance or have any problems with your product:



DO NOT RETURN TO STORE

**Please contact our Customer Service Team
1-800-775-0703 / customerservice@kraususa.com**

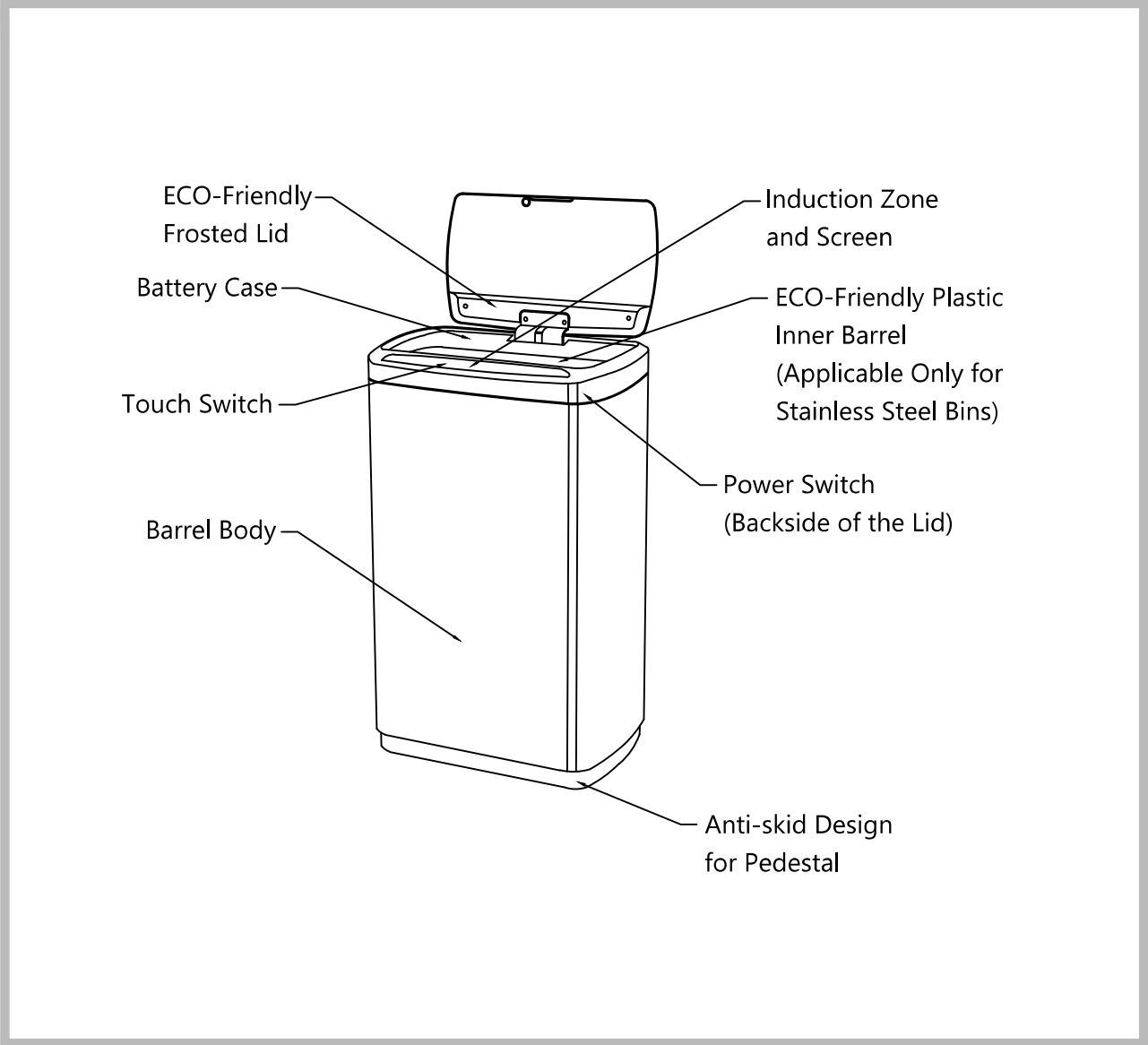
Have the model number available and retain a copy of your receipt with purchase date for reference.

If for any reason this product does not meet your expectations, please be sure to repack this product in the original box and packaging material to avoid damage during transit.

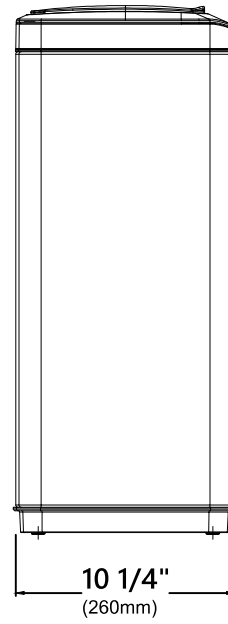
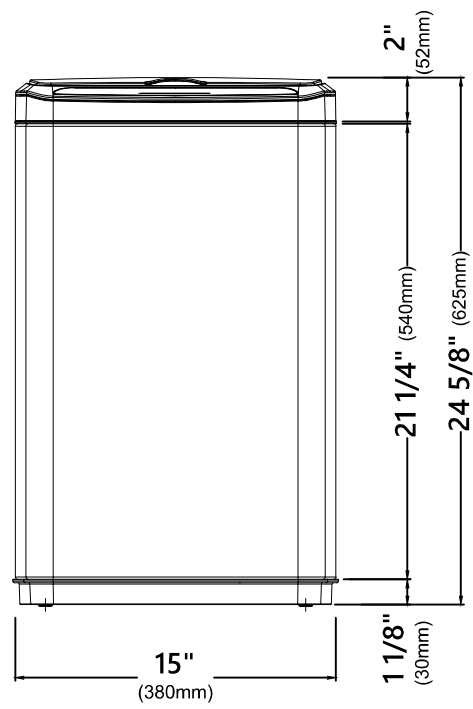
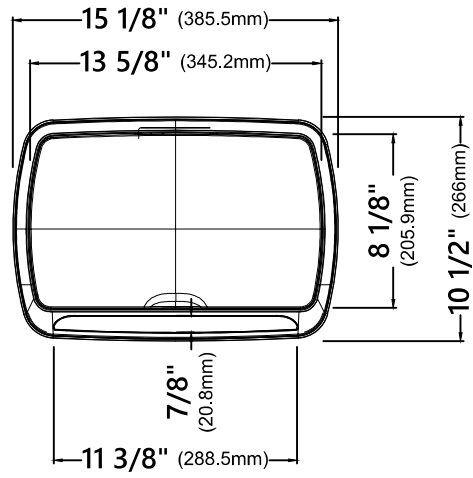
For technical assistance or replacement parts, please contact Kraus Customer Service and one of our representatives will be happy to help:

Toll-Free: 800-775-0703 or Customerservice@kraususa.com

Diagram and Parts List

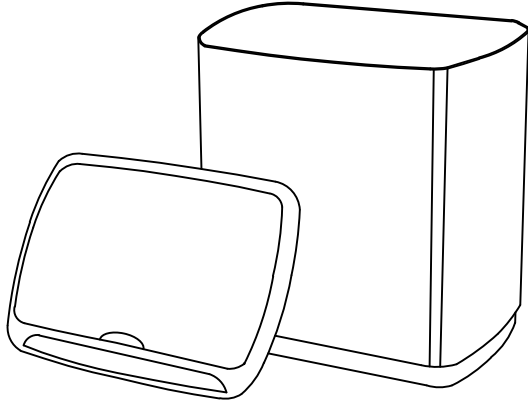


Dimensions



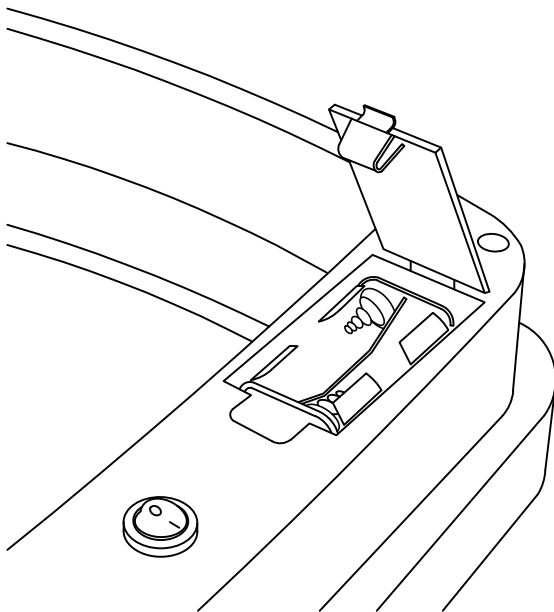
Step 1. Check All Parts

Take out lid and inner barrel, make sure the power switch faces you.

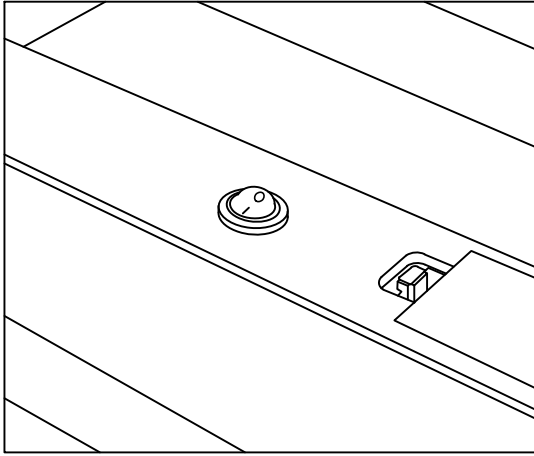


Step 2. Install Batteries

Take out the battery case. Install 3 AA batteries into the case according to the "+,-" instruction. Put back the case and seal the cover.

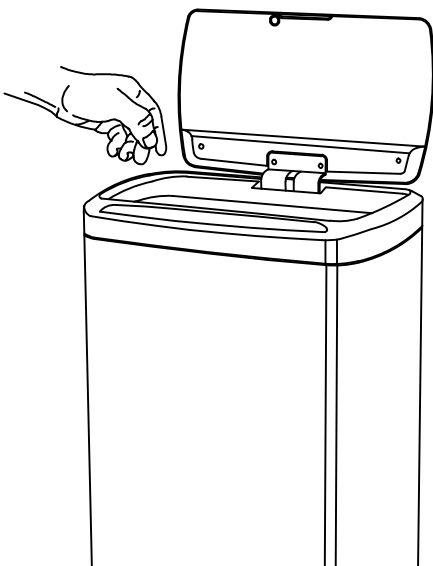


Step 3. Open the Power Switch



Press the power switch at the back side of the lid to "I" and the automatic sensor system will start to work.

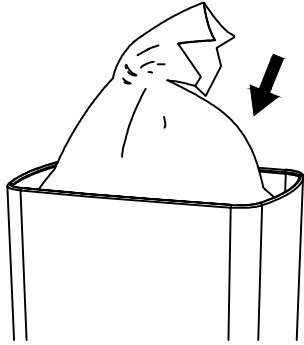
Step 4. Instructions of Sensing Function



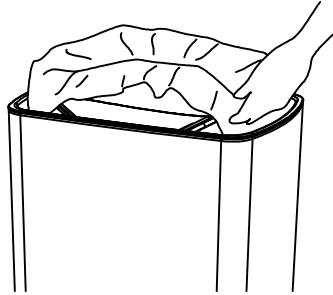
When garbage or any part of your body is in the sensing area (about 10-15cm), lid will open automatically. After leaving the sensing area, the display screen will show a 5 second countdown. The lid will close after the countdown ends.

Step 5. Securing the Trash Bag

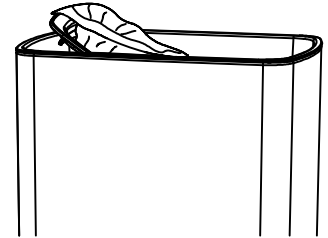
Remove the Bag Securing Unit before taking out the full trash bag.



6a. Select your Preferred Trash Bag and Place it inside the Trash Can.

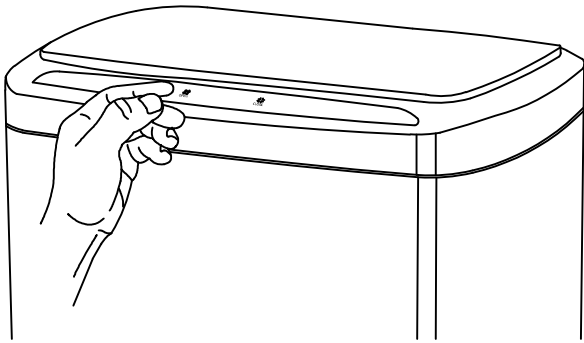


6b. Raise the orange handles from Bag Securing System and wrap the lip of the trash bag around the orange handles.



6c. Lower the handles once wrapped and replace the Lid.

Touch Button

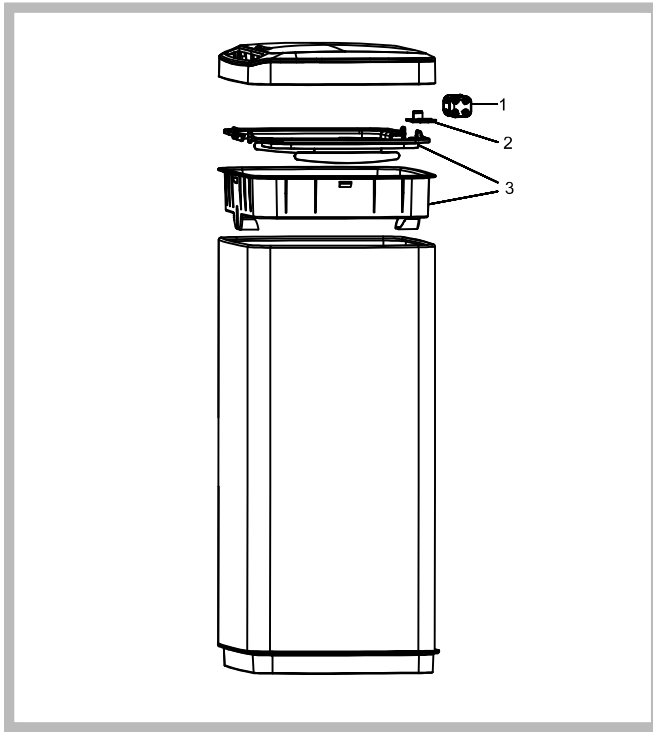


1. Press the OPEN/CLOSE button on the screen to keep the lid in the open position.
2. Press it again to close the lid. After you press the OPEN/CLOSE button, the lid will close automatically after 5 seconds if no objects are sensed.

Precautions

1. When you install batteries, please take note of the "+" and "-" instructions.
2. Be sure to use a clean cloth to clean the trash bin. Please do not use too much water on the trash bin. Water can damage the inner elements. Do not power on if water goes inside of the trash bin.
3. Please do not push or flip the lid to prevent the lid from damage.
4. Please replace the batteries in time to avoid liquid leaking. This situation may damage the electric elements.
5. Avoid using the trash bin under sunlight or wet surroundings.
6. Keep the sensing area clean to ensure proper function of the sensor.
7. Please don't mix acidic batteries and alkaline batteries. Also, do not mix rechargeable batteries and disposable batteries.
8. Please do not attempt to repair the trash bin or replace parts by yourself. This will void the warranty.

Replacement Parts



Replacement Parts List	Part #
1. Battery Compartment	KP60000
2. Battery Compartment Cover	KP60001
3. Bag Securing Insert	KP60002

Troubleshooting

If you have followed the instructions carefully and your faucet still does not work properly, take the following corrective steps:

PROBLEM	ACTION
Lid unusually opening	<p>Check whether batteries are installed properly according to "+" and "-" instruction.</p> <p>Check whether the sensing area is clean or not, please use a clean cloth to wipe it if it is dirty.</p>
Lid unusually closing	<p>Check whether the sensing area is clean or not, please use a clean cloth to wipe it if it is dirty.</p> <p>Check whether electric circuits are damp. If yes, please do not connect the power source. You can only use the bin if it is dry.</p> <p>Check whether there is any obstruction around the lid. If yes, please remove it.</p>
Low Battery	Lid opens slowly and screen shows L. Replace the batteries.

NOTE: If these solutions do not work, please contact customer service at 1-800-775-0703. Do not attempt to repair the trash bin by yourself.

Accessories - Limited Warranty

Kraus® USA Plumbing, LLC ("Kraus") extends this warranty to the original purchaser for personal household use of the Accessories when purchased from an authorized Kraus dealer and in the location of original installation. This warranty is non-transferable.

Kraus warrants the structure and finish of the Accessories to be free from defects in material and workmanship under normal usage for a period of one (1) year from the date of purchase.

Any product reported to the authorized dealer or to Kraus as being defective within the warranty period will be repaired or replaced with a product of equal value at the option of Kraus.

Commercial Warranty

Kraus USA Plumbing, LLC ("Kraus") warrants its Products for a period of one (1) year to commercial purchasers of Products used in industrial, commercial and business applications.

Care and Cleaning Instructions

Certain cleaning products may cause damage to a Product's finish and use of the following on the Product will void this warranty:

- Abrasive cleaners such as powders, bleach, ammonia, alcohol or chlorine
- Abrasive pads, steel wool or wire brushes

What is Not Covered

This warranty does not cover Products that were discontinued when purchased or display Products, whether such Products were purchased at discount outlets, unauthorized dealers, and/or sold on clearance. This warranty does not cover any free gifts included with purchase.

This warranty does not cover damage resulting from neglect, misuse (including use for an unintended application), abuse, carelessness, accident, hard water or mineral deposits, exposure to corrosive materials, improper maintenance, alteration of the Product, or failure to follow care, cleaning or installation instructions enclosed with your Product. Kraus recommends that all Kraus Products be installed by a fully licensed and insured trade professional with experience in the installation of bathroom and/or kitchen manufactured goods.

How to Make a Warranty Claim

If you are a **consumer purchaser**, please contact a Kraus® Customer Service Representative at:

Kraus USA Plumbing, LLC
12 Harbor Park Drive
Port Washington, NY 11050
Toll-free 800-775-0703
Customerservice@kraususa.com

If you are a **plumbing contractor or trade professional**, please contact a Kraus Pro Representative at:

Kraus USA Plumbing, LLC
12 Harbor Park Drive
Port Washington, NY 11050
516-801-8955
Proservice@kraususa.com

If you are an **authorized partner**, please contact a Partner Support Representative at:

Kraus USA Plumbing, LLC
12 Harbor Park Drive
Port Washington, NY 11050
516-801-8954
Partnersupport@kraususa.com

In requesting warranty service, please be ready to provide your proof of purchase and a description of the problem. Shipping charges will be covered for the first (1) year of the warranted replacement part or product (HI, AK, and Puerto Rico shipping charges may apply). International shipping fees are not included.

Limitation on Duration of Implied Warranties

Please note that some states/provinces (including Quebec) do not allow limitations on how long an implied warranty lasts, so the below limitations may not apply to you. TO THE MAXIMUM EXTENT PERMITTED BY APPLICABLE LAW, ANY IMPLIED WARRANTY, INCLUDING THE IMPLIED WARRANTIES OF MERCHANTABILITY AND OF FITNESS FOR A PARTICULAR PURPOSE, IS LIMITED TO THE STATUTORY PERIOD OR THE DURATION OF THIS WARRANTY, WHICHEVER IS SHORTER.

Limitation of Special, Incidental or Consequential Damages

Please note that some states/provinces (including Quebec) do not allow the exclusion or limitation of special, incidental or consequential damages, so the below limitations and exclusions may not apply to you. TO THE MAXIMUM EXTENT PERMITTED BY APPLICABLE LAW, THIS WARRANTY DOES NOT COVER, AND KRAUS USA PLUMBING, LLC SHALL NOT BE LIABLE FOR, ANY SPECIAL, INCIDENTAL OR CONSEQUENTIAL DAMAGES (INCLUDING LABOR CHARGES TO REPAIR, REPLACE, INSTALL OR REMOVE THIS PRODUCT), WHETHER ARISING OUT OF BREACH OF ANY EXPRESS OR IMPLIED WARRANTY, BREACH OF CONTRACT, TORT, OR OTHERWISE.

This warranty gives you specific legal rights, and you may also have other rights which vary from state/province to state/province.

IMPORTANT

Register Your Kraus Product

Activate Your Warranty

Access Premium Customer Support

Get Product Information

REGISTER TODAY

<http://www.kraususa.com/registration>



Kräus[®]
www.kraususa.com