

# Kraus Dex™ Model KD1US25B



## Kraus Dex™ 25 Inch Undermount Single Bowl 16G Stainless Steel Kitchen Sink w/ Waterway and NoiseDefend™ Soundproofing

**Stainless Steel**  
Thickness 16 Gauge  
Type 18/10 Antibacterial

**The Big Sink - Rim Dimensions**  
Front to Back: 18 7/8"  
Left to Right: 24 3/4"

**Antibacterial Test Method**  
KCL-FIR-1003:2011

**Bowl Configuration**  
Single Bowl

**Drain Size**  
3 1/2" (89mm)

**Included with Product**  
NoiseDefend Undercoating  
NoiseDefend Sound Dampening Pads  
Waste Fitting ST-4  
Undermount Mounting Clips  
Installation Template US-1  
Silicone Mitt KSM-1BLACK  
Silicone Trivet KST-1BLACK

**Installation Type**  
Undermount

**Drain Location**  
Rear Center

**Recommended Minimum Cabinet Size**  
24" Front to Back  
30" Left to Right

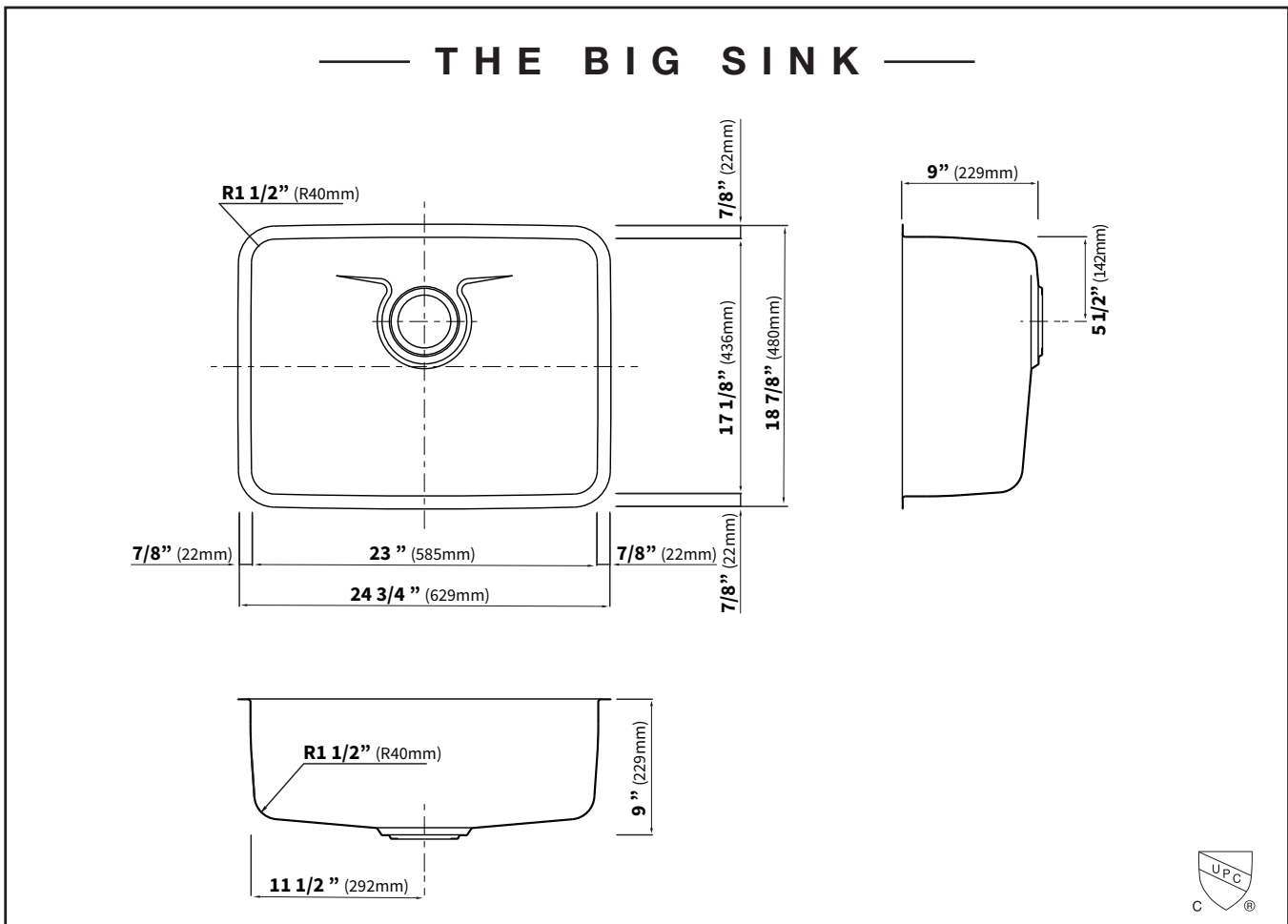
**Recommended Dish Grid**  
23" Stainless Steel Kitchen Sink Grid  
Model No: BG2317

**Warranty**  
Kraus Lifetime Limited Warranty

**The Big Sink - Bowl Dimensions**  
Front to Back: 17 1/8"  
Left to Right: 23"  
Depth: 9"

**Antibacterial Properties**  
99.9% reduction of bacteria  
• Escherichia coli  
• Staphylococcus

**Product Certification**  
cUPC (ASME A112.19.3/CSA B45.4), MASS



# Kraus Dex™ Model KD1US25B

Kraus®

SPECIFICATION SHEET

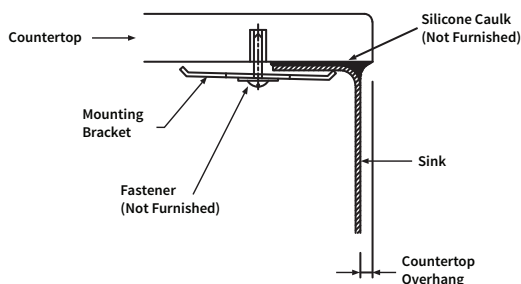
## KD1US25B Specification

Kraus USA Model KD1US25B is a single bowl undermount kitchen sink manufactured from 16 gauge 18/10 antibacterial stainless steel. Product has a brush finished bowl bottom and satin finished bowl sides. Sink rim is satin finish, with mirror finish bowl radius opening. Sink includes NoiseDefend™ undercoating and rubber sound dampening pads.

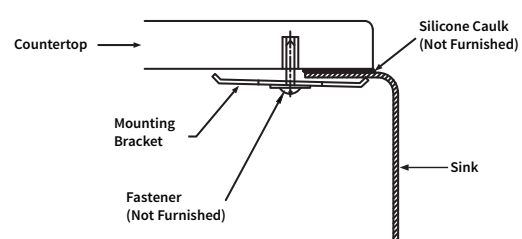
- Model KD1US25B bowl bottom has embossed Kraus waterways to channel water directly to drain. Drain is located rear center of the sink bowl.
- Waste fitting, undermount installation clips, and silicone oven mitt and trivet are also included.
- Model KD1US25B is a big sink, with sink bowl dimensions: 17 1/8"FB x 23"LR x 9"DP
- Recommended minimum cabinet size is 24"FB x 30"LR
- Model KD1US25B includes Kraus USA Lifetime Limited Warranty.

### — THE BIG SINK — COUNTERTOP CUT-OUT OPTIONS

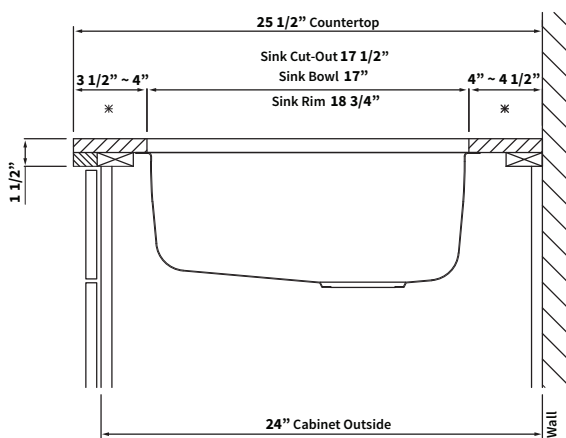
SPECIFICATION B: 1/8" OVERHANG



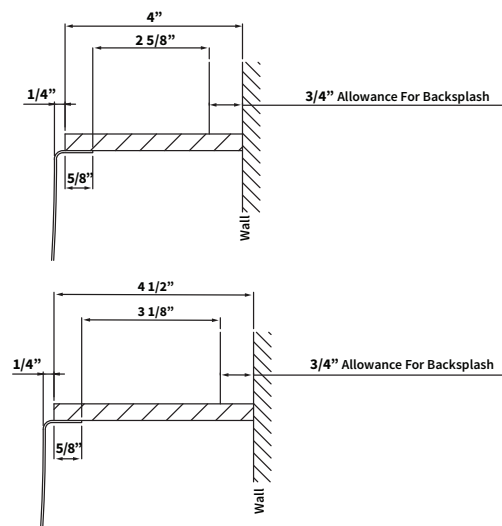
SPECIFICATION A: 1/4" REVEAL



### SINK INSTALLATION



SIDE VIEW



DETAILS OF COUNTERTOP & FAUCET LANDING



# Nolen™ / KPF-1673

## Single Handle Pull-down Kitchen Faucet

Chrome / Spot Free all-Brite™ Stainless Steel Finishes

# Kräus®

SPECIFICATION SHEET

### Material

Body: Metal  
Sprayer: ABS  
Waterway: Brass

### Spout

Swivel: 360  
Design: Full Body  
Pull Down

### Sprayhead

Flow Rate: 1.8 gpm (6.8L/min) @ 60 psi  
Aerator: Honeycomb  
Function: Spray/Stream  
Nozzles: Easy Clean Rubber Nozzles  
Docking: Secure

### Cartridge

Type: Ceramic  
Size: 25mm  
Style: Lever

### Mounting

Holes: 1 - 3 Holes  
Type: Brass Nut

### Waterlines

Length : 24"  
Flexible  
Connections: 3/8"  
Materials: Braided Nylon Included

### Dimensions

Overall Height: 16 3/8"  
Spout Height: 9"  
Spout Reach: 9 1/8"

### Accessories Included

Escutcheon Plate, Weight, Hex Wrench

Kraus Lifetime Limited Warranty: See website for details [www.kraususa.com](http://www.kraususa.com)

1.800.775.0703 / [customerservice@kraususa.com](mailto:customerservice@kraususa.com)

