

KPF-2631

Single Handle Commercial Kitchen Faucet

Faucet Dimensions

Overall Height: 21 7/8"

Spout Height: 8 1/2"

Spout Reach: 9 1/8"

*Deck Plate Dimensions

Overall Dimensions: 10 1/4" x 2 3/8" x 1/2"

Features

- Commercial Style Pull Down Faucet
- Metal Body
- ABS Sprayer
- Lead Free Brass Waterway
- 360° Swivel Spout
- Flow Rate: 1.75 gpm (6.6L/min) @ 60 psi
- Spray Type: Dual Function Spray/Stream
- Silicone Nozzles
- 35mm Ceramic Cartridge
- Dome Shaped Screen Washer
- Swivel Sprayer Connector
- 11" Hose Length
- Easy Install Assembly
- Quick Weight
- Quick Connect Sprayer Hose
- 29 1/4" Flexible Nylon Waterlines
- Connections 3/8" Compression
- Max Deck Thickness: 1 1/2"
- TPI of aerator in the Sprayer - M16.5*1

Accessories Included

- *Deck Plate
- Hex Wrench
- Weight

Available Finishes

- Chrome
- Matte Black
- Spot Free all-Brite™ Stainless Steel
- Spot Free Antique Champagne Bronze

CODES/STANDARDS:

Product Certification

cUPC (ASME A112.18.1/CSA B125.1)

NSF/ANSI Standard 61 and 372 certified by IAPMO

CEC, DOE, ADA

NOTE: Some Kitchen Faucets that do not have a pull out or pull down sprayer may be connected to a portable dishwasher. Pull out and pull down faucets should never be connected to portable dishwashers because potential pressure fluctuations during washing cycles cause hose ruptures or leaks.

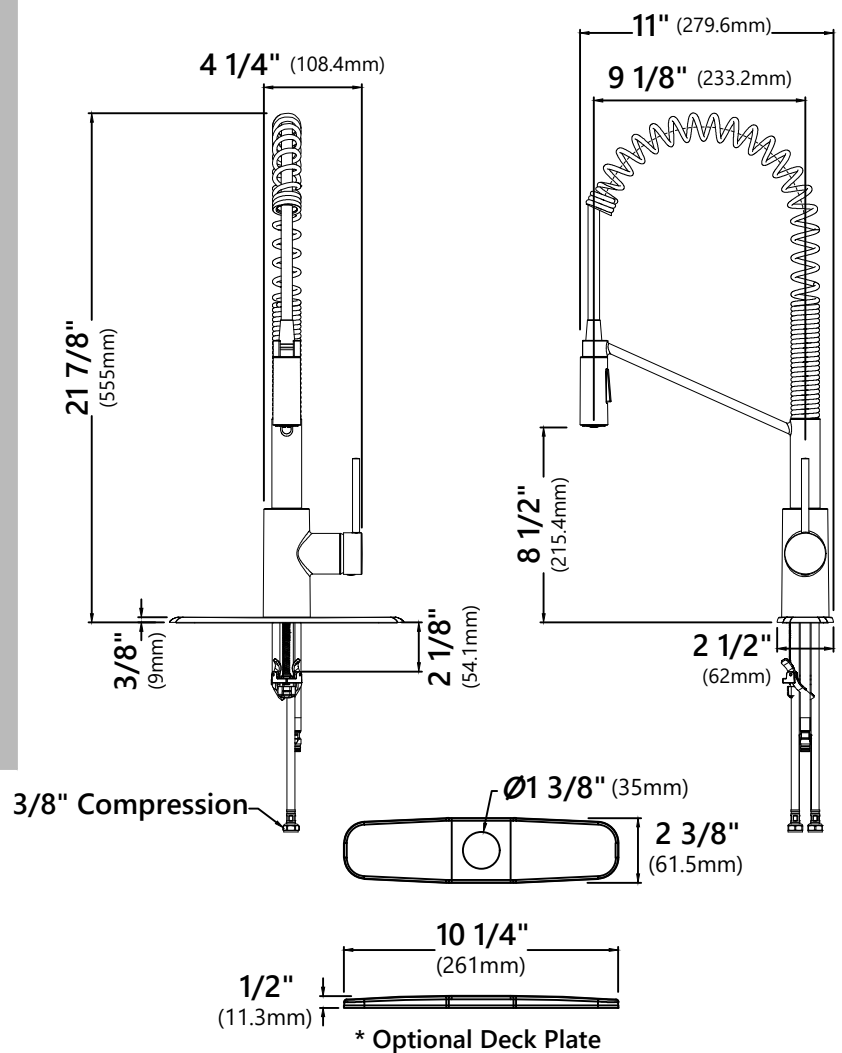
Warranty

Kraus Limited Lifetime Warranty

see website for details www.kraususa.com

Kraus USA Customer Service

1.800.775.0703 | customerservice@kraususa.com



KSD-53

Soap Dispenser

Features

- Solid Brass Construction
- Self-Priming Pump
- Refillable from Above
- Holds up to 17 oz. of Liquid
- Max. Deck Thickness: 2 3/8"
- Pump Height: 2 3/8"
- Spout Reach: 3 7/8"

Available Finishes

- Brushed Gold
- Chrome
- Spot Free Stainless Steel
- Matte Black
- Oil Rubbed Bronze
- Stainless Steel
- Spot Free Antique Champagne Bronze
- Spot Free Stainless Steel/Matte Black
- Brushed Brass



Kraus One Year Limited Warranty:

See website for details www.kraususa.com

