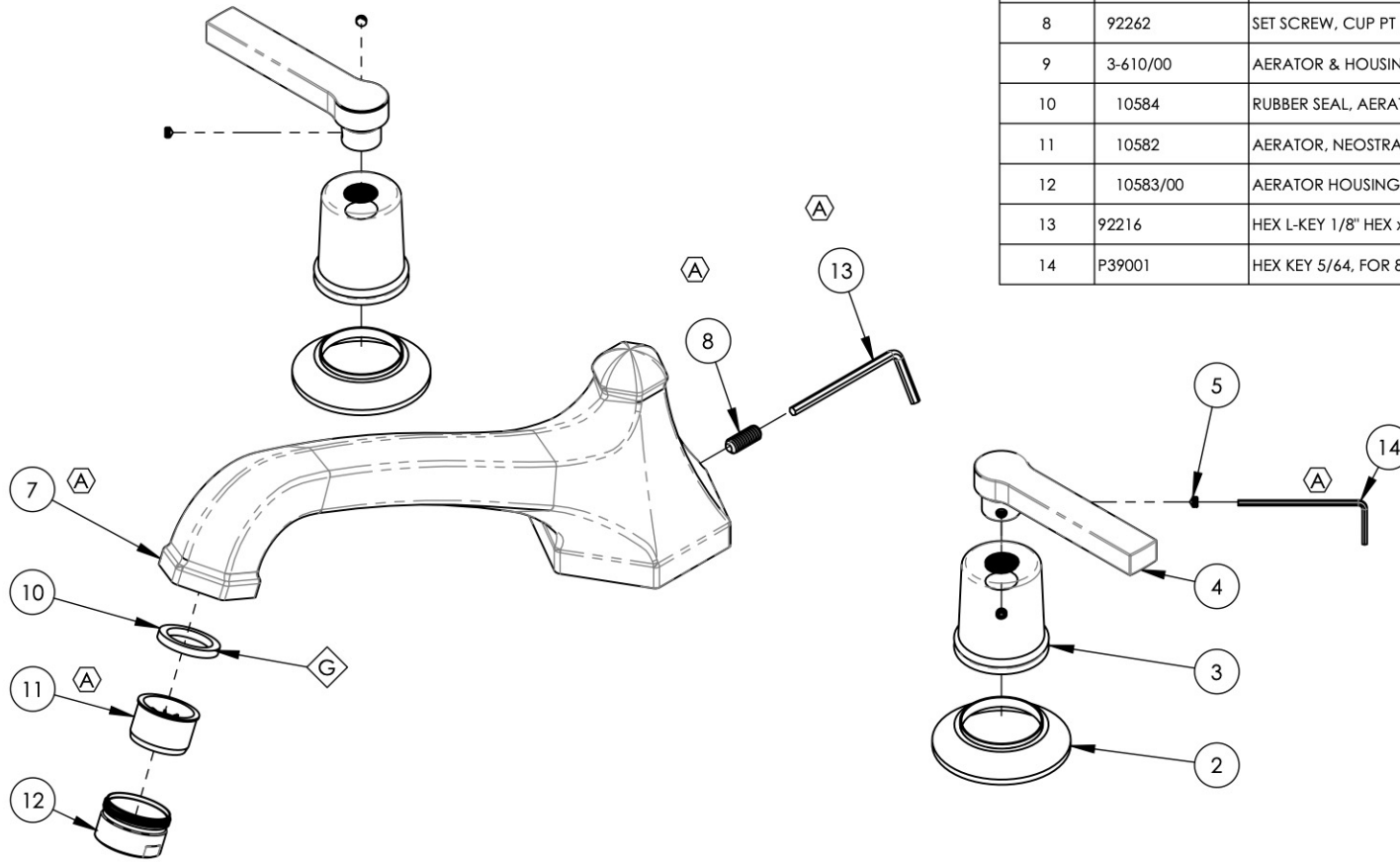


NOTE(S):  
1. PART NUMBER, "/00" DENOTES PART SHALL HAVE FINISH.

2. APPLY NSF COMPLIANT GREASE TO ANY O-RING, SEALING JOINTS, AND/OR PIVOTAL POINTS.



| ITEM NO. | PART NUMBER | DESCRIPTION   | QTY. |
|----------|-------------|---|------|
| 1        | 3-133/00    | LEVER HANDLE, HEX MODERN, 501 SERIES                    | 2    |
| 2        | 10921/00    | ESCUTCHEON, TRANSITIONAL                                | 1    |
| 3        | 10922/00    | HUB, FOR HEX TRANSITIONAL                               | 1    |
| 4        | 11036/00    | HANDLE LEVER, CONTEMPORARY 16PT                         | 1    |
| 5        | 92163       | SET SCREW, CONE PT 8-32 X 1/8"L                         | 2    |
| 6        | 3-144/00    | SPOUT, DECK TUB,500/501 SERIES                          | 1    |
| 7        | P27015/00   | SPOUT, DECK TUB, LE VERRE LA CROSSE                     | 1    |
| 8        | 92262       | SET SCREW, CUP PT 1/4"-20 X 5/8"L                       | 1    |
| 9        | 3-610/00    | AERATOR & HOUSING, M28X1, TUB FILLER, FULL FLOW         | 1    |
| 10       | 10584       | RUBBER SEAL, AERATOR GASKET 1.0"OD X .753"ID X .125"THK | 1    |
| 11       | 10582       | AERATOR, NEOSTRAHL. M28, TUB FILLER, FULL FLOW          | 1    |
| 12       | 10583/00    | AERATOR HOUSING, M28 41.2007.000                        | 1    |
| 13       | 92216       | HEX L-KEY 1/8" HEX x 2-5/16"L                           | 1    |
| 14       | P39001      | HEX KEY 5/64, FOR 8-32 SET SCREW                        | 1    |



| ALL | REV. | DESCRIPTION                                      | DATE      | APPROVED |
|-----|------|--|-----------|----------|
| A   |      | UPDATE SPOUT ASSY, ADD HEX KEYS, UPDATE DWG NAME | 12/3/2019 | AMM      |

REVISIONS

**PHYLIRICH**  
Defining Luxury Since 1959

1261 LOGAN AVENUE  
COSTA MESA, CALIFORNIA 92626  
PHONE: 714.361.4800  
FAX: 714.617.3120

**PROPRIETARY AND CONFIDENTIAL**  
THE INFORMATION CONTAINED IN THIS DRAWING IS THE SOLE PROPERTY OF PHYLIRICH. ANY REPRODUCTION IN PART OR AS A WHOLE WITHOUT THE WRITTEN PERMISSION OF PHYLIRICH IS PROHIBITED.

|                             |             |   |  |                |
|-----------------------------|-------------|---|--|----------------|
| -                           | -           | INTERPRET GEOMETRIC DIMENSIONING & TOLERANCING IN ACCORDANCE WITH ASME Y14.5-2009 & ASME Y14.41-2003 STANDARDS, UNLESS OTHERWISE SPECIFIED. DIMENSIONS ARE IN INCHES. TOLERANCES ARE: |  |                |
| NEXT ASSY                   | USED ON     | FRACTIONS<br>±1/16"   | DECIMALS<br>X.X: ±.1<br>X.XX: ±.01<br>X.XXX: ±.005 | ANGULAR<br>±2° |
| MATERIAL                    | APPLICATION | NAME  | DATE   |                |
| FINISH                      | DRAWN       | FME   | 11/19/2015   |                |
| <b>DO NOT SCALE DRAWING</b> |             | CHECKED   | LLO  |                |

**DECK TUB SET, HEX SPOUT W/ LEVER, HEX MODERN**

SIZE **A** ASM/PRT NO. **501-41/00** REV **A**

SCALE: 1:3 WEIGHT: lbs. SHEET 1 OF 2