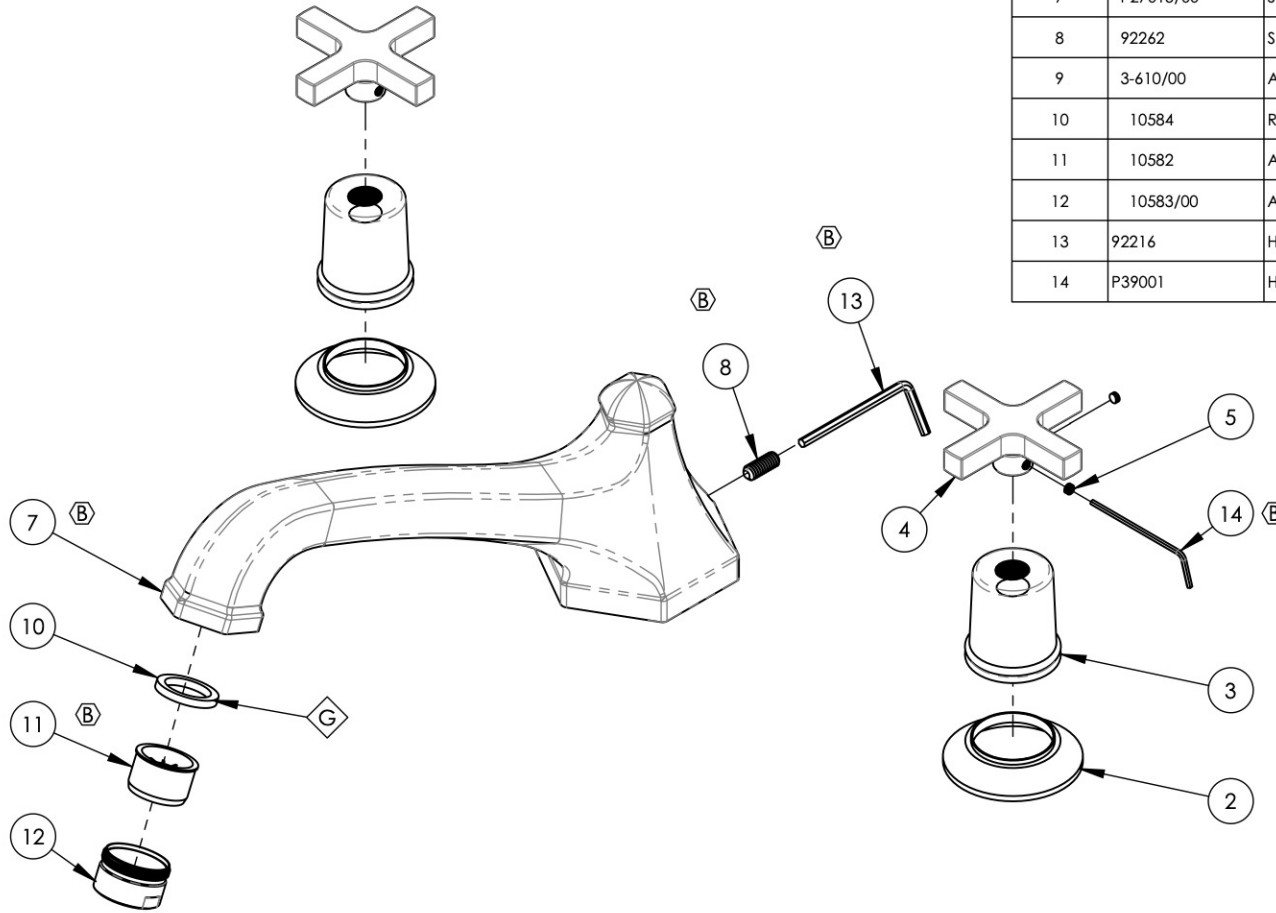


NOTE(S):
 1. PART NUMBER, "/00" DENOTES PART SHALL HAVE FINISH.

2. APPLY NSF COMPLIANT GREASE TO ANY O-RING, SEALING JOINTS, AND/OR PIVOTAL POINTS.



ITEM NO.	PART NUMBER	DESCRIPTION	QTY.
1	3-132/00	CROSS HANDLE, HEX MODERN, 501 SERIES	2
2	10921/00	ESCUTCHEON, TRANSITIONAL	1
3	10922/00	HUB, FOR HEX TRANSITIONAL	1
4	10633/00	HANDLE CROSS, CONTEMPORARY 16PT	1
5	92163	SET SCREW, CONE PT 8-32 X 1/8"L	2
6	3-144/00	SPOUT, DECK TUB,500/501 SERIES	1
7	P27015/00	SPOUT, DECK TUB, LE VERRE LA CROSSE	1
8	92262	SET SCREW, CUP PT 1/4"-20 X 5/8"L	1
9	3-610/00	AERATOR & HOUSING, M28X1, TUB FILLER, FULL FLOW	1
10	10584	RUBBER SEAL, AERATOR GASKET 1.0"OD X .753"ID X .125"THK	1
11	10582	AERATOR, NEOSTRAHL, M28, TUB FILLER, FULL FLOW	1
12	10583/00	AERATOR HOUSING, M28 41.2007.000	1
13	92216	HEX L-KEY 1/8" HEX x 2-5/16"L	1
14	P39001	HEX KEY 5/64, FOR 8-32 SET SCREW	1



ALL	B	UPDATE SPOUT ASSY, ADD HEX KEYS, UPDATE DWG NAME	12/3/2019	AMM
ZONE	REV.	DESCRIPTION	DATE	APPROVED
REVISIONS				

1261 LOGAN AVENUE
 COSTA MESA, CALIFORNIA 92626
 PHONE: 714.361.4800
 FAX: 714.617.3120

PHYLIRICH[®]
 Defining Luxury Since 1959

PROPRIETARY AND CONFIDENTIAL
 THE INFORMATION CONTAINED IN THIS DRAWING IS THE SOLE PROPERTY OF PHYLIRICH. ANY REPRODUCTION IN PART OR AS A WHOLE WITHOUT THE WRITTEN PERMISSION OF PHYLIRICH IS PROHIBITED.

-	-	INTERPRET GEOMETRIC DIMENSIONING & TOLERANCING IN ACCORDANCE WITH ASME Y14.5-2009 & ASME Y14.41-2003 STANDARDS, UNLESS OTHERWISE SPECIFIED. DIMENSIONS ARE IN INCHES. TOLERANCES ARE:		
NEXT ASSY	USED ON	FRACTIONS ±1/16"	DECIMALS X.X: ±.1 X.XX: ±.01 X.XXX: ±.005	ANGULAR ±2°
MATERIAL	APPLICATION	NAME	DATE	
FINISH	DRAWN	FME	11/19/2015	
DO NOT SCALE DRAWING		CHECKED	LLO	

DECK TUB SET, HEX SPOUT W/ CROSS, HEX MODERN

SIZE A	ASM/PRT NO. 501-40/00	REV B
SCALE: 1:3	WEIGHT: lbs.	SHEET 1 OF 2