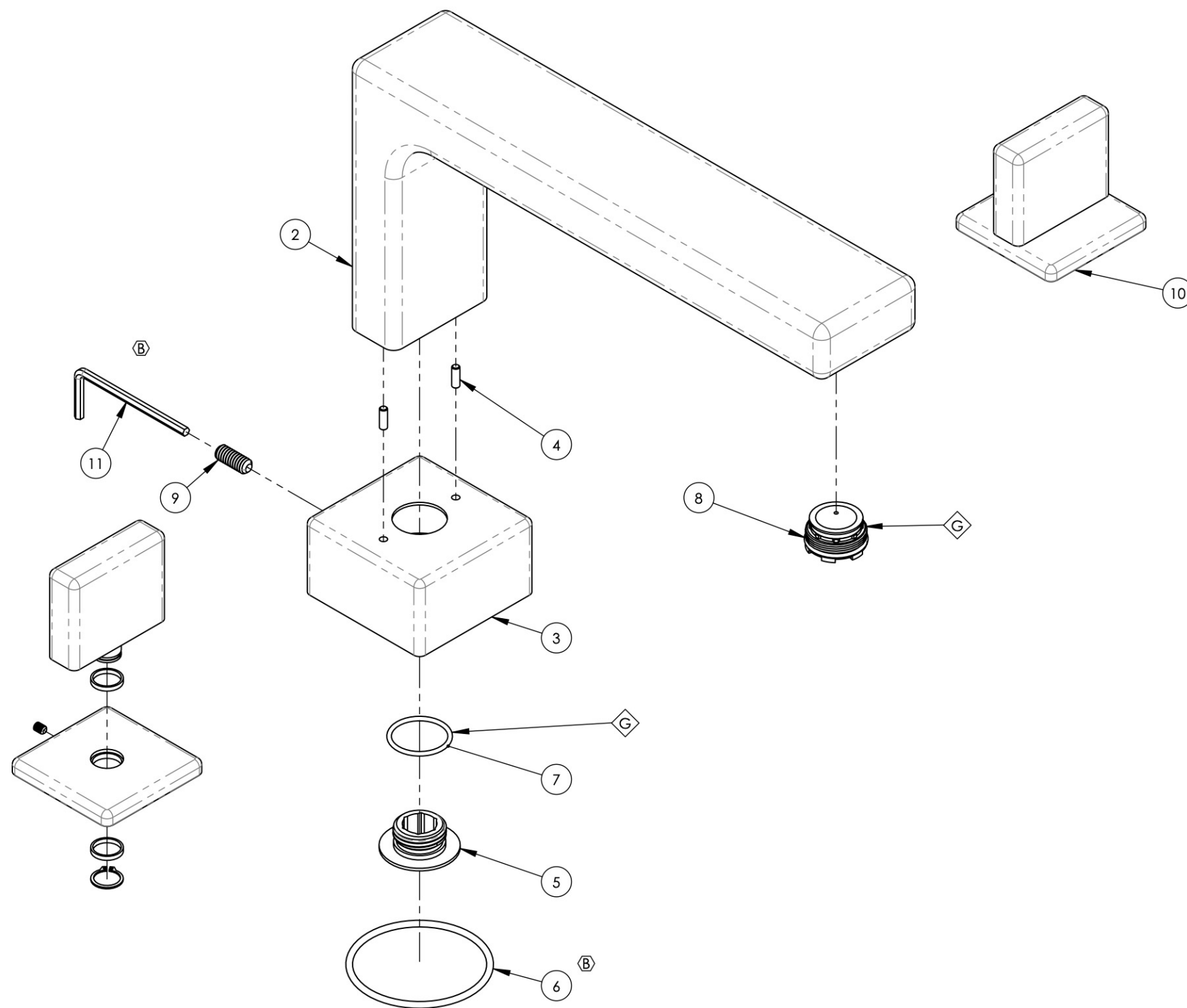


NOTE(S):
 1. PART NUMBER, "/00" DENOTES PART SHALL HAVE FINISH.
 2. APPLY NSF COMPLIANT GREASE TO ANY O-RING, SEALING JOINTS, AND/OR PIVOTAL POINTS.



ITEM NO.	PART NUMBER	DESCRIPTION	QTY.
1	3-099/00	ASSEMBLY, SPOUT ROMAN TUB, LOW, MIX SERIES	1
2	10949/00	SPOUT, DECK TUB 290 MIX	1
3	11221/00	ESCUTCHEON, SPOUT MIX SERIES	1
4	92158	DOWEL PIN, 1/8" X 3/8"L	2
5	11220	SPUD SCREW, 1/2"-NPSM CONNECTOR	1
6	90137	O-RING, 2-1/16"ID X 3/32"THK., AS-568-137	1
7	90020	O-RING, 7/8"ID X 1"OD X 1/16"THK., AS-568-020	1
8	P05051	AERATOR, CACHE COINED SLOT M24X1.0 FULL FLOW	1
9	92262	SET SCREW, CUP PT 1/4"-20 X 5/8"L	1
10	3-101/00	ASSY, HANDLE BLADE MIX	2
11	92216	HEX L-KEY 1/8" HEX X 2-5/16"L	1



ALL	B	UPDATE TEMPLATE/ DWG NAME, UPDATE O-RING, ADD HEX KEY	11/15/2019	AMM
ZONE	REV.	DESCRIPTION	DATE	APPROVED
REVISIONS				
1261 LOGAN AVENUE COSTA MESA, CALIFORNIA 92626 PHONE: 714.361.4800 FAX: 714.617.3120		PHYLIRICH Defining Luxury Since 1959	PROPRIETARY AND CONFIDENTIAL THE INFORMATION CONTAINED IN THIS DRAWING IS THE SOLE PROPERTY OF PHYLIRICH. ANY REPRODUCTION IN PART OR AS A WHOLE WITHOUT THE WRITTEN PERMISSION OF PHYLIRICH IS PROHIBITED.	

NEXT ASSY	USED ON	FRACTIONS ±1/16"	DECIMALS X.X: ±.1 X.XX: ±.01 X.XXX: ±.005	ANGULAR ±2°
APPLICATION		MATERIAL	NAME	DATE
FINISH		DRAWN	CA	5/28/2013
DO NOT SCALE DRAWING		CHECKED	MAF	

DECK TUB SET, BLADE, MIX		
SIZE B	ASM/PRT NO. 290-40/00	REV B
SCALE: 1:2	WEIGHT: lbs.	SHEET 1 OF 2