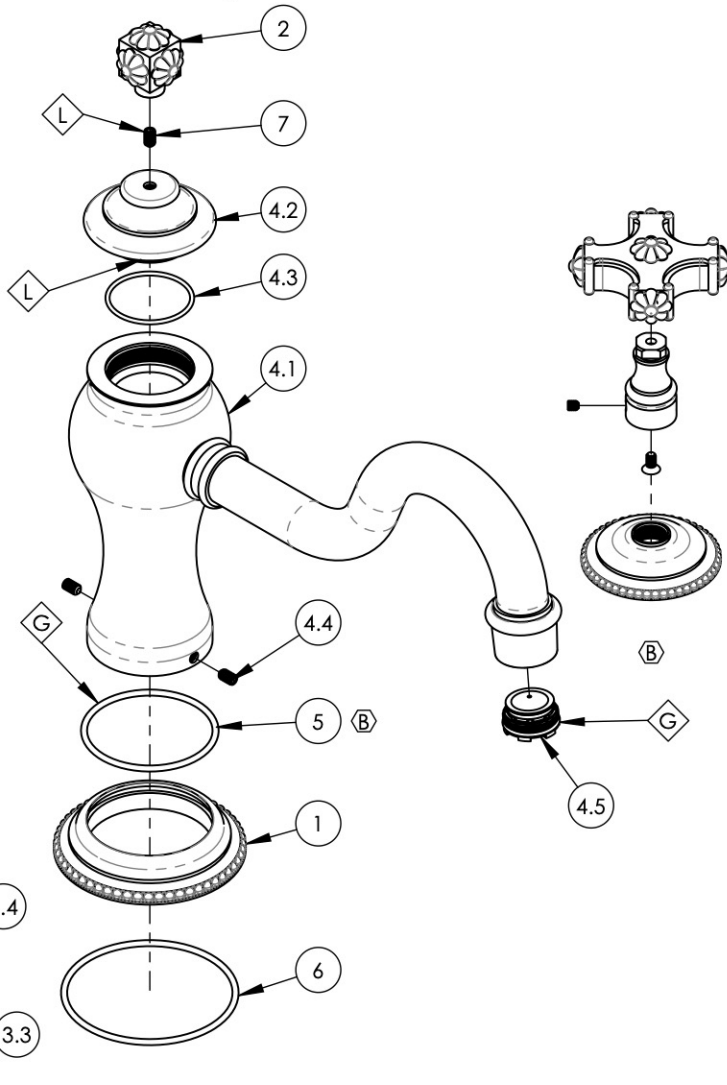


- NOTE(S):
1. APPLY NSF COMPLIANT GREASE TO ANY O-RING, SEALING JOINTS, AND/OR PIVOTAL POINTS.
 2. APPLY NSF COMPLIANT LOCTITE TO THREADED AREA.



ITEM NO.	PART NUMBER	DESCRIPTION	QTY.
1	11310/00	ESCUTCHEON, DECK TUB, BEADED	1
2	2-115/00	SUB-ASSY. FINIAL POP-UP, MARVELLE SERIES	1
3	3-029/00	CROSS HANDLE, MARVELLE SERIES	2
3.1	10542/00	BASE HANDLE, CROSS MARVELLE	1
3.2	92008	SET SCREW, CUP POINT 8-32, 3/16" L.	2
3.3	10540/00	ESCUTCHEON, MARVELLE SERIES	1
3.4	92146	SCREW, FLAT HD. 8-32 x 5/16" L.	1
3.5	2-114/00	SUB-ASSY. HANDLE CROSS, MARVELLE SERIES	1
4	3-397/00	SUB ASSY. SPOUT, DECK TUB, COURONNE/MARVELLE SERIES	1
4.1	2-155/00	SUB ASSY. BRAZED BODY AND SPOUT, COURONNE/MARVELLE SERIES	1
4.2	11305/00	SPOUT CAP, DECK TUB	1
4.3	90028	O-RING, 1-3/8"ID X 1/16"THK., AS-568-028	1
4.4	92060	SET SCREW, 10-24 5/16" L.	2
4.5	P05051	AERATOR, CACHE COINED SLOT M24X1.0 FULL FLOW	1
5	90138	O-RING, 2 1/8"ID X 3/32"THK., AS-568-138	1
6	90149	O-RING, 2-13/16" ID X 3/32" THK, AS-568-149	1
7	92060	SET SCREW, 10-24 5/16" L.	1

ALL	B	REMOVE SLEEVE MOUNTS, UPDATE O-RING/ TEMPLATE	2/25/2020	AMM
ZONE	REV.	DESCRIPTION	DATE	APPROVED
REVISIONS				

1261 LOGAN AVENUE
COSTA MESA, CALIFORNIA 92626
PHONE: 714.361.4800
FAX: 714.617.3120

PHYLIRICH[®]
Defining Luxury Since 1959

PROPRIETARY AND CONFIDENTIAL
THE INFORMATION CONTAINED IN THIS DRAWING IS THE SOLE PROPERTY OF PHYLIRICH. ANY REPRODUCTION IN PART OR AS A WHOLE WITHOUT THE WRITTEN PERMISSION OF PHYLIRICH IS PROHIBITED.

-	-	INTERPRET GEOMETRIC DIMENSIONING & TOLERANCING IN ACCORDANCE WITH ASME Y14.5-2009 & ASME Y14.41-2003 STANDARDS, UNLESS OTHERWISE SPECIFIED. DIMENSIONS ARE IN INCHES. TOLERANCES ARE:		
NEXT ASSY	USED ON	FRACTIONS ±1/16"	DECIMALS X.X: ±.1 X.XX: ±.01 X.XXX: ±.005	ANGULAR ±2°
APPLICATION		NAME	DATE	
MATERIAL		DRAWN	LLO	10/16/2015
FINISH		CHECKED	GRE	
DO NOT SCALE DRAWING				

DECK TUB SET, CROSS HANDLES,
MARVELLE SERIES

SIZE	ASM/PRT NO.	REV
A	162-40/00	B
SCALE: 1:3.25	WEIGHT: lbs.	SHEET 1 OF 2