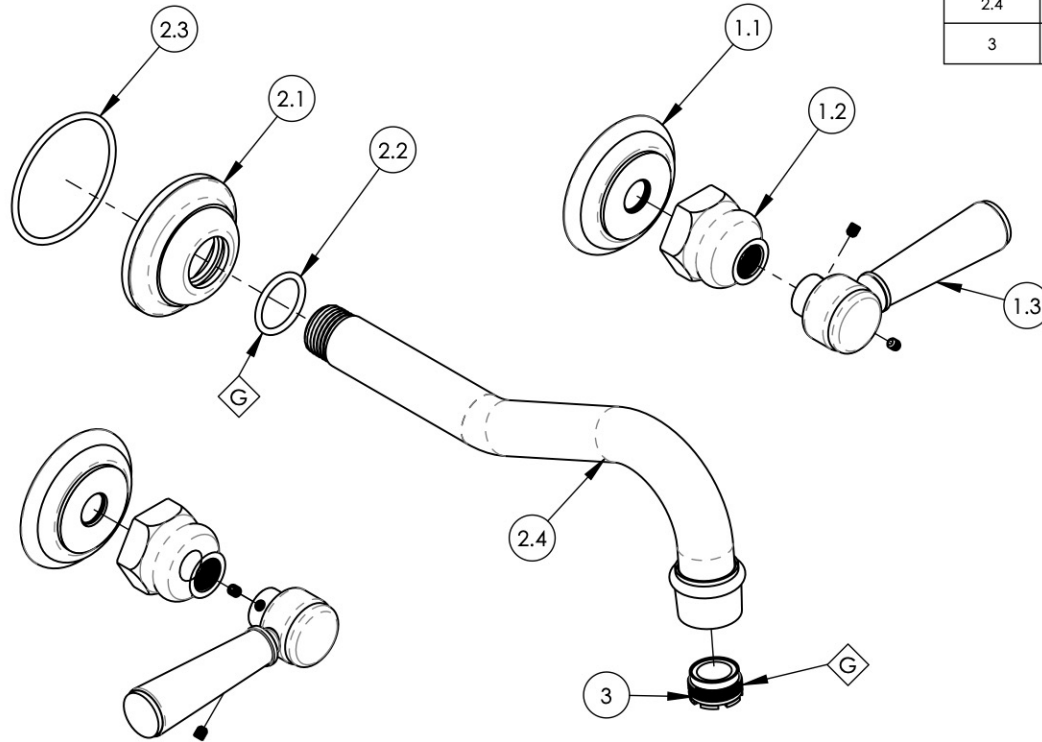


NOTE(S):  
 1. APPLY NSF COMPLIANT GREASE TO ANY O-RING, SEALING JOINTS, AND/OR PIVOTAL POINTS.

G

B



ITEM NO.	PART NUMBER	DESCRIPTION	QTY.
1	3-143/00	LEVER HANDLE, WALL/SOWER, 500 SERIES,	2
1.1	10618/00	ESCUTCHEON, TRADITIONAL 500	1
1.2	10621/00	BASE HUB NUT	1
1.3	2-141/00	SUB ASSY. LEVER HANDLE, 500 SERIES	1
2	3-390/00	WALL SPOUT, HENRI SERIES	1
2.1	11158/00	FLANGE, WALL TUB	1
2.2	90118	O-RING, 7/8"ID X 1-1/16"OD X 3/32"THK, AS-568-118	1
2.3	90137	O-RING, 2-1/16"ID X 3/32"THK., AS-568-137	1
2.4	2-108/00	SUB. ASSY, WALL SPOUT	1
3	P05024	AERATOR CACHE COIN SLOT, M21.5X1.0 FULL FLOW	1

ALL	B	UPDATE TEMPLATE, ADD CALL OUTS	4/23/2020	AMM
ZONE	REV.	DESCRIPTION	DATE	APPROVED
REVISIONS				

1261 LOGAN AVENUE  
 COSTA MESA, CALIFORNIA 92626  
 PHONE: 714.361.4800  
 FAX: 714.617.3120

**PHYLIRICH**<sup>®</sup>  
 Defining Luxury Since 1959

**PROPRIETARY AND CONFIDENTIAL**  
 THE INFORMATION CONTAINED IN THIS DRAWING IS THE SOLE PROPERTY OF PHYLIRICH. ANY REPRODUCTION IN PART OR AS A WHOLE WITHOUT THE WRITTEN PERMISSION OF PHYLIRICH IS PROHIBITED.

-	-	INTERPRET GEOMETRIC DIMENSIONING & TOLERANCING IN ACCORDANCE WITH ASME Y14.5-2009 & ASME Y14.41-2003 STANDARDS, UNLESS OTHERWISE SPECIFIED. DIMENSIONS ARE IN INCHES. TOLERANCES ARE:		
NEXT ASSY	USED ON	FRACTIONS ±1/16"	DECIMALS X.X: ±.1 X.XX: ±.01 X.XXX: ±.005	ANGULAR ±2°
APPLICATION		MATERIAL	NAME	DATE
FINISH		DRAWN	11/2/2015	
<b>DO NOT SCALE DRAWING</b>		CHECKED	GRE	

**WALL TUB SET, LEVER HANDLES, HENRI SERIES**

SIZE	ASM/PRT NO.	REV
<b>A</b>	161-57/00	<b>B</b>
SCALE: 1:3	WEIGHT: lbs.	SHEET 1 OF 2