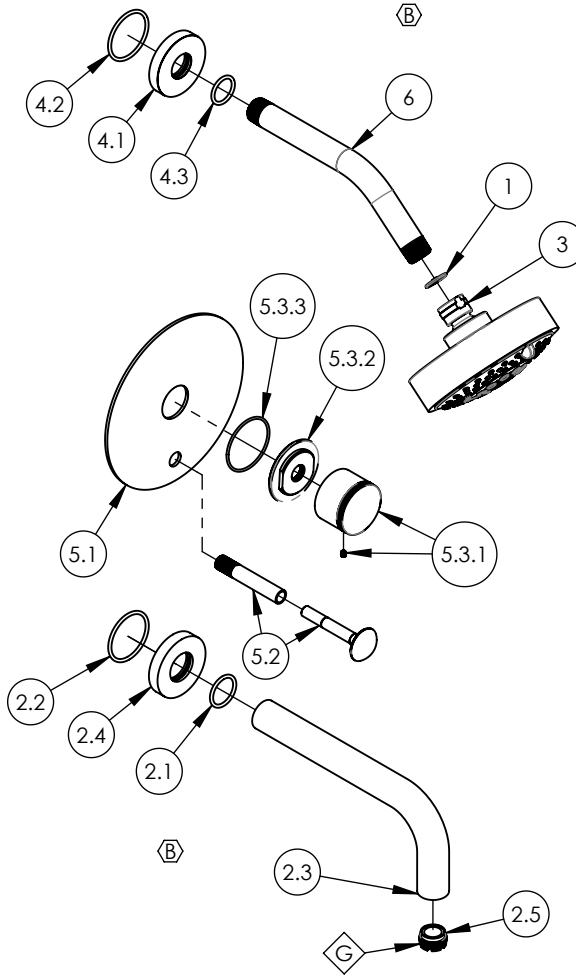


- NOTE(S):
- PART NUMBER, "/00" DENOTES PART SHALL HAVE FINISH.
 - APPLY NSF COMPLIANT GREASE TO ANY O-RING, SEALING JOINTS, AND/OR PIVOTAL POINTS.
 - APPLY NSF COMPLIANT LOCTITE TO THREADED AREA.
 - APPLY NSF COMPLIANT REMOVABLE (BLUE) LOCTITE TO THREADED AREA.
 - SILVER SOLDER JOINTS SHALL BE FULLY WETTED VIA CAPILLARY ACTION AND COMPLETELY NON-POROUS.



ITEM NO.	PART NUMBER	DESCRIPTION	QTY.
1	11432	1.75 GPM FLOW REGULATOR	1
2	3-418/00	WALL TUB, SPOUT ONLY, 7-1/2" L, BASIC	1
2.1	90119	O-RING, 15/16"ID X 1-1/8"OD X 3/32"THK, AS-568-119	1
2.2	90129	O-RING, 1-9/16"ID X 3/32THK, AS-568-129	1
2.3	P19018/00	7-1/2" WALL LAV SPOUT, BASIC SERIES	1
2.4	P19017/00	ESCUTCHEON, FOR SPOUT	1
2.5	P05024	AERATOR CACHE COIN SLOT, M21.5X1.0 FULL FLOW	1
3	3-454/00	SHOWER HEAD MULTI. FUNC. CONTEMP.	1
4	3-700/00	SHOWER FLANGE, CONTEMPORARY, ROUND	1
4.1	P16019/00	BASE SHOWER FLANGE, BASIC SERIES	1
4.2	90129	O-RING, 1-9/16"ID X 3/32THK, AS-568-129	1
4.3	90117	O-RING, 7/8"ID X 33/32"THK., AS-568-117	1
5	4-196/00	SHOWER PLATE W/DIVERTER, KNURLED HANDLE, BASIC II	1
5.1	10445/00	TRIM PLATE 6" ROUND W/ DIVERTER HOLE, BASIC II	1
5.2	3-125/00	DIVERTER EXTENSION ASSY FOR PB TUB & SHOWER SET	1
5.3	3-329/00	SUB ASSY. KNURLED HANDLE, BASIC II	1
5.3.1	2-247/00	HANDLE KNURLED, BASIC II	1
5.3.2	11164/00	ESCUTCHEON BASE, CONTEMP. BASIC II	1
5.3.3	90031	O-RING, 1-3/4"ID X 1/16"THK, AS-568-031	1
6	P16008/00	SHOWER ARM (8 INCH)	1

ALL	B	UPDATE SPOUT SUBASSY, DISSOLVE SHOWER HEAD SUBASSY	11/19/2021	AMM
ZONE	REV.	DESCRIPTION	DATE	APPROVED
REVISIONS				

1261 LOGAN AVENUE
COSTA MESA, CALIFORNIA 92626
PHONE: 714.361.4800
FAX: 714.617.3120

PHYLIRICH[®]
Defining Luxury Since 1959

PROPRIETARY AND CONFIDENTIAL
THE INFORMATION CONTAINED IN THIS DRAWING IS THE SOLE PROPERTY OF PHYLIRICH. ANY REPRODUCTION IN PART OR AS A WHOLE WITHOUT THE WRITTEN PERMISSION OF PHYLIRICH IS PROHIBITED.
DO NOT SCALE DRAWING

PRESSURE BALANCE TUB & SHOWER KIT, KNURLED HANDLE, BASIC II

SIZE A	ASM/PRT NO. 230-26/00	REV B
SCALE: 1:6	WEIGHT: lbs.	SHEET 1 OF 2

5

4

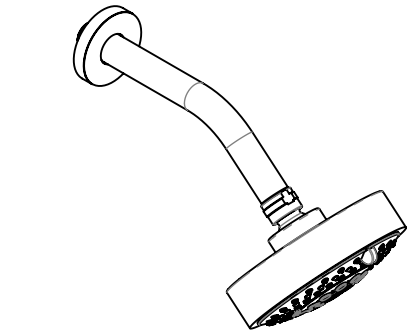
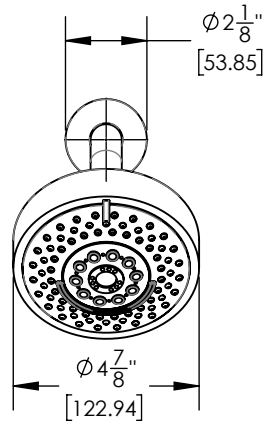
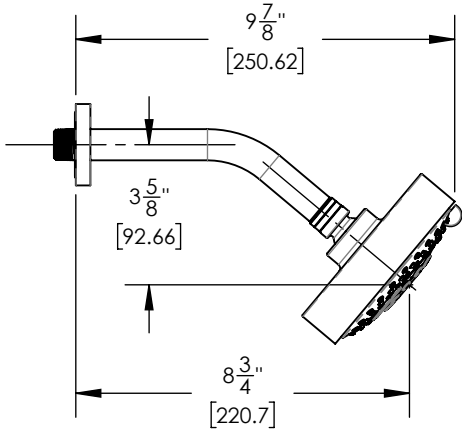
3

2

1

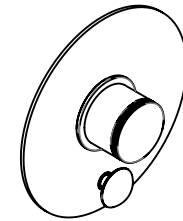
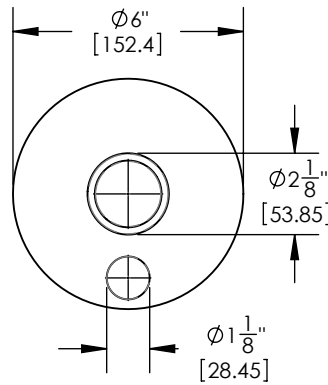
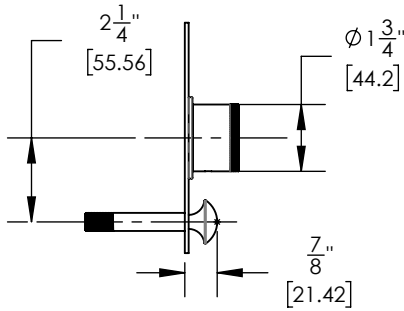
E

E



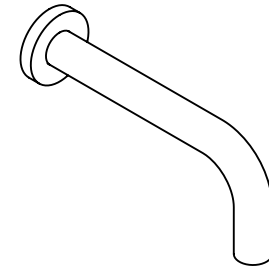
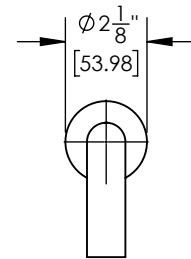
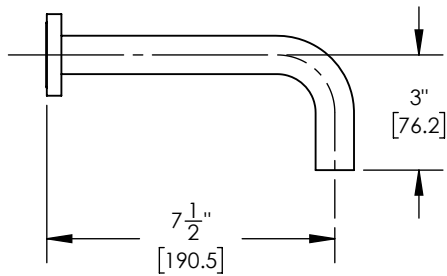
D

D



C

C



B

B

A

A

1261 LOGAN AVENUE
COSTA MESA, CALIFORNIA 92626
PHONE: 714.361.4800
FAX: 714.617.3120

PHYLIRICH[®]
Defining Luxury Since 1959

PROPRIETARY AND CONFIDENTIAL
THE INFORMATION CONTAINED IN THIS DRAWING IS THE SOLE PROPERTY OF PHYLIRICH. ANY REPRODUCTION IN PART OR AS A WHOLE WITHOUT THE WRITTEN PERMISSION OF PHYLIRICH IS PROHIBITED.
DO NOT SCALE DRAWING

PRESSURE BALANCE TUB & SHOWER KIT, KNURLED HANDLE, BASIC II

SIZE A	ASM/PRT NO. 230-26/00	REV B
SCALE: 1:5	WEIGHT: lbs.	SHEET 2 OF 2

5

4

3

2

1