

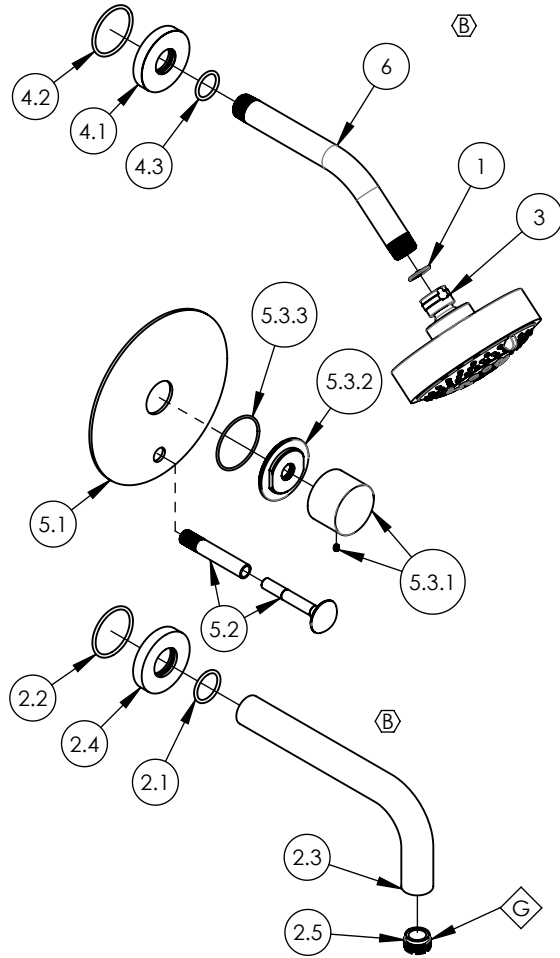
NOTE(S):
 1. PART NUMBER, "/00" DENOTES PART SHALL HAVE FINISH.

2. APPLY NSF COMPLIANT GREASE TO ANY O-RING, SEALING JOINTS, AND/OR PIVOTAL POINTS.

3. APPLY NSF COMPLIANT LOCTITE TO THREADED AREA.

4. APPLY NSF COMPLIANT REMOVABLE (BLUE) LOCTITE TO THREADED AREA.

5. SILVER SOLDER JOINTS SHALL BE FULLY WETTED VIA CAPILLARY ACTION AND COMPLETELY NON-POROUS.



ITEM NO.	PART NUMBER	DESCRIPTION	QTY.
1	11432	1.75 GPM FLOW REGULATOR	1
2	3-418/00	WALL TUB, SPOUT ONLY, 7-1/2" L, BASIC	1
2.1	90119	O-RING, 15/16"ID X 1-1/8"OD X 3/32"THK, AS-568-119	1
2.2	90129	O-RING, 1-9/16"ID X 3/32THK, AS-568-129	1
2.3	P19018/00	7-1/2" WALL LAV SPOUT, BASIC SERIES	1
2.4	P19017/00	ESCUTCHEON, FOR SPOUT	1
2.5	P05024	AERATOR CACHE COIN SLOT, M21.5X1.0 FULL FLOW	1
3	3-454/00	SHOWER HEAD MULTI. FUNC. CONTEMP.	1
4	3-700/00	SHOWER FLANGE, CONTEMPORARY, ROUND	1
4.1	P16019/00	BASE SHOWER FLANGE, BASIC SERIES	1
4.2	90129	O-RING, 1-9/16"ID X 3/32THK, AS-568-129	1
4.3	90117	O-RING, 7/8"ID X 33/32"THK., AS-568-117	1
5	4-197/00	SHOWER PLATE W/ DIVERTER, SMOOTH HANDLE, BASIC II	1
5.1	10445/00	TRIM PLATE 6" ROUND W/ DIVERTER HOLE, BASIC II	1
5.2	3-125/00	DIVERTER EXTENSION ASSY FOR PB TUB & SHOWER SET	1
5.3	3-386/00	SUB ASSY. SMOOTH HANDLE, BASIC II	1
5.3.1	2-248/00	HANDLE SMOOTH, BASIC II	1
5.3.2	11164/00	ESCUTCHEON BASE, CONTEMP. BASIC II	1
5.3.3	90031	O-RING, 1-3/4"ID X 1/16"THK, AS-568-031	1
6	P16008/00	SHOWER ARM (8 INCH)	1

ALL	B	UPDATE SPOUT SUBASSY, DISSOLVE SHOWER HEAD SUBASSY	11/19/2021	AMM
ZONE	REV.	DESCRIPTION	DATE	APPROVED
REVISIONS				

1261 LOGAN AVENUE
 COSTA MESA, CALIFORNIA 92626
 PHONE: 714.361.4800
 FAX: 714.617.3120

PHYLIRICH[®]
 Defining Luxury Since 1959

PROPRIETARY AND CONFIDENTIAL
 THE INFORMATION CONTAINED IN THIS DRAWING IS THE SOLE PROPERTY OF PHYLIRICH. ANY REPRODUCTION IN PART OR AS A WHOLE WITHOUT THE WRITTEN PERMISSION OF PHYLIRICH IS PROHIBITED.
DO NOT SCALE DRAWING

**PRESSURE BALANCE TUB & SHOWER KIT,
 SMOOTH HANDLE, BASIC II**

SIZE A	ASM/PRT NO. 230-27/00	REV B
SCALE: 1:6	WEIGHT: lbs.	SHEET 1 OF 2

5

4

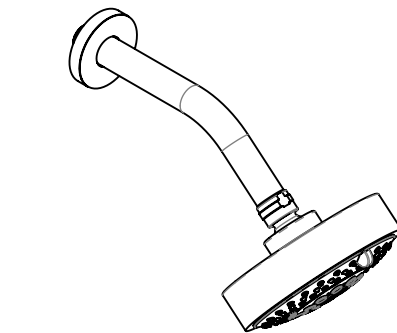
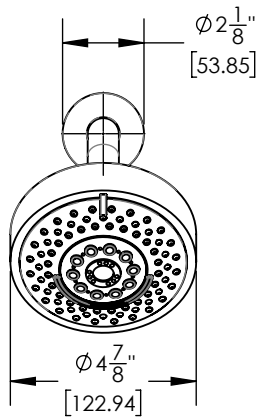
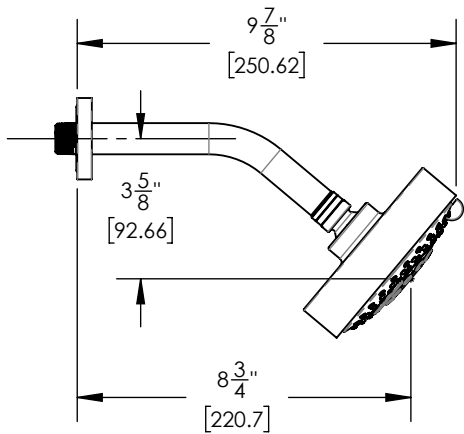
3

2

1

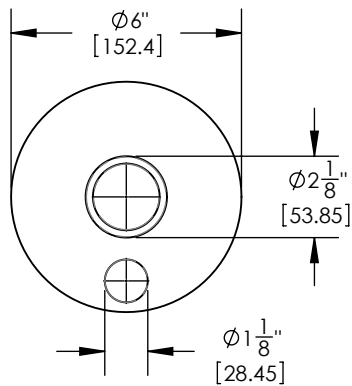
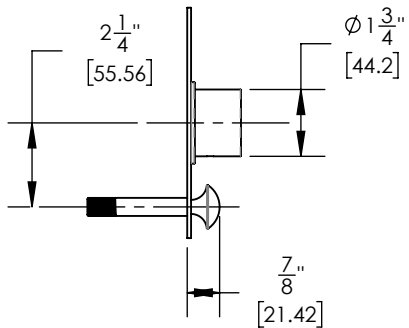
E

E



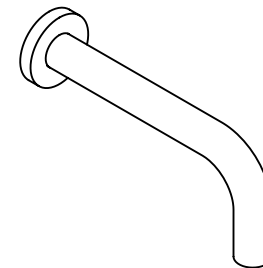
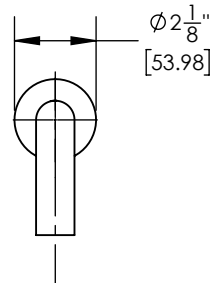
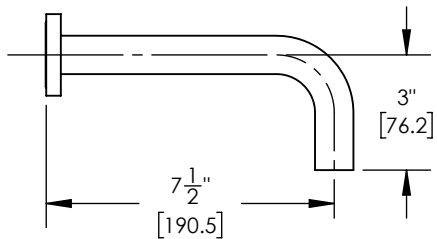
D

D



C

C



B

B

A

A

1261 LOGAN AVENUE
COSTA MESA, CALIFORNIA 92626
PHONE: 714.361.4800
FAX: 714.617.3120

PHYLIRICH[®]
Defining Luxury Since 1959

PROPRIETARY AND CONFIDENTIAL
THE INFORMATION CONTAINED IN THIS DRAWING IS THE SOLE PROPERTY OF PHYLIRICH. ANY REPRODUCTION IN PART OR AS A WHOLE WITHOUT THE WRITTEN PERMISSION OF PHYLIRICH IS PROHIBITED.
DO NOT SCALE DRAWING

**PRESSURE BALANCE TUB & SHOWER KIT,
SMOOTH HANDLE, BASIC II**

SIZE A	ASM/PRT NO. 230-27/00	REV B
SCALE: 1:5	WEIGHT: lbs.	SHEET 2 OF 2

5

4

3

2

1