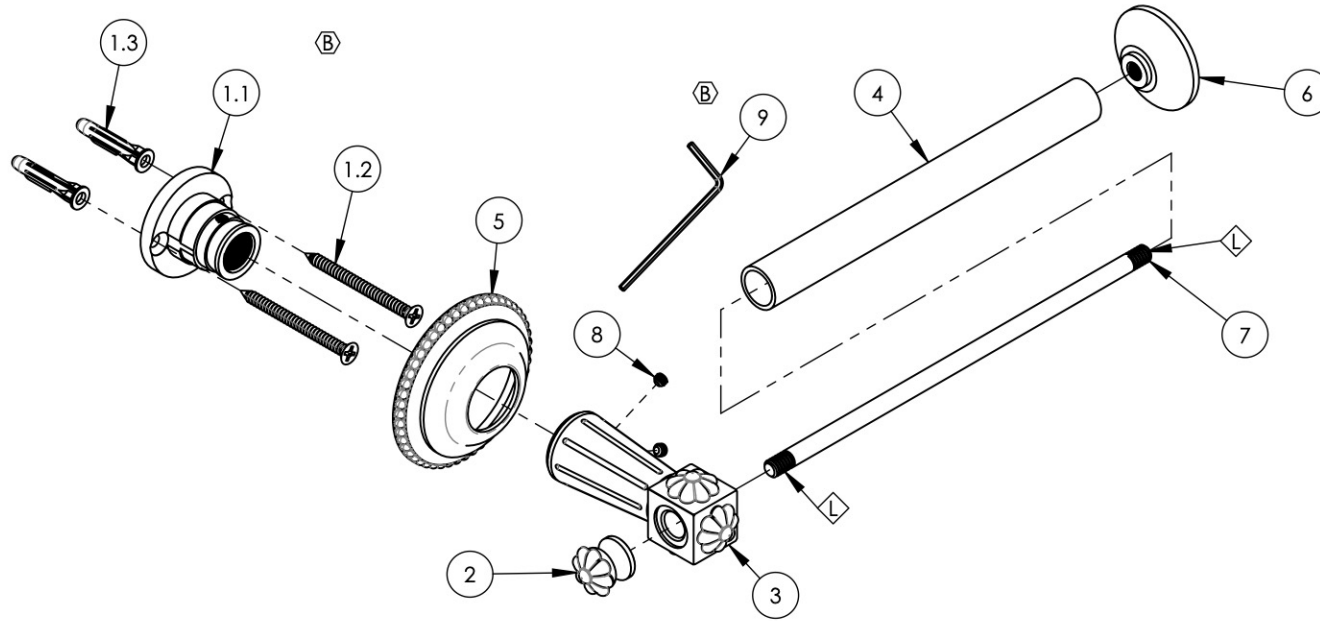


NOTE(S):
 1. APPLY NSF COMPLIANT LOCTITE TO THREADED AREA. L

ITEM NO.	PART NUMBER	DESCRIPTION	QTY.
1	2-103	MOUNTING KIT WITH ADJUSTABLE THREADED PIN	1
1.1	11050	MOUNTING KIT, WALL FLANGE	1
1.2	92234	SCREW FOR WOOD, PHIL. NO. 8 X 1-1/2"L	2
1.3	92235	ANCHOR FOR DRYWALL, TWIST-ACTION NO. 6-8 SIZE	2
2	2-112/00	SUB-ASSY. FINIAL EXTENSION BACK LEVER	1
3	2-156/00	SUB ASSY. TOWEL BAR POST, MARVELLE	1
4	11059/00	BAR TUBE FOR TP HOLDER, 501 SERIES	1
5	11267/00	ESCUTCHEON, ACCESSORIES, MARVELLE	1
6	11270/00	TP HOLDER FINIAL, MARVELLE	1
7	11315	1/4" ROD, TP HOLDER SINGLE POST	1
8	92248	SET SCREW, CUP POINT 8-32 UNC, 1/8" L.	2
9	P39001	HEX KEY 5/64, FOR 8-32 SET SCREW	1



ALL	B	UPDATE TEMPLATE, DWG NAME, MOUTING KIT, ADD HEX KEY	7/29/2020	AMM
ZONE	REV.	DESCRIPTION	DATE	APPROVED
REVISIONS				

1261 LOGAN AVENUE
 COSTA MESA, CALIFORNIA 92626
 PHONE: 714.361.4800
 FAX: 714.617.3120

PHYL RICH[®]
 Defining Luxury Since 1959

PROPRIETARY AND CONFIDENTIAL
 THE INFORMATION CONTAINED IN THIS DRAWING IS THE SOLE PROPERTY OF PHYL RICH. ANY REPRODUCTION IN PART OR AS A WHOLE WITHOUT THE WRITTEN PERMISSION OF PHYL RICH IS PROHIBITED.

-	-	INTERPRET GEOMETRIC DIMENSIONING & TOLERANCING IN ACCORDANCE WITH ASME Y14.5-2009 & ASME Y14.41-2003 STANDARDS, UNLESS OTHERWISE SPECIFIED. DIMENSIONS ARE IN INCHES. TOLERANCES ARE:		
NEXT ASSY	USED ON	FRACTIONS ±1/16"	DECIMALS X.X: ±.1 X.XX: ±.01 X.XXX: ±.005	ANGULAR ±2°
APPLICATION		MATERIAL	NAME	DATE
FINISH		DRAWN	LLO	10/20/2015
DO NOT SCALE DRAWING		CHECKED	GRE	

TOILET PAPER HOLDER, SINGLE POST, MARVELLE

SIZE	ASM/PRT NO.	REV
A	162-74/00	B

SCALE: 1:2.5 WEIGHT: lbs. SHEET 1 OF 2