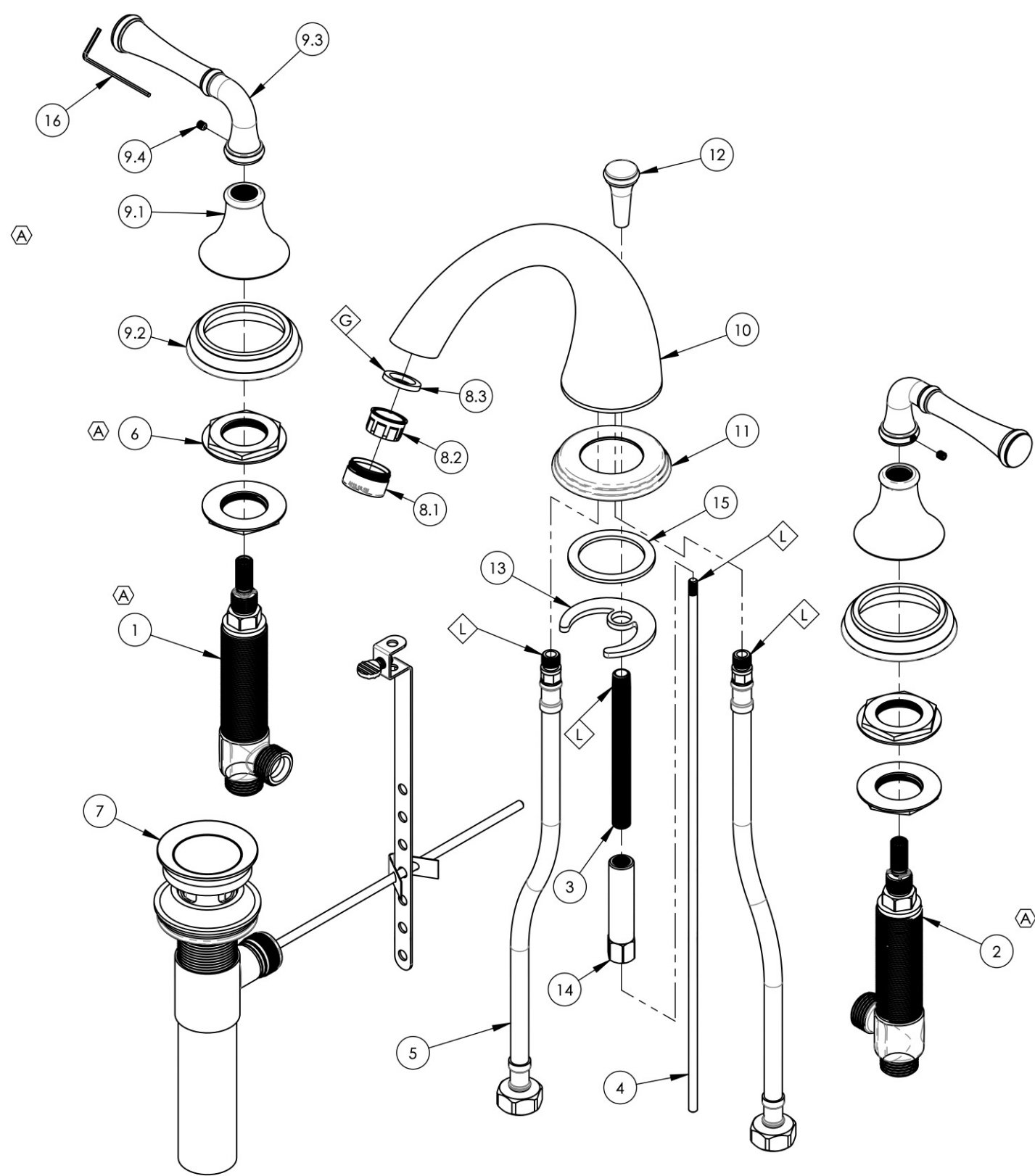


- NOTE(S):
1. APPLY NSF COMPLIANT GREASE TO ANY O-RING, SEALING JOINTS, AND/OR PIVOTAL POINTS.
  2. APPLY NSF COMPLIANT LOCTITE TO THREADED AREA.



ITEM NO.	PART NUMBER	DESCRIPTION	QTY.
1	1-149	WIDESPREAD VALVE LAV 16PT, HOT, ONLY	1
2	1-150	WIDESPREAD VALVE LAV 16PT, COLD, ONLY	1
3	10182	NIPPLE, SHANK 1/8"-27NPSM X 4"L	1
4	10719/00	POP-UP ROD, 10-24, 14" LONG	1
5	10720	HOSE, M10 TO 1/2NPSM	2
6	2-203	MOUNTING NUT KIT, WIDESPREAD LAV	4
7	3-046/00	POP-UP DRAIN ASSEMBLY (2-101, 2-102, & 2-246)	1
8	3-059/00	AERATOR, 15/16" MALE HOUSING	1
8.1	30032/00	AERATOR HOUSING 15/16" MALE HOUSING	1
8.2	11426	AERATOR DROP-IN INSERT 1.2 GPM, NEOPERL # 40.2060.00000	1
8.3	30030	RUBBER SEAL WASHER AERATOR, NEOPERL PRT # BW.7110.1	1
9	3-475/00	ASSY. LEVER HANDLE, 3 RING SERIES	2
9.1	10972/00	HUB, TRANSITIONAL 3RING	1
9.2	11188/00	ESCUTCHEON, HANDLE BASE 3RING	1
9.3	P01079/00	HANDLE, STRAIGHT LEVER 3RING 205	1
9.4	92008	SET SCREW, CUP POINT 8-32, 3/16" L.	1
10	P03024NL/00	SPOUT, SMOOTH	1
11	P03038	THREE RING SPOUT BASE F/D205/D206 LAV SPOUT	1
12	P04022	POP-UP KNOB, THREE RADIUS	1
13	P34002	C-WASHER FOR TEE LESS SPOUT	1
14	P34004	2" EXTENTION NUT F/TEE LEES SPOUT	1
15	P34005	GASKET FOR TEE LESS.	1
16	P39001	HEX KEY 5/64, FOR 8-32 SET SCREW	1

ALL	A	UPDATE TEMPLATE, VALVES/NUTS & HANDLE ASSY, ADD CALL OUTS	4/10/2020	AMM
ZONE	REV.	DESCRIPTION	DATE	APPROVED
REVISIONS				

1261 LOGAN AVENUE  
COSTA MESA, CALIFORNIA 92626  
PHONE: 714.361.4800  
FAX: 714.617.3120

**PHYLIRICH**<sup>®</sup>  
Defining Luxury Since 1959

**PROPRIETARY AND CONFIDENTIAL**  
THE INFORMATION CONTAINED IN THIS DRAWING IS THE SOLE PROPERTY OF PHYLIRICH. ANY REPRODUCTION IN PART OR AS A WHOLE WITHOUT THE WRITTEN PERMISSION OF PHYLIRICH IS PROHIBITED.

NEXT ASSY	USED ON	FRACTIONS ±1/16"	DECIMALS X.X: ±.1 X.XX: ±.01 X.XXX: ±.005	ANGULAR ±2°
APPLICATION				
MATERIAL				
FINISH				
DO NOT SCALE DRAWING				

<b>WIDESPREAD LAV FAUCET, STRAIGHT LEVER, 3RING, (D205/00)</b>		
SIZE	ASM/PRT NO.	REV
<b>B</b>	205-01/00	<b>A</b>
SCALE: 1:3	WEIGHT: lbs.	SHEET 1 OF 2