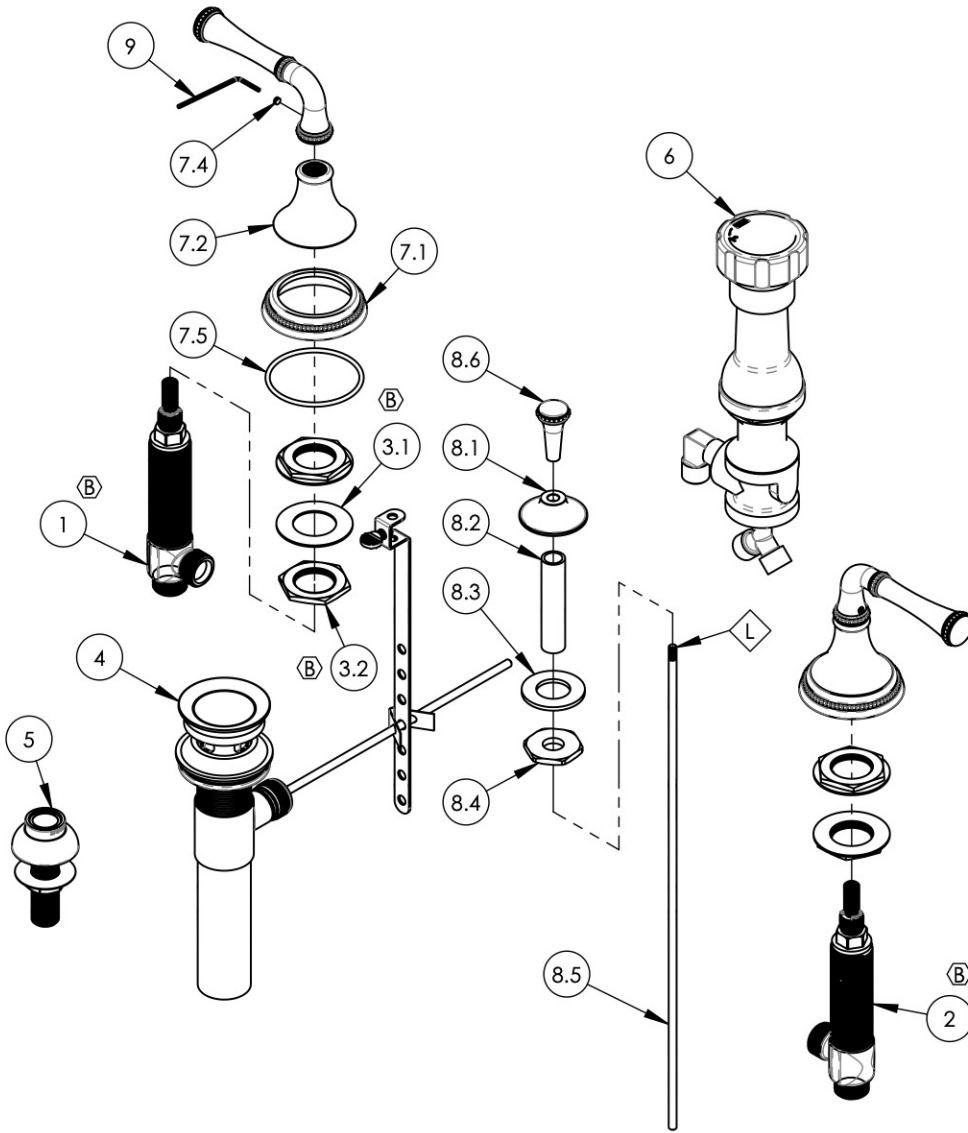


NOTE(S):
 1. APPLY NSF COMPLIANT LOCTITE TO THREADED AREA. L



ITEM NO.	PART NUMBER	DESCRIPTION	QTY.
1	1-149	WIDESPREAD VALVE LAV 16PT, HOT, ONLY	1
2	1-150	WIDESPREAD VALVE LAV 16PT, COLD, ONLY	1
3	2-203	MOUNTING NUT KIT, WIDESPREAD LAV	4
3.1	92252	WASHER, 1-1/32" ID 1-13/16" OD	1
3.2	92251	HEX NUT, 1"-20 THREAD	1
4	3-046/00	POP-UP DRAIN ASSEMBLY (2-101, 2-102, & 2-246)	1
5	3-085/00	ASSY, BIDET SPRAYER	1
6	3-160/00	BIDET DIVERTER, COMPLETE	1
7	3-311/00	LEVER HANDLE, BEADED SERIES	2
7.1	10973/00	ESCUTCHEON, BEADED HANDLE	1
7.2	10972/00	HUB, TRANSITIONAL 3RING	1
7.3	10971/00	HANDLE, BEADED LEVER 3RING	1
7.4	92163	SET SCREW, CONE PT 8-32 X 1/8"L	1
7.5	90138	O-RING, 2 1/8"ID X 3/32"THK., AS-568-138	1
8	3-315/00	POP UP ROD BIDET, BEADED SERIES	1
8.1	P09007/00	K4160 POP UP GUIDE	1
8.2	P32010	9/16-20 x 56 NIPPLE FOR COMPRESSION STEM	1
8.3	P35026	3/4" SAE FLAT WASHER	1
8.4	P09006	SPECIAL HEX F/BIDET SPRAYER	1
8.5	10719/00	POP-UP ROD, 10-24, 14" LONG	1
8.6	10975/00	POP-UP KNOB BEADED	1
9	P39001	HEX KEY 5/64, FOR 8-32 SET SCREW	1

ALL	B	UPDATE TEMPLATE, VALVE ASSYS, & MOUNTING NUT KIT, ADD 2ND SHEET	4/7/2020	AMM
ZONE	REV.	DESCRIPTION	DATE	APPROVED
REVISIONS				

1261 LOGAN AVENUE
 COSTA MESA, CALIFORNIA 92626
 PHONE: 714.361.4800
 FAX: 714.617.3120

PHYLIRICH[®]
 Defining Luxury Since 1959

PROPRIETARY AND CONFIDENTIAL
 THE INFORMATION CONTAINED IN THIS DRAWING IS THE SOLE PROPERTY OF PHYLIRICH. ANY REPRODUCTION IN PART OR AS A WHOLE WITHOUT THE WRITTEN PERMISSION OF PHYLIRICH IS PROHIBITED.

-	-	INTERPRET GEOMETRIC DIMENSIONING & TOLERANCING IN ACCORDANCE WITH ASME Y14.5-2009 & ASME Y14.41-2003 STANDARDS, UNLESS OTHERWISE SPECIFIED. DIMENSIONS ARE IN INCHES. TOLERANCES ARE:		
NEXT ASSY	USED ON	FRACTIONS ±1/16"	DECIMALS X.X: ±.1 X.XX: ±.01 X.XXX: ±.005	ANGULAR ±2°
APPLICATION		MATERIAL	NAME	DATE
FINISH		DRAWN	LLO	10/2/2015
DO NOT SCALE DRAWING		CHECKED	GRE	

FOUR HOLE BIDET SET, BEADED SERIES

SIZE	ASM/PRT NO.	REV
A	207-60/00	B

SCALE: 1:4.55 WEIGHT: lbs. SHEET 1 OF 2