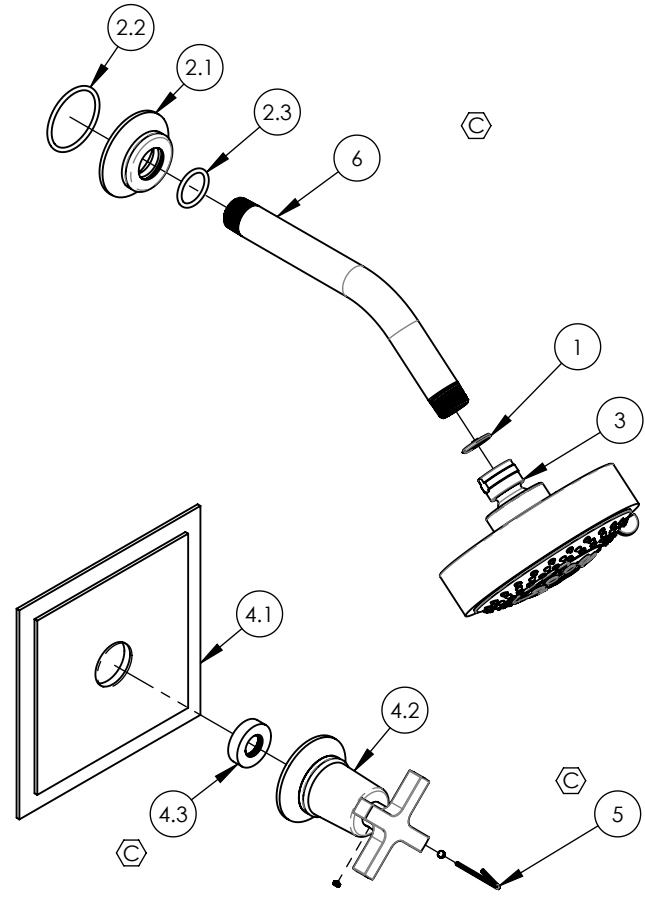


- NOTE(S):
 1. PART NUMBER, "/00" DENOTES PART SHALL HAVE FINISH.
 2. APPLY NSF COMPLIANT GREASE TO ANY O-RING, SEALING JOINTS, AND/OR PIVOTAL POINTS.
 3. APPLY NSF COMPLIANT LOCTITE TO THREADED AREA.
 4. APPLY NSF COMPLIANT REMOVABLE (BLUE) LOCTITE TO THREADED AREA.
 5. SILVER SOLDER JOINTS SHALL BE FULLY WETTED VIA CAPILLARY ACTION AND COMPLETELY NON-POROUS.

- G
- L
- B
- S



ITEM NO.	PART NUMBER	DESCRIPTION	QTY.
1	11432	1.75 GPM FLOW REGULATOR	1
2	3-449/00	SHOWER FLANGE, HEX MODERN	1
2.1	11039/00	SHOWER FLANGE	1
2.2	90128	O-RING, 1-1/2ID X 1-11/16OD X 3/32THK, AS-568-128	1
2.3	90117	O-RING, 7/8"ID X 33/32"THK., AS-568-117	1
3	3-454/00	SHOWER HEAD MULTI. FUNC. CONTEMP.	1
4	4-103/00	SHOWER TRIM PLATE, SINGLE HANDLE, CROSS, HEX MODERN	1
4.1	11037/00	TRIM PLATE - BEVELED EDGES	1
4.2	3-132/00	CROSS HANDLE, HEX MODERN, 501 SERIES	1
4.3	11087	SLEEVE FOR PB-THERM PLATE	1
5	92021	HEX KEY 5/64, FOR 8-32 SET SCREW	1
6	P16008/00	SHOWER ARM (8 INCH)	1

ALL	C	UPDATE SLEEVE MOUNT, DISSOLVE SHOWER SUBASSY. ADD FINISH TO ASSY #, REMOVE TAPE. ADD HEX KEY/FLOW REG	11/17/2021	AMM
ZONE	REV.	DESCRIPTION	DATE	APPROVED
REVISIONS				

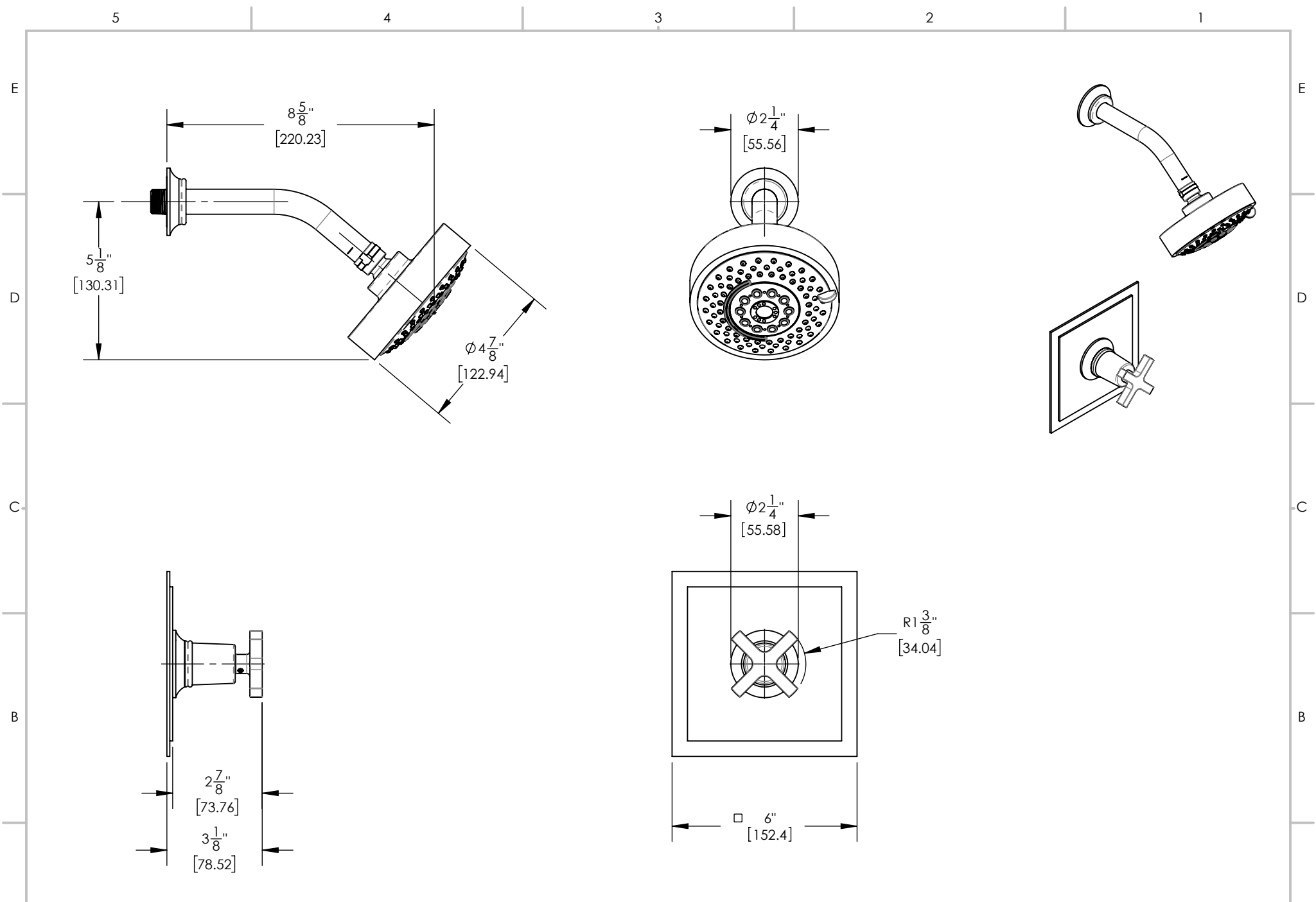
1261 LOGAN AVENUE
 COSTA MESA, CALIFORNIA 92626
 PHONE: 714.361.4800
 FAX: 714.617.3120

PHYLIRICH[®]
 Defining Luxury Since 1959

PROPRIETARY AND CONFIDENTIAL
 THE INFORMATION CONTAINED IN THIS DRAWING IS THE SOLE PROPERTY OF PHYLIRICH. ANY REPRODUCTION IN PART OR AS A WHOLE WITHOUT THE WRITTEN PERMISSION OF PHYLIRICH IS PROHIBITED.
DO NOT SCALE DRAWING

SHOWER TRIM SET - PRESSURE BALANCE, CROSS, HEX MODERN

SIZE A	ASM/PRT NO. 501-21/00	REV C
SCALE: 1:4.5	WEIGHT: lbs.	SHEET 1 OF 2



1261 LOGAN AVENUE
 COSTA MESA, CALIFORNIA 92626
 PHONE: 714.361.4800
 FAX: 714.617.3120

PHYLIRICH[®]
 Defining Luxury Since 1959

PROPRIETARY AND CONFIDENTIAL
 THE INFORMATION CONTAINED IN THIS DRAWING IS THE SOLE PROPERTY OF PHYLIRICH. ANY REPRODUCTION IN PART OR AS A WHOLE WITHOUT THE WRITTEN PERMISSION OF PHYLIRICH IS PROHIBITED.
DO NOT SCALE DRAWING

SHOWER TRIM SET - PRESSURE BALANCE, CROSS, HEX MODERN

SIZE A	ASM/PRT NO. 501-21/00	REV C
SCALE: 1:4	WEIGHT: lbs.	SHEET 2 OF 2

A

A