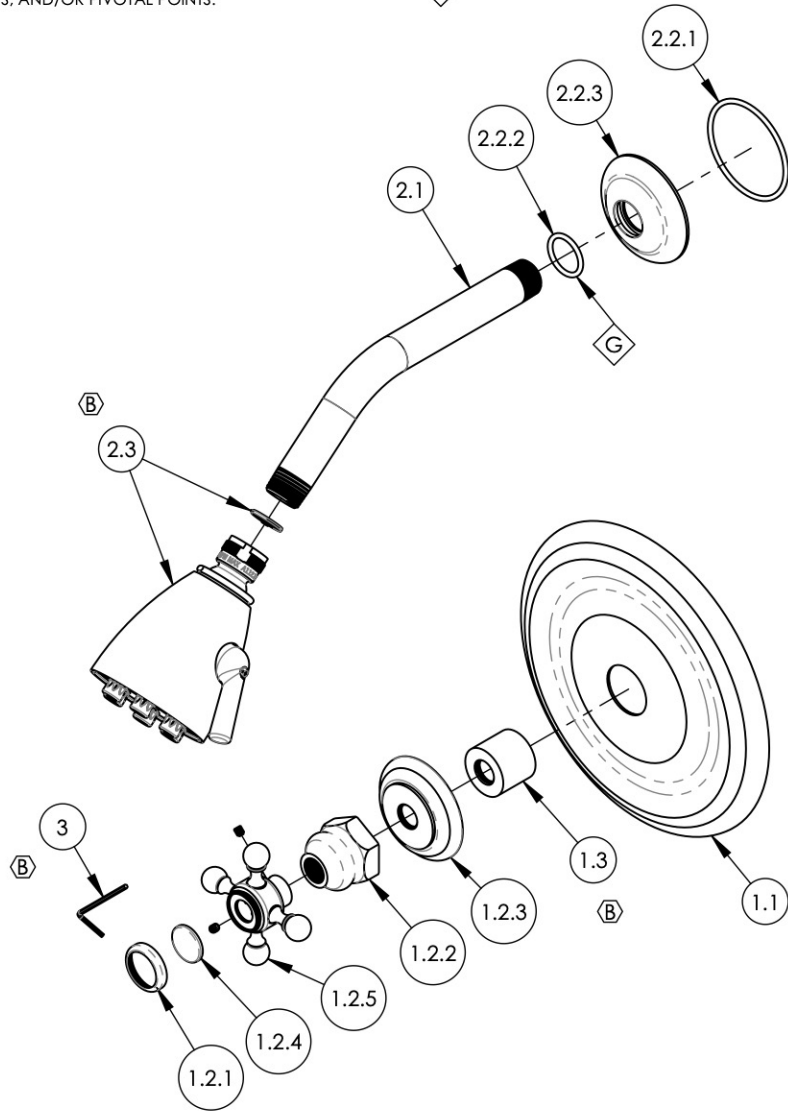


NOTE(S):
 1. PART NUMBER, "/00" DENOTES PART SHALL HAVE FINISH.

2. APPLY NSF COMPLIANT GREASE TO ANY O-RING, SEALING JOINTS, AND/OR PIVOTAL POINTS.



ITEM NO.	PART NUMBER	DESCRIPTION	QTY.
1	4-097/00	SHOWER TRIM PLATE, SINGLE HANDLE, CROSS, HEX TRADITIONAL	1
1.1	P17009/00	PRESSURE BALANCE TRIM PLATE	1
1.2	3-142B/00	CROSS HANDLE, WALL/SHOWER, 500 SERIES	1
1.2.1	10538/00	CAP RING FOR 500 SERIES BUTTON	1
1.2.2	10621/00	BASE HUB NUT	1
1.2.3	10618/00	ESCUTCHEON, TRADITIONAL 500	1
1.2.4	11097	PLASTIC BUTTON, BLANK	1
1.2.5	2-180/00	SUB ASSY. CROSS HANDLE HUB	1
1.3	11087	SLEEVE FOR PB-THERM PLATE	1
2	4-140/00	SHOWER HEAD 8" ARM, 6 JET PLUNGER, HEX TRADITIONAL	1
2.1	P16008/00	SHOWER ARM (8 INCH)	1
2.2	810/00	SHOWER FLANGE, TRADITIONAL	1
2.2.1	90138	O-RING, 2 1/8"ID X 3/32"THK., AS-568-138	1
2.2.2	90117	O-RING, 7/8"ID X 33/32"THK., AS-568-117	1
2.2.3	P16011/00	K803 SHOWER FLANGE	1
2.3	3-018/00	SHOWERHEAD SIX JET	1
3	P39001	HEX KEY 5/64, FOR 8-32 SET SCREW	1

ALL	B	UPDATE TEMPLATE, DWG NAME, SHOWER HEAD, ADD HEX KEY/ SLEEVE MOUNT	4/27/2020	AMM
ZONE	REV.	DESCRIPTION	DATE	APPROVED
REVISIONS				

1261 LOGAN AVENUE
 COSTA MESA, CALIFORNIA 92626
 PHONE: 714.361.4800
 FAX: 714.617.3120

PHYLIRICH[®]
 Defining Luxury Since 1959

PROPRIETARY AND CONFIDENTIAL
 THE INFORMATION CONTAINED IN THIS DRAWING IS THE SOLE PROPERTY OF PHYLIRICH. ANY REPRODUCTION IN PART OR AS A WHOLE WITHOUT THE WRITTEN PERMISSION OF PHYLIRICH IS PROHIBITED.

-	-	INTERPRET GEOMETRIC DIMENSIONING & TOLERANCING IN ACCORDANCE WITH ASME Y14.5-2009 & ASME Y14.41-2003 STANDARDS, UNLESS OTHERWISE SPECIFIED. DIMENSIONS ARE IN INCHES. TOLERANCES ARE:		
NEXT ASSY	USED ON	FRACTIONS ±1/16"	DECIMALS X.X: ±.1 X.XX: ±.01 X.XXX: ±.005	ANGULAR ±2°
MATERIAL	APPLICATION	NAME	DATE	
FINISH	DRAWN	LLO	9/16/2015	
DO NOT SCALE DRAWING		CHECKED	GRE	

SHOWER TRIM SET - PRESSURE BALANCE, CROSS, HEX TRADITIONAL

SIZE A	ASM/PRT NO. 500-21/00	REV B
SCALE: 1:4	WEIGHT: lbs.	SHEET 1 OF 2