

5

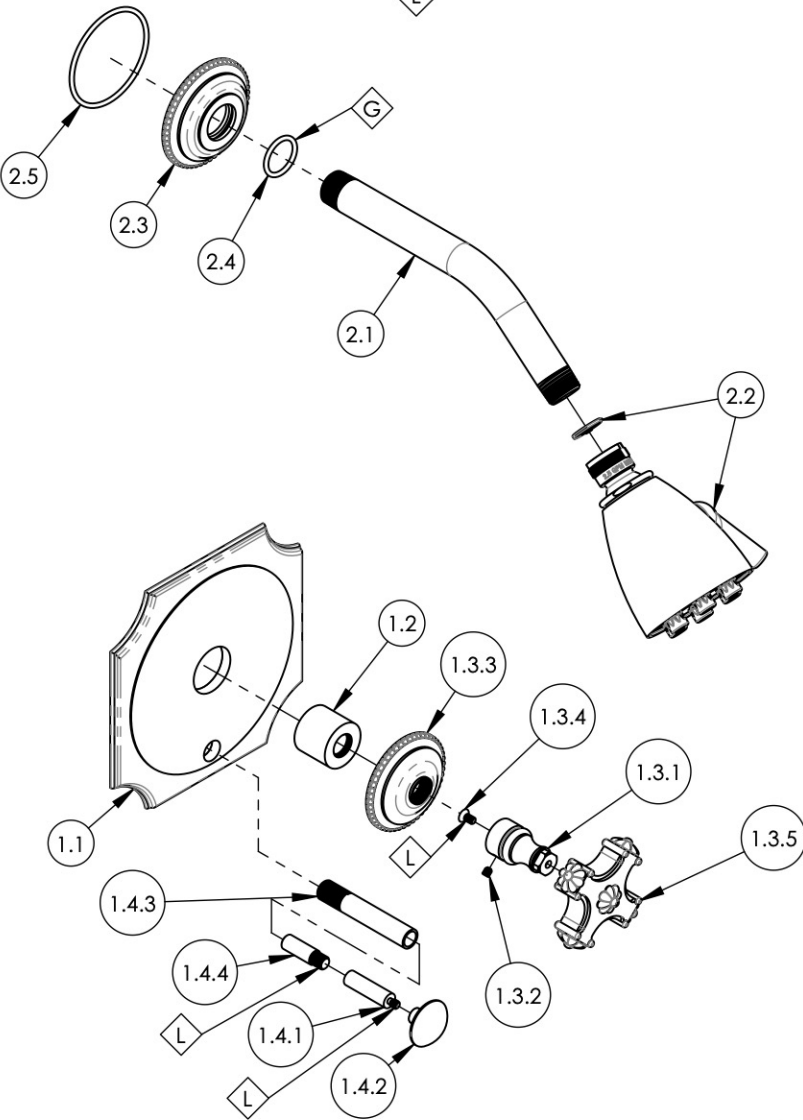
4

3

2

1

- NOTE(S):
1. APPLY NSF COMPLIANT GREASE TO ANY O-RING, SEALING JOINTS, AND/OR PIVOTAL POINTS. G
 2. APPLY NSF COMPLIANT LOCTITE TO THREADED AREA. L



ITEM NO.	PART NUMBER	DESCRIPTION	QTY.
1	4-479/00	SHOWER TRIM PLATE, PB DIVERTED, CROSS HANDLE, MARVELLE	1
1.1	10516/00	TRIM PLATE DIVERTED, FRENCH TRAD. PB/THERMO	1
1.2	11087	SLEEVE FOR PB-THERM PLATE	1
1.3	3-029/00	CROSS HANDLE, MARVELLE SERIES	1
1.3.1	10542/00	BASE HANDLE, CROSS MARVELLE	1
1.3.2	92008	SET SCREW, CUP POINT 8-32, 3/16" L.	2
1.3.3	10540/00	ESCUTCHEON, MARVELLE SERIES	1
1.3.4	92146	SCREW, FLAT HD. 8-32 x 5/16"L	1
1.3.5	2-114/00	SUB-ASSY. HANDLE CROSS, MARVELLE SERIES	1
1.4	3-125/00	DIVERTER EXTENSION ASSY FOR PB TUB & SHOWER SET	1
1.4.1	11008/00	DIVERTED STEM FOR PB PLATE	1
1.4.2	11006/00	PULL KNOB, DIVERTER, 10-24	1
1.4.3	P17066/00	EXTENSION SLEEVE, STEM, PB TUB & SHOWER SET	1
1.4.4	30133	EXTENSION, THEAD NUT ADAPTOR	1
2	4-509/00	SHOWER HEAD 8" ARM, 6 JET PLUNGER, MARVELLE	1
2.1	P16008/00	SHOWER ARM (8 INCH)	1
2.2	3-018/00	SHOWERHEAD SIX JET	1
2.3	11313/00	ESCUTCHEON, SPOUT, WALL LAV, MARVELLE	1
2.4	90117	O-RING, 7/8"ID X 33/32THK., AS-568-117	1
2.5	90140	O-RING, 2-1/4ID X 3/32THK., AS-568-140	1

E
D
C
B
A

E
D
C
B
A

A1	C	UPDATE DWG DESCRIPTION	9/29/2020	AMM
ZONE	REV.	DESCRIPTION	DATE	APPROVED
REVISIONS				

1261 LOGAN AVENUE
COSTA MESA, CALIFORNIA 92626
PHONE: 714.361.4800
FAX: 714.617.3120

PHYLIRICH[®]
Defining Luxury Since 1959

PROPRIETARY AND CONFIDENTIAL
THE INFORMATION CONTAINED IN THIS DRAWING IS THE SOLE PROPERTY OF PHYLIRICH. ANY REPRODUCTION IN PART OR AS A WHOLE WITHOUT THE WRITTEN PERMISSION OF PHYLIRICH IS PROHIBITED.

-	-	INTERPRET GEOMETRIC DIMENSIONING & TOLERANCING IN ACCORDANCE WITH ASME Y14.5-2009 & ASME Y14.41-2003 STANDARDS, UNLESS OTHERWISE SPECIFIED. DIMENSIONS ARE IN INCHES. TOLERANCES ARE:		
NEXT ASSY	USED ON	FRACTIONS ±1/16"	DECIMALS X.X: ±.1 X.XX: ±.01 X.XXX: ±.005	ANGULAR ±2°
APPLICATION		MATERIAL	NAME	DATE
FINISH		DRAWN	LLO	10/16/2015
DO NOT SCALE DRAWING		CHECKED	GRE	

SHOWER TRIM SET, DIVERTED, LESS SPOUT, CROSS HANDLE, MARVELLE

SIZE	ASM/PRT NO.	REV
A	4-477/00	C
SCALE: 1:4.25	WEIGHT: lbs.	SHEET 1 OF 2

5

4

3

2

1