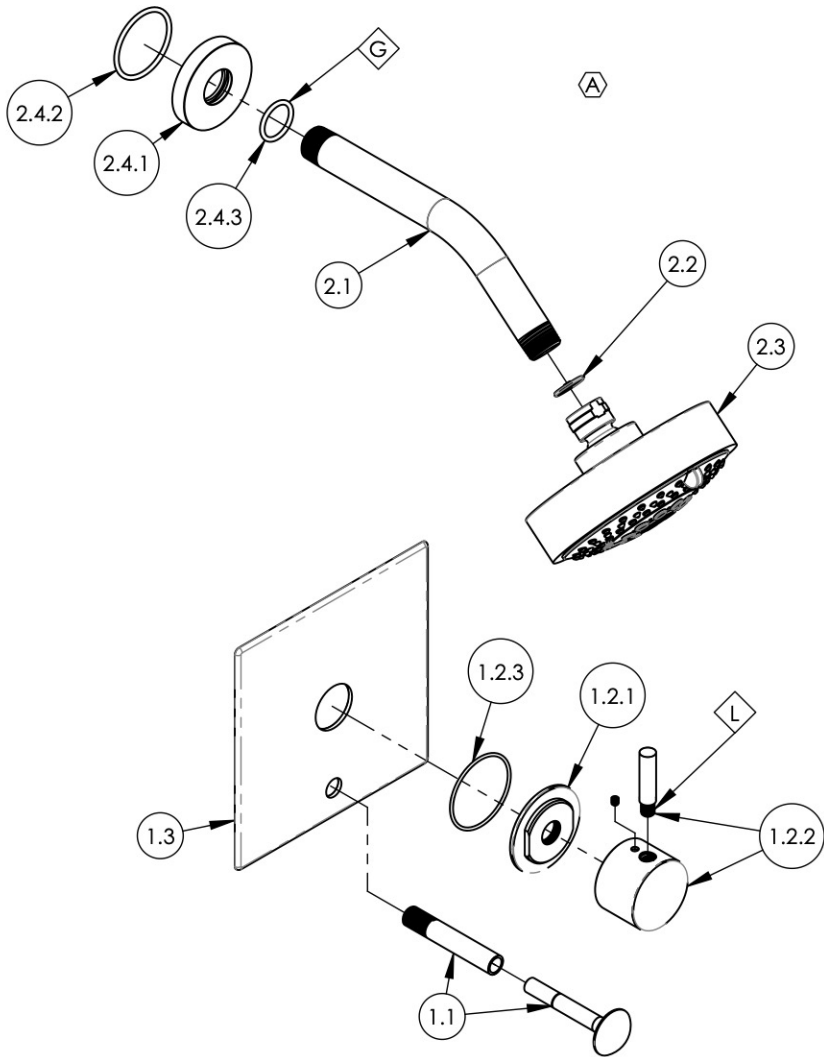


NOTE(S):

1. APPLY NSF COMPLIANT GREASE TO ANY O-RING, SEALING JOINTS, AND/OR PIVOTAL POINTS. G
2. APPLY NSF COMPLIANT LOCTITE TO THREADED AREA. L



ITEM NO.	PART NUMBER	DESCRIPTION	QTY.
1	4-203/00	PRESSURE BALANCE SHOWER PLATE W/DIVERTER & HANDLE TRIM SET, LEVER HANDLE, BASIC II SERIES	1
1.1	3-125/00	EXTENSION ASSY FOR PB TUB & SHOWER SET	1
1.2	3-339/00	SUB ASSY. LEVER HANDLE, BASIC II	1
1.2.1	11164/00	ESCUTCHEON BASE, CONTEMP. BASIC II	1
1.2.2	2-249/00	HANDLE LEVER, BASIC II	1
1.2.3	90031	O-RING, 1-3/4"ID X 1/16"THK, AS-568-031	1
1.3	10959/00	SHOWER TRIM PLATE W/ DIVERTER HOLE, MIX SERIES	1
2	4-570/00	CONTEMPORARY MULTI. SHOWER HEAD W/ FLANGE, ROND	1
2.1	P16008/00	SHOWER ARM (8 INCH)	1
2.2	11432	1.75 GPM FLOW REGULATOR	1
2.3	3-454/00	SHOWER HEAD MULTI. FUNC. CONTEMP.	1
2.4	3-700/00	ESCUTCHEON FLANGE, SHOWER ARM, CONTEMPORARY, ROUND	1
2.4.1	P16019/00	BASE SHOWER FLANGE, BASIC SERIES	1
2.4.2	90129	O-RING, 1-9/16"ID X 3/32THK, AS-568-129	1
2.4.3	90117	O-RING, 7/8"ID X 33/32"THK., AS-568-117	1

ALL	A	UPDATE TEMPLATE, ADD SHOWER ASSY, REMOVE TAPE, ADD CALL OUTS, ADD 'SQUARE PLATE' TO DWG NAME.	5/4/2020	AMM
ZONE	REV.	DESCRIPTION	DATE	APPROVED
REVISIONS				

1261 LOGAN AVENUE
COSTA MESA, CALIFORNIA 92626
PHONE: 714.361.4800
FAX: 714.617.3120

PHYLIRICH[®]
Defining Luxury Since 1959

PROPRIETARY AND CONFIDENTIAL
THE INFORMATION CONTAINED IN THIS DRAWING IS THE SOLE PROPERTY OF PHYLIRICH. ANY REPRODUCTION IN PART OR AS A WHOLE WITHOUT THE WRITTEN PERMISSION OF PHYLIRICH IS PROHIBITED.

-	-	INTERPRET GEOMETRIC DIMENSIONING & TOLERANCING IN ACCORDANCE WITH ASME Y14.5-2009 & ASME Y14.41-2003 STANDARDS, UNLESS OTHERWISE SPECIFIED. DIMENSIONS ARE IN INCHES. TOLERANCES ARE:		
-	-			
-	-			
NEXT ASSY	USED ON	FRACTIONS ±1/16"	DECIMALS X.X: ±.1 X.XX: ±.01 X.XXX: ±.005	ANGULAR ±2°
APPLICATION			NAME	DATE
MATERIAL				
FINISH		DRAWN		11/11/2015
DO NOT SCALE DRAWING		CHECKED	LLO	

PRESSURE BALANCE SHOWER & DIVERTER SET, LEVER HANDLE, SQUARE PLATE, BASIC II SERIES

SIZE	ASM/PRT NO.	REV
A	4-195/00	A
SCALE: 1:4.25	WEIGHT: lbs.	SHEET 1 OF 2