

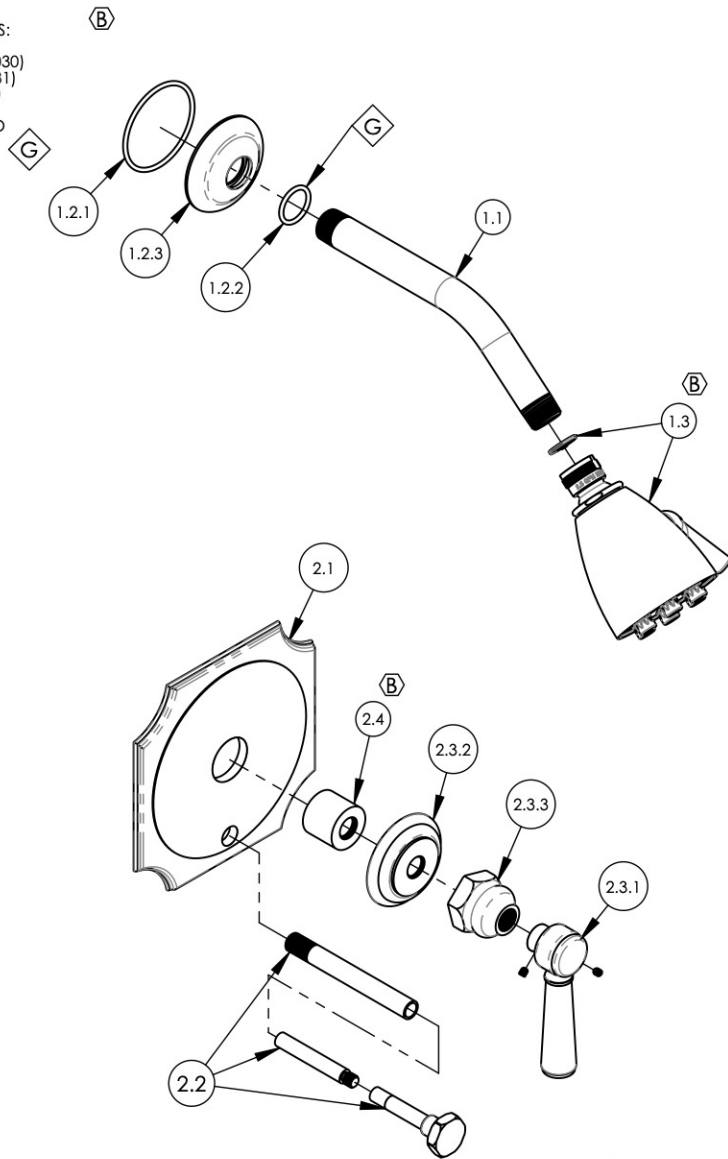
NOTE(S):

1. EXAMPLE OF SPLIT FINISH CODE:
A. 3-402/026X030

2. AVAILABLE HANDLE STONE OPTIONS:

- A. BLACK MARBLE = 11328 (.../00X030)
- B. WHITE MARBLE = 11329 (.../00X031)
- C. SOAPSTONE = 11330 (.../00X032)

3. APPLY NSF COMPLIANT GREASE TO ANY O-RING, SEALING JOINTS, AND/OR PIVOTAL POINTS.



ITEM NO.	PART NUMBER	DESCRIPTION	QTY.
1	4-140/00	SHOWER HEAD 8" ARM, 6 JET PLUNGER, HEX TRADITIONAL	1
1.1	P16008/00	SHOWER ARM (8 INCH)	1
1.2	810/00	SHOWER FLANGE, TRADITIONAL	1
1.2.1	90138	O-RING, 2 1/8"ID X 3/32"THK., AS-568-138	1
1.2.2	90117	O-RING, 7/8"ID X 33/32"THK., AS-568-117	1
1.2.3	P16011/00	K803 SHOWER FLANGE	1
1.3	3-018/00	SHOWERHEAD SIX JET	1
2	4-167/00	PRESSURE BALANCE PLATE WITH DIVERTER, SCALLOPED PLATE, MARBLE LEVER HANDLE	1
2.1	10516/00	TRIM PLATE DIVERTED, FRENCH TRAD. PB/THERMO	1
2.2	3-322/00	EXTENSION ASSY. FOR PB TUB & SHOWER SET, HEX MODERN & TRADITIONAL SERIES	1
2.3	3-373/00	MARBLE LEVER HANDLE ASSY., WALL/SHOWER	1
2.3.1	2-142/00	MARBLE LEVER HANDLE, 500 SERIES, HEX TRADITIONAL	1
2.3.2	10618/00	ESCUTCHEON, TRADITIONAL 500	1
2.3.3	10621/00	BASE HUB NUT	1
2.4	11087	SLEEVE FOR PB-THERM PLATE	1

ALL	B	UPDATE TEMPLATE, SHOWER AND PB SUBASSYS. REMOVE HEX KEY/ TAPE, ADD CALL OUTS/ MARBLE NOTES	4/22/2020	AMM
ZONE	REV.	DESCRIPTION	DATE	APPROVED
REVISIONS				

1261 LOGAN AVENUE
COSTA MESA, CALIFORNIA 92626
PHONE: 714.361.4800
FAX: 714.617.3120

PHYLIRICH®

Defining Luxury Since 1959

PROPRIETARY AND CONFIDENTIAL

THE INFORMATION CONTAINED IN THIS DRAWING IS THE SOLE PROPERTY OF PHYLIRICH. ANY REPRODUCTION IN PART OR AS A WHOLE WITHOUT THE WRITTEN PERMISSION OF PHYLIRICH IS PROHIBITED.

-		INTERPRET GEOMETRIC DIMENSIONING & TOLERANCING IN ACCORDANCE WITH ASME Y14.5-2009 & ASME Y14.41-2003 STANDARDS, UNLESS OTHERWISE SPECIFIED. DIMENSIONS ARE IN INCHES. TOLERANCES ARE:		
NEXT ASSY	USED ON	FRACTIONS ±1/16"	DECIMALS X.X: ±.1 X.XX: ±.01 X.XXX: ±.005	ANGULAR ±2°
APPLICATION		MATERIAL	NAME	DATE
FINISH		DRAWN	LLO	8/4/2015
DO NOT SCALE DRAWING		CHECKED	GRE	

PRESSURE BALANCE & DIVERTER SET (LESS SPOUT), SCALLOPED PLATE, MARBLE LEVER HANDLE

SIZE	ASM/PRT NO.	REV
A	4-163/00	B
SCALE: 1:4.5	WEIGHT: lbs.	SHEET 1 OF 2

5

4

3

2

1

E

E

D

D

C

C

B

B

A

A

5

4

3

2

1