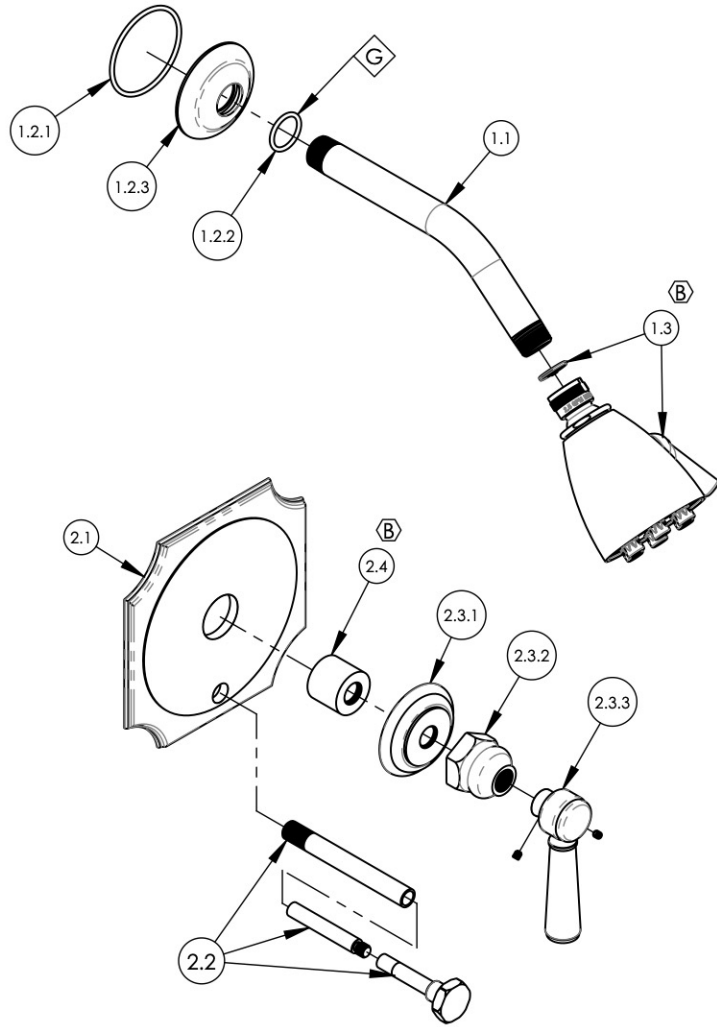


NOTE(S):  
 1. APPLY NSF COMPLIANT GREASE TO ANY O-RING, SEALING JOINTS, AND/OR PIVOTAL POINTS.



ITEM NO.	PART NUMBER	DESCRIPTION	QTY.
1	4-140/00	SHOWER HEAD 8" ARM, 6 JET PLUNGER, HEX TRADITIONAL	1
1.1	P16008/00	SHOWER ARM (8 INCH)	1
1.2	810/00	SHOWER FLANGE, TRADITIONAL	1
1.2.1	90138	O-RING, 2 1/8"ID X 3/32"THK., AS-568-138	1
1.2.2	90117	O-RING, 7/8"ID X 33/32"THK., AS-568-117	1
1.2.3	P16011/00	K803 SHOWER FLANGE	1
1.3	3-018/00	SHOWERHEAD SIX JET	1
2	4-166/00	PRESSURE BALANCE PLATE WITH DIVERTER, SCALLOPED PLATE, LEVER HANDLE	1
2.1	10516/00	TRIM PLATE DIVERTED, FRENCH TRAD. PB/THERMO	1
2.2	3-322/00	EXTENSION ASSY. FOR PB TUB & SHOWER SET, HEX MODERN & TRADITIONAL SERIES	1
2.3	3-143/00	LEVER HANDLE, WALL/SHOWER, 500 SERIES,	1
2.3.1	10618/00	ESCUTCHEON, TRADITIONAL 500	1
2.3.2	10621/00	BASE HUB NUT	1
2.3.3	2-141/00	SUB ASSY. LEVER HANDLE, 500 SERIES	1
2.4	11087	SLEEVE FOR PB-THERM PLATE	1

ALL	B	UPDATE TEMPLATE, SHOWER & PB SUBASSYS, REMOVE HEX KEY/ TAPE, ADD CALL OUTS	4/22/2020	AMM
ZONE	REV.	DESCRIPTION	DATE	APPROVED
REVISIONS				

1261 LOGAN AVENUE  
 COSTA MESA, CALIFORNIA 92626  
 PHONE: 714.361.4800  
 FAX: 714.617.3120

**PHYLIRICH®**  
 Defining Luxury Since 1959

**PROPRIETARY AND CONFIDENTIAL**  
 THE INFORMATION CONTAINED IN THIS DRAWING IS THE SOLE PROPERTY OF PHYLIRICH. ANY REPRODUCTION IN PART OR AS A WHOLE WITHOUT THE WRITTEN PERMISSION OF PHYLIRICH IS PROHIBITED.

-	-	INTERPRET GEOMETRIC DIMENSIONING & TOLERANCING IN ACCORDANCE WITH ASME Y14.5-2009 & ASME Y14.41-2003 STANDARDS, UNLESS OTHERWISE SPECIFIED. DIMENSIONS ARE IN INCHES. TOLERANCES ARE:		
NEXT ASSY	USED ON	FRACTIONS ±1/16"	DECIMALS X.X: ±.1 X.XX: ±.01 X.XXX: ±.005	ANGULAR ±2°
APPLICATION		MATERIAL	NAME	DATE
FINISH		DRAWN	LLO	8/4/2015
DO NOT SCALE DRAWING		CHECKED	GRE	

**PRESSURE BALANCE & DIVERTER SET (LESS SPOUT), SCALLOPED PLATE, LEVER HANDLE**

SIZE	ASM/PRT NO.	REV
<b>A</b>	4-162/00	<b>B</b>
SCALE: 1:4.5	WEIGHT: lbs.	SHEET 1 OF 2