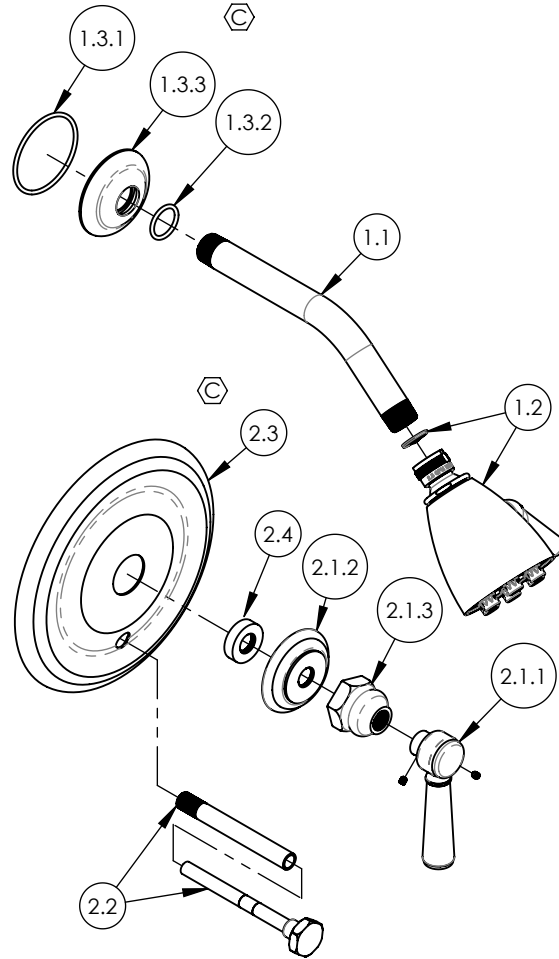


- NOTE(S):
- PART NUMBER, "/00" DENOTES PART SHALL HAVE FINISH.
 - APPLY NSF COMPLIANT GREASE TO ANY O-RING, SEALING JOINTS, AND/OR PIVOTAL POINTS.
 - APPLY NSF COMPLIANT LOCTITE TO THREADED AREA.
 - APPLY NSF COMPLIANT REMOVABLE (BLUE) LOCTITE TO THREADED AREA.
 - SILVER SOLDER JOINTS SHALL BE FULLY WETTED VIA CAPILLARY ACTION AND COMPLETELY NON-POROUS.
 - EXAMPLE OF SPLIT FINISH CODE:
A. 3-402/026X030
 - AVAILABLE HANDLE STONE OPTIONS:
A. BLACK MARBLE = 11328 (.../00X030)
B. WHITE MARBLE = 11329 (.../00X031)
C. SOAPSTONE = 11330 (.../00X032)



ITEM NO.	PART NUMBER	DESCRIPTION	QTY.
1	4-140/00	SHOWER HEAD 8" ARM, 6 JET PLUNGER, HEX TRADITIONAL	1
1.1	P16008/00	SHOWER ARM (8 INCH)	1
1.2	3-018/00	SHOWERHEAD SIX JET	1
1.3	3-720/00	SHOWER FLANGE, REGENT	1
1.3.1	90138	O-RING, 2 1/8"ID X 3/32"THK., AS-568-138	1
1.3.2	90117	O-RING, 7/8"ID X 33/32"THK., AS-568-117	1
1.3.3	P16011/00	K803 SHOWER FLANGE	1
2	4-164/00	SHOWER TRIM PLATE, PB, DIVERTED, MARBLE, HEX TRAD	1
2.1	3-373/00	MARBLE LEVER HANDLE ASSY., WALL/SHOWER	1
2.1.1	2-142/00	MARBLE LEVER HANDLE, 500 SERIES, HEX TRADITIONAL	1
2.1.2	10618/00	ESCUTCHEON, TRADITIONAL 500	1
2.1.3	10621/00	BASE HUB NUT	1
2.2	3-322/00	DIVERTER EXTENSION FOR PB TUB & SHOWER SET, HEX	1
2.3	P17011/00	TRIM PLATE, PRESSURE BALANCE, SMOOTH, DOUBLE HOLE	1
2.4	11087	SLEEVE FOR PB-THERM PLATE	1

ZONE	REV.	DESCRIPTION	DATE	APPROVED
D4, C4	C	UPDATE TRIM PLATE & SHOWER FLANGE SUBASSY	4/23/2021	AMM
REVISIONS				

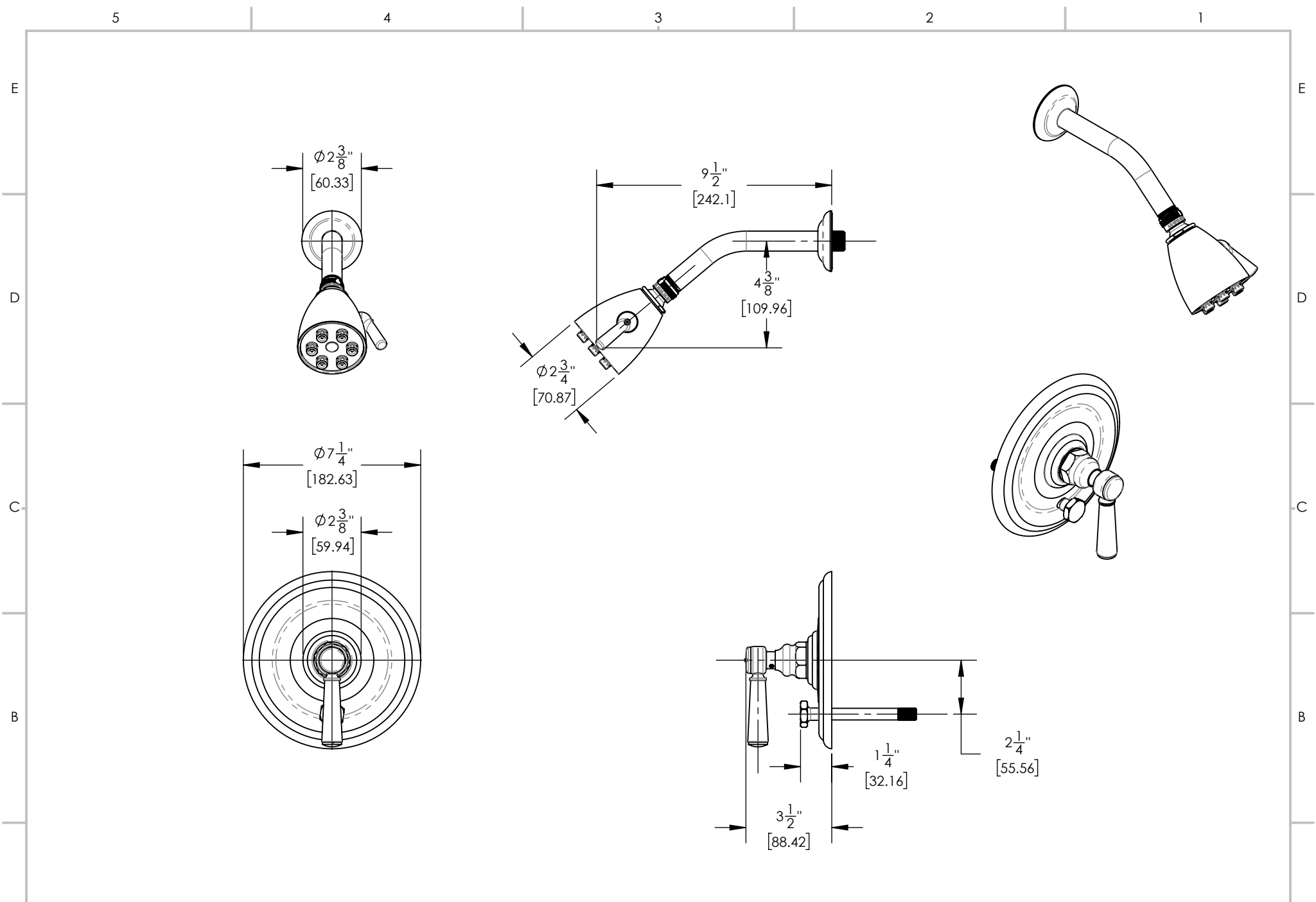
1261 LOGAN AVENUE
COSTA MESA, CALIFORNIA 92626
PHONE: 714.361.4800
FAX: 714.617.3120

PHYLIRICH[®]
Defining Luxury Since 1959

PROPRIETARY AND CONFIDENTIAL
THE INFORMATION CONTAINED IN THIS DRAWING IS THE SOLE PROPERTY OF PHYLIRICH. ANY REPRODUCTION IN PART OR AS A WHOLE WITHOUT THE WRITTEN PERMISSION OF PHYLIRICH IS PROHIBITED.
DO NOT SCALE DRAWING

SHOWER TRIM SET - PRESSURE BALANCE, DIVERTED, LESS SPOUT, MARBLE, HEX TRADITIONAL

SIZE A	ASM/PRT NO. 4-160/00	REV C
SCALE: 1:5	WEIGHT: lbs.	SHEET 1 OF 2



1261 LOGAN AVENUE
 COSTA MESA, CALIFORNIA 92626
 PHONE: 714.361.4800
 FAX: 714.617.3120

PHYLIRICH[®]
 Defining Luxury Since 1959

PROPRIETARY AND CONFIDENTIAL
 THE INFORMATION CONTAINED IN THIS DRAWING
 IS THE SOLE PROPERTY OF PHYLIRICH. ANY
 REPRODUCTION IN PART OR AS A WHOLE
 WITHOUT THE WRITTEN PERMISSION OF PHYLIRICH
 IS PROHIBITED.
DO NOT SCALE DRAWING

**SHOWER TRIM SET - PRESSURE BALANCE,
 DIVERTED, LESS SPOUT, MARBLE, HEX
 TRADITIONAL**

SIZE A	ASM/PRT NO. 4-160/00	REV C
------------------	-------------------------	----------

SCALE: 1:5 WEIGHT: lbs. SHEET 2 OF 2