

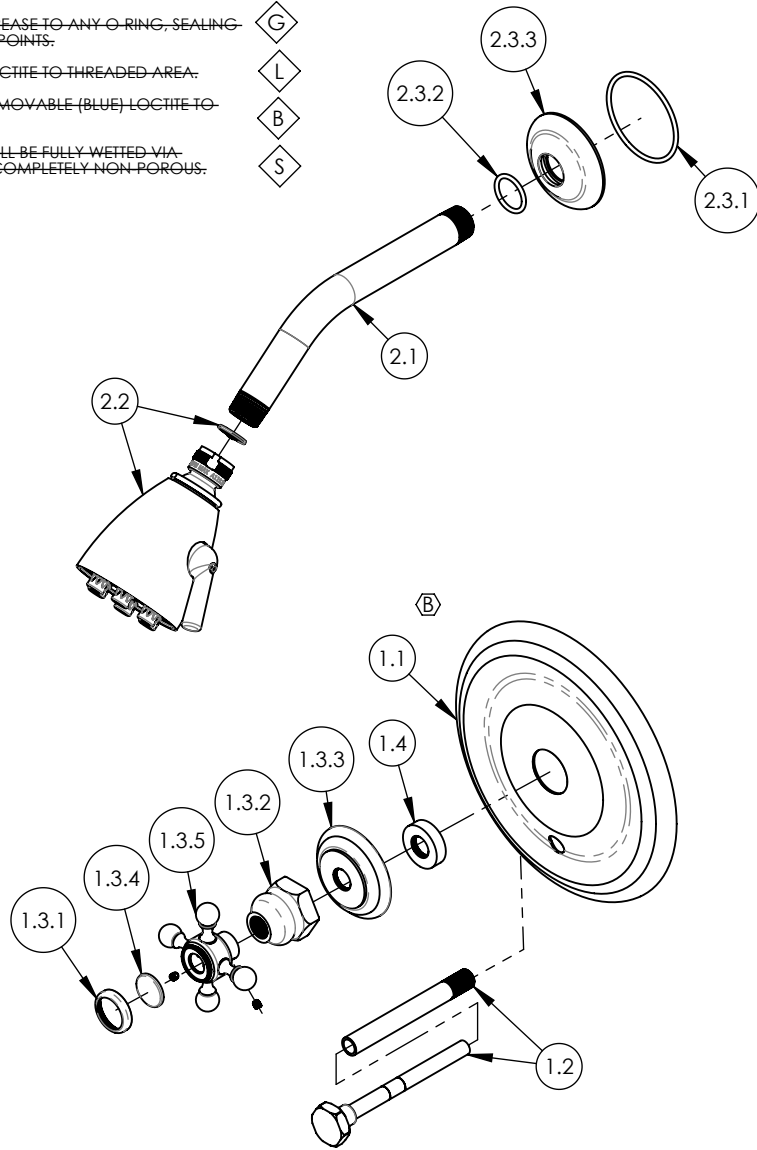
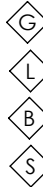
NOTE(S):
 1. PART NUMBER, "/00" DENOTES PART SHALL HAVE FINISH.

2. APPLY NSF COMPLIANT GREASE TO ANY O-RING, SEALING JOINTS, AND/OR PIVOTAL POINTS.

3. APPLY NSF COMPLIANT LOCTITE TO THREADED AREA.

4. APPLY NSF COMPLIANT REMOVABLE (BLUE) LOCTITE TO THREADED AREA.

5. SILVER SOLDER JOINTS SHALL BE FULLY WETTED VIA CAPILLARY ACTION AND COMPLETELY NON-POROUS.



ITEM NO.	PART NUMBER	DESCRIPTION	QTY.
1	4-095/00	SHOWER TRIM PLATE, PB, DIVERTED, CROSS, HEX TRAD.	1
1.1	P17011/00	TRIM PLATE, PRESSURE BALANCE, SMOOTH, DOUBLE HOLE	1
1.2	3-322/00	DIVERTER EXTENSION FOR PB TUB & SHOWER SET, HEX	1
1.3	3-142B/00	CROSS HANDLE, WALL/SHOWER, 500 SERIES	1
1.3.1	10538/00	CAP RING FOR 500 SERIES BUTTON	1
1.3.2	10621/00	BASE HUB NUT	1
1.3.3	10618/00	ESCUTCHEON, TRADITIONAL 500	1
1.3.4	11097	PLASTIC BUTTON, BLANK	1
1.3.5	2-180/00	SUB ASSY. CROSS HANDLE HUB	1
1.4	11087	SLEEVE FOR PB-THERM PLATE	1
2	4-140/00	SHOWER HEAD 8" ARM, 6 JET PLUNGER, HEX TRADITIONAL	1
2.1	P16008/00	SHOWER ARM (8 INCH)	1
2.2	3-018/00	SHOWERHEAD SIX JET	1
2.3	3-720/00	SHOWER FLANGE, REGENT	1
2.3.1	90138	O-RING, 2 1/8"ID X 3/32"THK., AS-568-138	1
2.3.2	90117	O-RING, 7/8"ID X 33/32"THK., AS-568-117	1
2.3.3	P16011/00	K803 SHOWER FLANGE	1

ZONE	REV.	DESCRIPTION	DATE	APPROVED
C4	B	UPDATE TRIM PLATE	4/22/2021	AMM
REVISIONS				

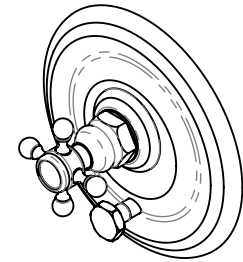
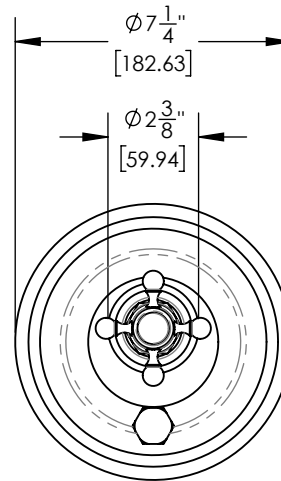
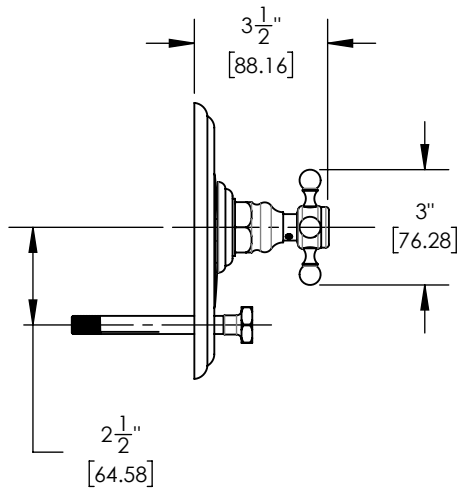
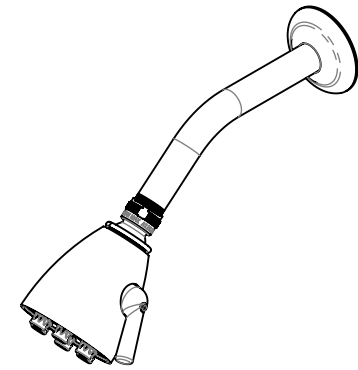
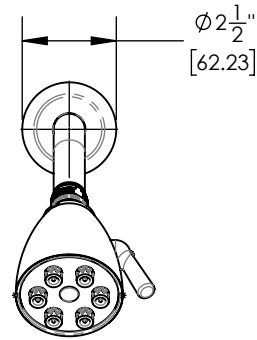
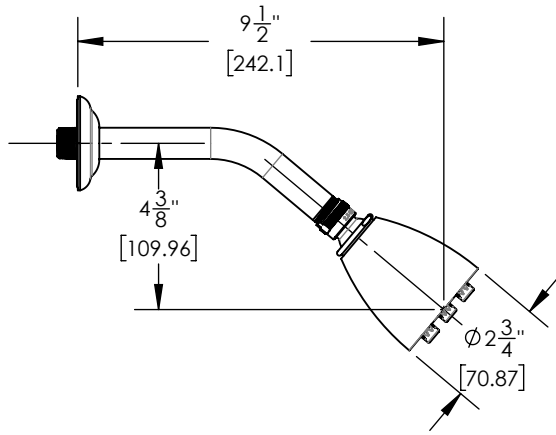
1261 LOGAN AVENUE
 COSTA MESA, CALIFORNIA 92626
 PHONE: 714.361.4800
 FAX: 714.617.3120

PHYLIRICH[®]
 Defining Luxury Since 1959

PROPRIETARY AND CONFIDENTIAL
 THE INFORMATION CONTAINED IN THIS DRAWING IS THE SOLE PROPERTY OF PHYLIRICH. ANY REPRODUCTION IN PART OR AS A WHOLE WITHOUT THE WRITTEN PERMISSION OF PHYLIRICH IS PROHIBITED.
DO NOT SCALE DRAWING

SHOWER TRIM SET - PRESSURE BALANCE, DIVERTED, LESS SPOUT, CROSS, HEX TRADITIONAL

SIZE A	ASM/PRT NO. 4-151/00	REV B
SCALE: 1:4.5	WEIGHT: lbs.	SHEET 1 OF 2



1261 LOGAN AVENUE
COSTA MESA, CALIFORNIA 92626
PHONE: 714.361.4800
FAX: 714.617.3120

PHYLIRICH[®]
Defining Luxury Since 1959

PROPRIETARY AND CONFIDENTIAL
THE INFORMATION CONTAINED IN THIS DRAWING IS THE SOLE PROPERTY OF PHYLIRICH. ANY REPRODUCTION IN PART OR AS A WHOLE WITHOUT THE WRITTEN PERMISSION OF PHYLIRICH IS PROHIBITED.
DO NOT SCALE DRAWING

SHOWER TRIM SET - PRESSURE BALANCE, DIVERTED, LESS SPOUT, CROSS, HEX TRADITIONAL

SIZE A	ASM/PRT NO. 4-151/00	REV B
SCALE: 1:5	WEIGHT: lbs.	SHEET 2 OF 2