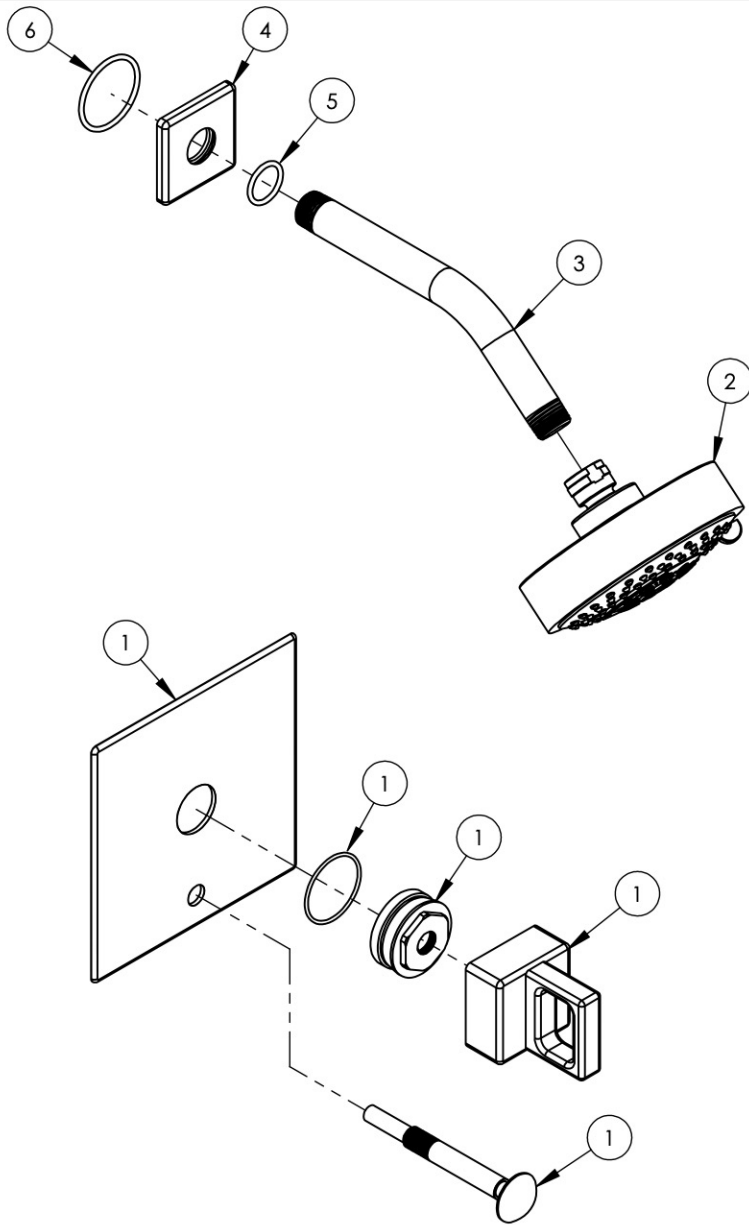


A

B

C

D



ITEM NO.	PART NUMBER	DESCRIPTION	QTY.
1	4-109/00	PB PLATE W/ DIVERTER, RING HANDLE, MIX SERIES	1
	10959/00	SHOWER TRIM PLATE W/ DIVERTER HOLE, MIX SERIES	1
	11004	SLEEVE MOUNT, WALL SHOWER	1
	90029	O-RING, 1-5/8"ID X 1-3/4"OD X 1/16"THK, AS-568-029	1
	3-121/00	PB SHOWER SET, HANDLE WINDOW MIX	1
	10962/00	HUB FOR SHOWER, MIX SERIES	1
	10925/00	HANDLE, RING/WINDOW MIX SERIES	1
	92176	WEAR WASHER	2
	92177	RETAINING RING, 7/16" SHAFT	1
	92005	SET SCREW, CUP PT 6-32UNC THREAD 3/16"L	1
	3-125/00	EXTENSION ASSY FOR PB TUB & SHOWER SET	1
	11008/00	DIVERTED STEM FOR PB PLATE	1
	11006/00	PULL KNOB, DIVERTER, 10-24	1
	11085/00	EXTENSION PIN FOR PB TUB & SHOWER SET	1
	P17066/00	EXTENSION SLEEVE, STEM, PB TUB & SHOWER SET	1
	11007/00	EXTENSION PIN FOR PB TUB & SHOWER SET 1.25LONGER	1
2	809/00	SHOWER HEAD, MULTI-FUNCTION, COMTEMPORARY	1
	3-371/00	SHOWER HEAD, MULTI-FUNCTION, COMTEMPORARY	1
	P16044	MULTIFUNCTION SHOWER HEAD KIT	1
	P16044_1	SPRAYER FACE	1
	P16044_3	ROTATING SPRAYER SWITCH	1
	P10644_8	WASHER	1
	P16044_4	SECURING NUT	1
		(TRUSS) HEAD SCREW No.8-#2 DRIVE 1/2" L	1
	P16044_9	BALL JOINT O-RING	1
	P16044_5	BALL WASHER	1
	P16044_6	BUTTON HOUSING	1
	P16044_7	BUTTON SPRING (Wire,.375" Length,.120" OD,.016" Wire)	1
	P16044_10	SECURING BRACE	1
	P16044_2	SPRAYER FACE	1
	91801A151	SCREW FLAT HEAD PHIL. M3X6MM L	4
	91801A210	METRIC FLAT HEAD PHIL. M4X0.7 6MM L	2
	P16034	FLOW RESTRICTOR 2.0GPM @ MAX	1
	P16043/00	BALL FOR MULTIFUNCTION SHOWER HEAD	1
	P16042/00	MULTIFUNCTION SHOWER HEAD	1
3	P16008/00	SHOWER ARM (8 INCH)	1
4	10935/00	ESCUTCHEON, SHOWER FLANGE MIX SERIES	1
5	90117	O-RING, 7/8"ID X 33/32"THK., AS-568-117	1
6	90129	O-RING, 1-9/16"ID X 3/32THK, AS-568-129	1

E

ZONE	REV.	DESCRIPTION	DATE	APPROVED
REVISIONS				
PROPRIETARY AND CONFIDENTIAL				
1261 LOGAN AVENUE COSTA MESA, CALIFORNIA 92626 PHONE: 714.361.4800 FAX: 714.617.3120				
RSS		MANUFACTURING		
THE INFORMATION CONTAINED IN THIS DRAWING IS THE SOLE PROPERTY OF RSS MANUFACTURING. ANY REPRODUCTION IN PART OR AS A WHOLE WITHOUT THE WRITTEN PERMISSION OF RSS MANUFACTURING IS PROHIBITED.				

-	-	INTERPRET GEOMETRIC DIMENSIONING & TOLERANCING IN ACCORDANCE WITH ASME Y14.5-2009 & ASME Y14.41-2003 STANDARDS, UNLESS OTHERWISE SPECIFIED. DIMENSIONS ARE IN INCHES. TOLERANCES ARE:		
NEXT ASSY	USED ON	FRACTIONS ±1/64"	DECIMALS X.X: ±.1 X.XX: ±.01 X.XXX: ±.005	ANGULAR ±.5°
APPLICATION		MATERIAL	NAME	DATE
FINISH		DRAWN	LLO	8/7/2015
DO NOT SCALE DRAWING		CHECKED	GRE	

PRESSURE BALANCE & DIVERTER TRIM SET (LESS TUB SPOUT) RING HANDLE

SIZE	ASM/PRT NO.	REV
A	4-144/00	-
SCALE: 1:4	WEIGHT: lbs.	SHEET 1 OF 2

5

4

3

2

1