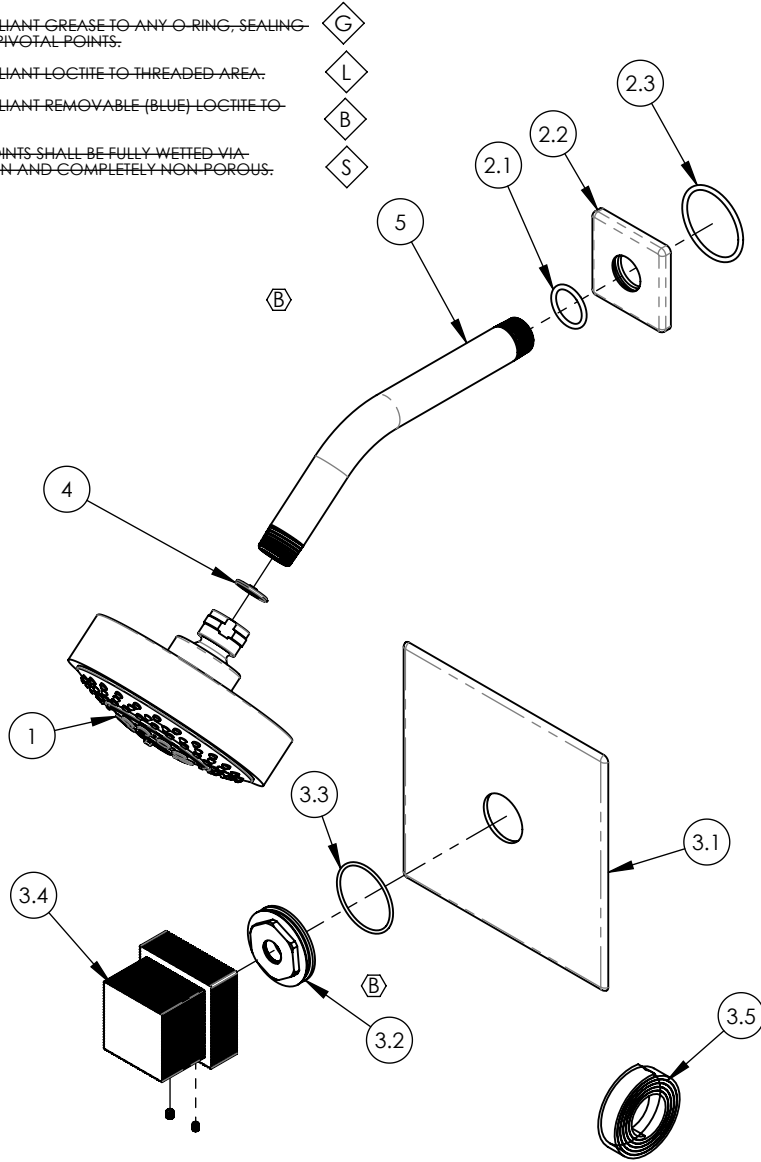


- NOTE(S):  
 1. PART NUMBER, "/00" DENOTES PART SHALL HAVE FINISH.  
 2. APPLY NSF COMPLIANT GREASE TO ANY O-RING, SEALING JOINTS, AND/OR PIVOTAL POINTS.  
 3. APPLY NSF COMPLIANT LOCTITE TO THREADED AREA.  
 4. APPLY NSF COMPLIANT REMOVABLE (BLUE) LOCTITE TO THREADED AREA.  
 5. SILVER SOLDER JOINTS SHALL BE FULLY WETTED VIA CAPILLARY ACTION AND COMPLETELY NON POROUS.



| ITEM NO. | PART NUMBER | DESCRIPTION  | QTY. |
|----------|-------------|--|------|
| 1        | 3-454/00    | SHOWER HEAD MULTI. FUNC. CONTEMP.                  | 1    |
| 2        | 3-719/00    | SHOWER FLANGE, MIX/ STRIA                          | 1    |
| 2.1      | 90117       | O-RING, 7/8"ID X 33/32"THK., AS-568-117            | 1    |
| 2.2      | 10935/00    | ESCUTCHEON, SHOWER FLANGE MIX SERIES               | 1    |
| 2.3      | 90129       | O-RING, 1-9/16"ID X 3/32THK, AS-568-129            | 1    |
| 3        | 4-124/00    | PB PLATE, CUBE HANDLE, STRIA                       | 1    |
| 3.1      | 10958/00    | PLATE, SHOWER TRIM MIX SERIES                      | 1    |
| 3.2      | 92401       | BASE MOUNT, TRIM PLATE TO ESCUTCHEON               | 1    |
| 3.3      | 90029       | O-RING, 1-5/8"ID X 1-3/4"OD X 1/16"THK, AS-568-029 | 1    |
| 3.4      | 3-130/00    | PB SHOWER SET, CUBE EDGE SERIES                    | 1    |
| 3.5      | 90537       | 1/16" TAPE FOR WALL PLATE                          | 1    |
| 4        | 11432       | 1.75 GPM FLOW REGULATOR                            | 1    |
| 5        | P16008/00   | SHOWER ARM (8 INCH)                                | 1    |

| ZONE      | REV. | DESCRIPTION                              | DATE      | APPROVED |
|-----------|------|--|-----------|----------|
| D4, B4    | B    | UPDATE SHOWER ASSY & PB PLATE BASE MOUNT | 6/16/2021 | AMM      |
| REVISIONS |      |  |           |          |

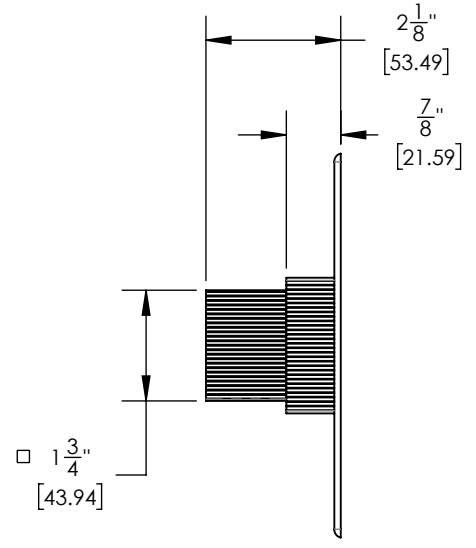
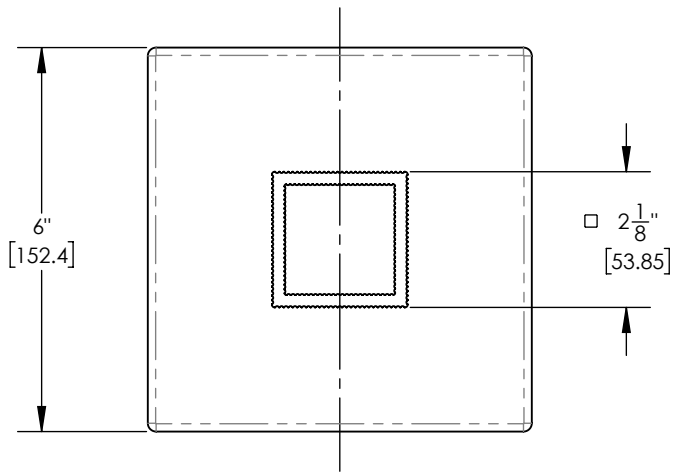
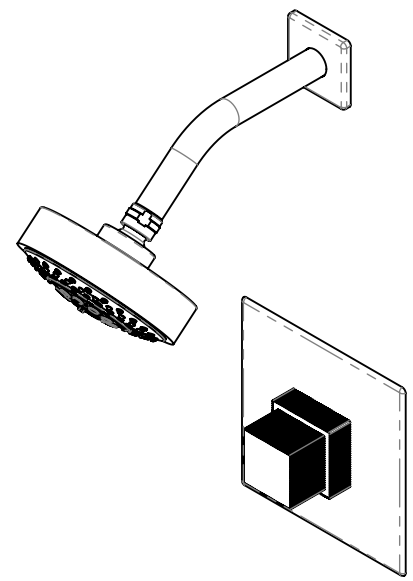
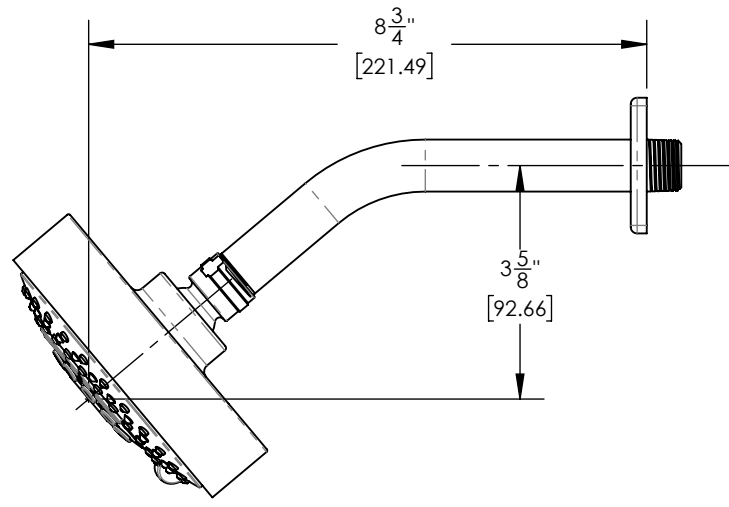
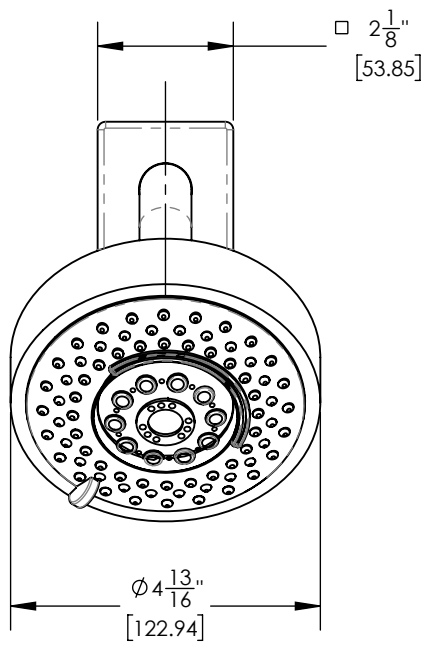
1261 LOGAN AVENUE  
 COSTA MESA, CALIFORNIA 92626  
 PHONE: 714.361.4800  
 FAX: 714.617.3120

**PHYLIRICH**<sup>®</sup>  
 Defining Luxury Since 1959

**PROPRIETARY AND CONFIDENTIAL**  
 THE INFORMATION CONTAINED IN THIS DRAWING IS THE SOLE PROPERTY OF PHYLIRICH. ANY REPRODUCTION IN PART OR AS A WHOLE WITHOUT THE WRITTEN PERMISSION OF PHYLIRICH IS PROHIBITED.  
**DO NOT SCALE DRAWING**

PB SHOWER SET TRIM, CUBE HANDLE, STRIA

|                  |                          |              |
|------------------|--------------------------|--------------|
| SIZE<br><b>A</b> | ASM/PRT NO.<br>291-24/00 | REV<br>B     |
| SCALE: 1:2       | WEIGHT: lbs.             | SHEET 1 OF 2 |



1261 LOGAN AVENUE  
COSTA MESA, CALIFORNIA 92626  
PHONE: 714.361.4800  
FAX: 714.617.3120

**PHYLIRICH**<sup>®</sup>  
Defining Luxury Since 1959

**PROPRIETARY AND CONFIDENTIAL**  
THE INFORMATION CONTAINED IN THIS DRAWING IS THE SOLE PROPERTY OF PHYLIRICH. ANY REPRODUCTION IN PART OR AS A WHOLE WITHOUT THE WRITTEN PERMISSION OF PHYLIRICH IS PROHIBITED.  
**DO NOT SCALE DRAWING**

PB SHOWER SET TRIM, CUBE HANDLE, STRIA

|                  |                          |              |
|------------------|--------------------------|--------------|
| SIZE<br><b>A</b> | ASM/PRT NO.<br>291-24/00 | REV<br>B     |
| SCALE: 1:3       | WEIGHT: lbs.             | SHEET 2 OF 2 |