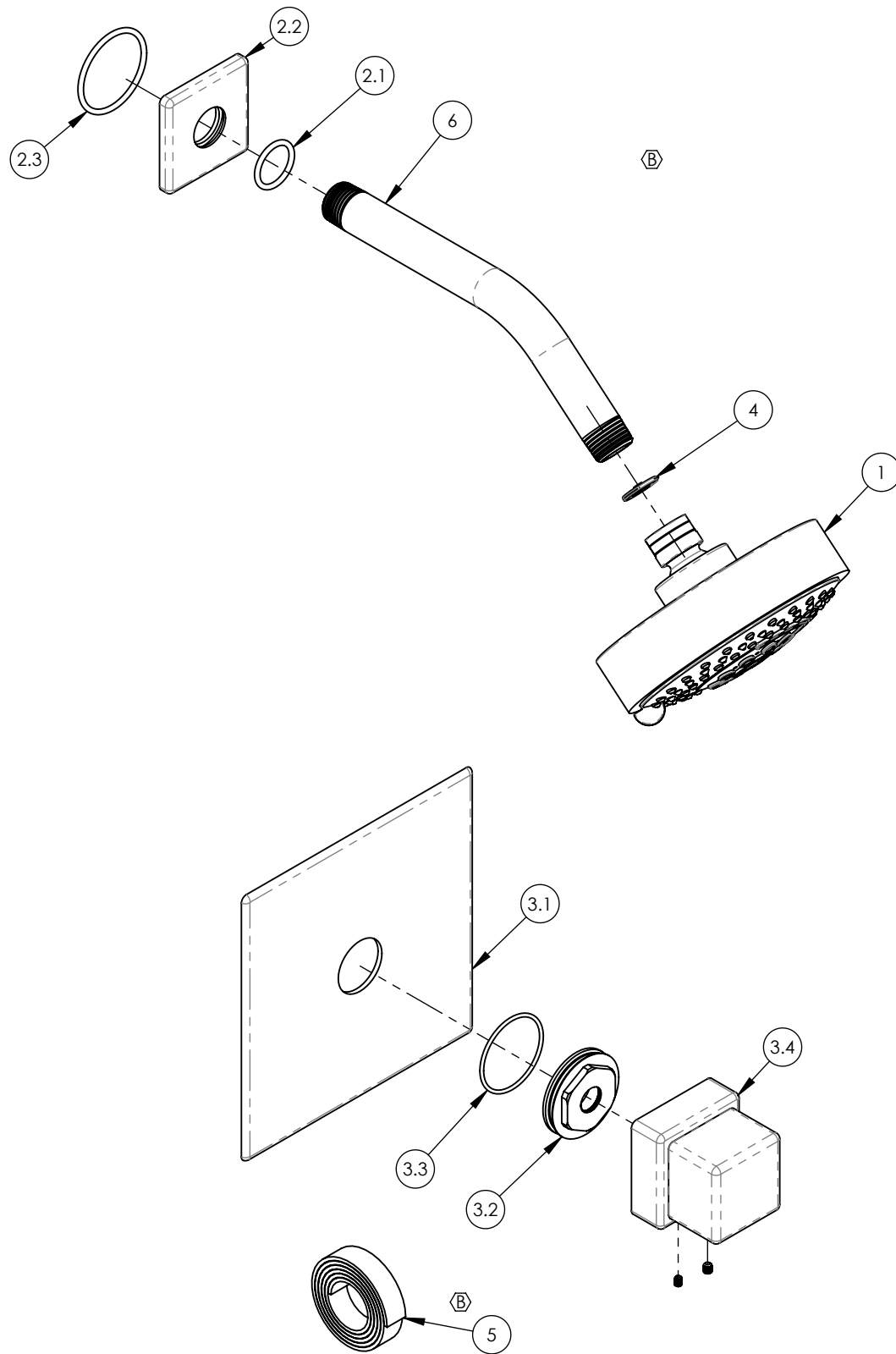
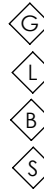


- NOTE(S):
1. PART NUMBER, "/00" DENOTES PART SHALL HAVE FINISH.
 2. APPLY NSF COMPLIANT GREASE TO ANY O-RING, SEALING JOINTS, AND/OR PIVOTAL POINTS.
 3. APPLY NSF COMPLIANT LOCTITE TO THREADED AREA.
 4. APPLY NSF COMPLIANT REMOVABLE (BLUE) LOCTITE TO THREADED AREA.
 5. SILVER SOLDER JOINTS SHALL BE FULLY WETTED VIA CAPILLARY ACTION AND COMPLETELY NON-POROUS.



| ITEM NO. | PART NUMBER | DESCRIPTION | QTY. |
|----------|-------------|--|------|
| 1 | 3-454/00 | SHOWER HEAD MULTI. FUNC. CONTEMP. | 1 |
| 2 | 3-719/00 | SHOWER FLANGE, MIX/ STRIA | 1 |
| 2.1 | 90117 | O-RING, 7/8"ID X 33/32"THK., AS-568-117 | 1 |
| 2.2 | 10935/00 | ESCUTCHEON, SHOWER FLANGE MIX SERIES | 1 |
| 2.3 | 90129 | O-RING, 1-9/16"ID X 3/32THK, AS-568-129 | 1 |
| 3 | 4-114/00 | SHOWER TRIM PLATE, SINGLE HANDLE, CUBE, MIX | 1 |
| 3.1 | 10958/00 | PLATE, SHOWER TRIM MIX SERIES | 1 |
| 3.2 | 92401 | BASE MOUNT, TRIM PLATE TO ESCUTCHEON | 1 |
| 3.3 | 90029 | O-RING, 1-5/8"ID X 1-3/4"OD X 1/16"THK, AS-568-029 | 1 |
| 3.4 | 3-122/00 | PB SHOWER SET, HANDLE CUBE MIX | 1 |
| 4 | 11432 | 1.75 GPM FLOW REGULATOR | 1 |
| 5 | 90537 | 1/16" TAPE FOR WALL PLATE | 1 |
| 6 | P16008/00 | SHOWER ARM (8 INCH) | 1 |

| A5, D5 | B | ADD TAPE, UPDATE SHOWER ASSY | 6/16/2021 | AMM |
|-----------|------|------------------------------|-----------|----------|
| ZONE | REV. | DESCRIPTION | DATE | APPROVED |
| REVISIONS | | | | |

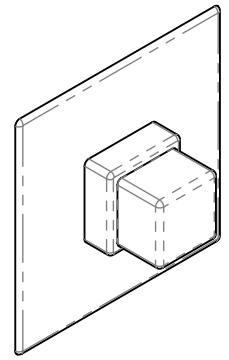
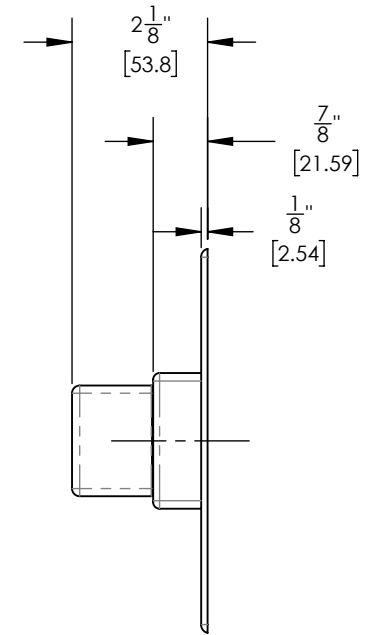
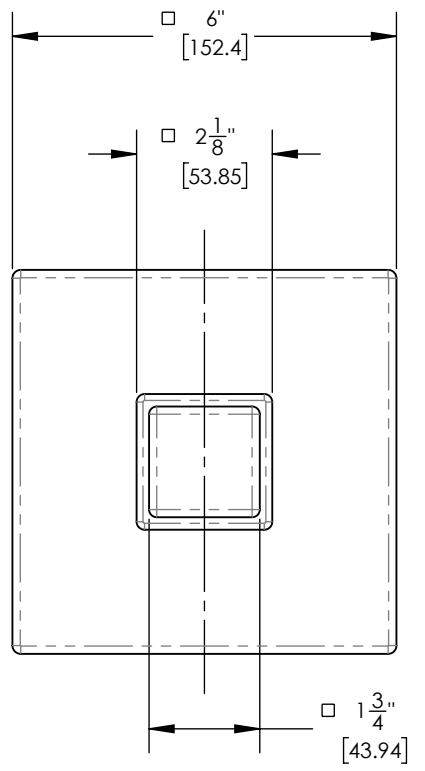
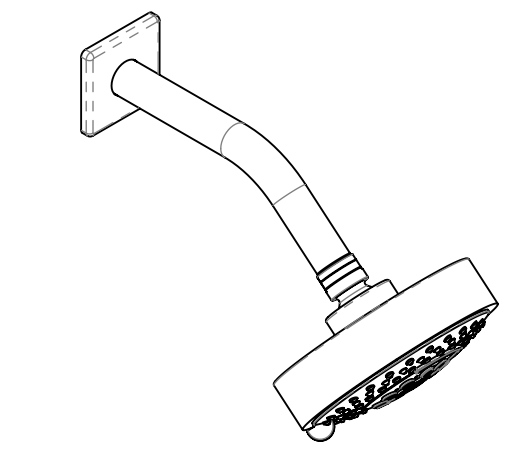
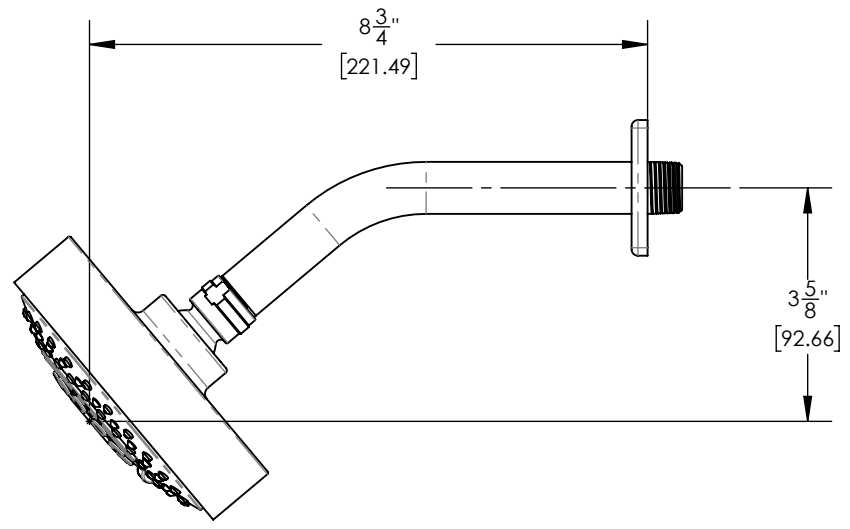
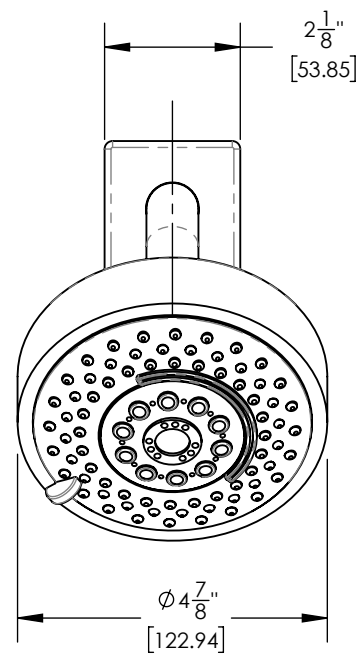
1261 LOGAN AVENUE
 COSTA MESA, CALIFORNIA 92626
 PHONE: 714.361.4800
 FAX: 714.617.3120



PROPRIETARY AND CONFIDENTIAL
 THE INFORMATION CONTAINED IN THIS DRAWING IS THE SOLE PROPERTY OF PHYLRICH. ANY REPRODUCTION IN PART OR AS A WHOLE WITHOUT THE WRITTEN PERMISSION OF PHYLRICH IS PROHIBITED.
DO NOT SCALE DRAWING

SHOWER TRIM SET - PRESSURE BALANCE, CUBE, MIX

| | | |
|------------------|---------------------------------|-----------------|
| SIZE B | ASM/PRT NO. 290-24/00 | REV B |
| SCALE: 1:3 | WEIGHT: lbs. | SHEET 1 OF 2 |



1261 LOGAN AVENUE
COSTA MESA, CALIFORNIA 92626
PHONE: 714.361.4800
FAX: 714.617.3120

PHYLIRICH[®]
Defining Luxury Since 1959

PROPRIETARY AND CONFIDENTIAL
THE INFORMATION CONTAINED IN THIS DRAWING
IS THE SOLE PROPERTY OF PHYLIRICH. ANY
REPRODUCTION IN PART OR AS A WHOLE
WITHOUT THE WRITTEN PERMISSION OF PHYLIRICH
IS PROHIBITED.
DO NOT SCALE DRAWING

**SHOWER TRIM SET - PRESSURE BALANCE,
CUBE, MIX**

| | | |
|------------------|--------------------------|--------------|
| SIZE B | ASM/PRT NO. 290-24/00 | REV B |
| SCALE: 1:3 | WEIGHT: lbs. | SHEET 2 OF 2 |