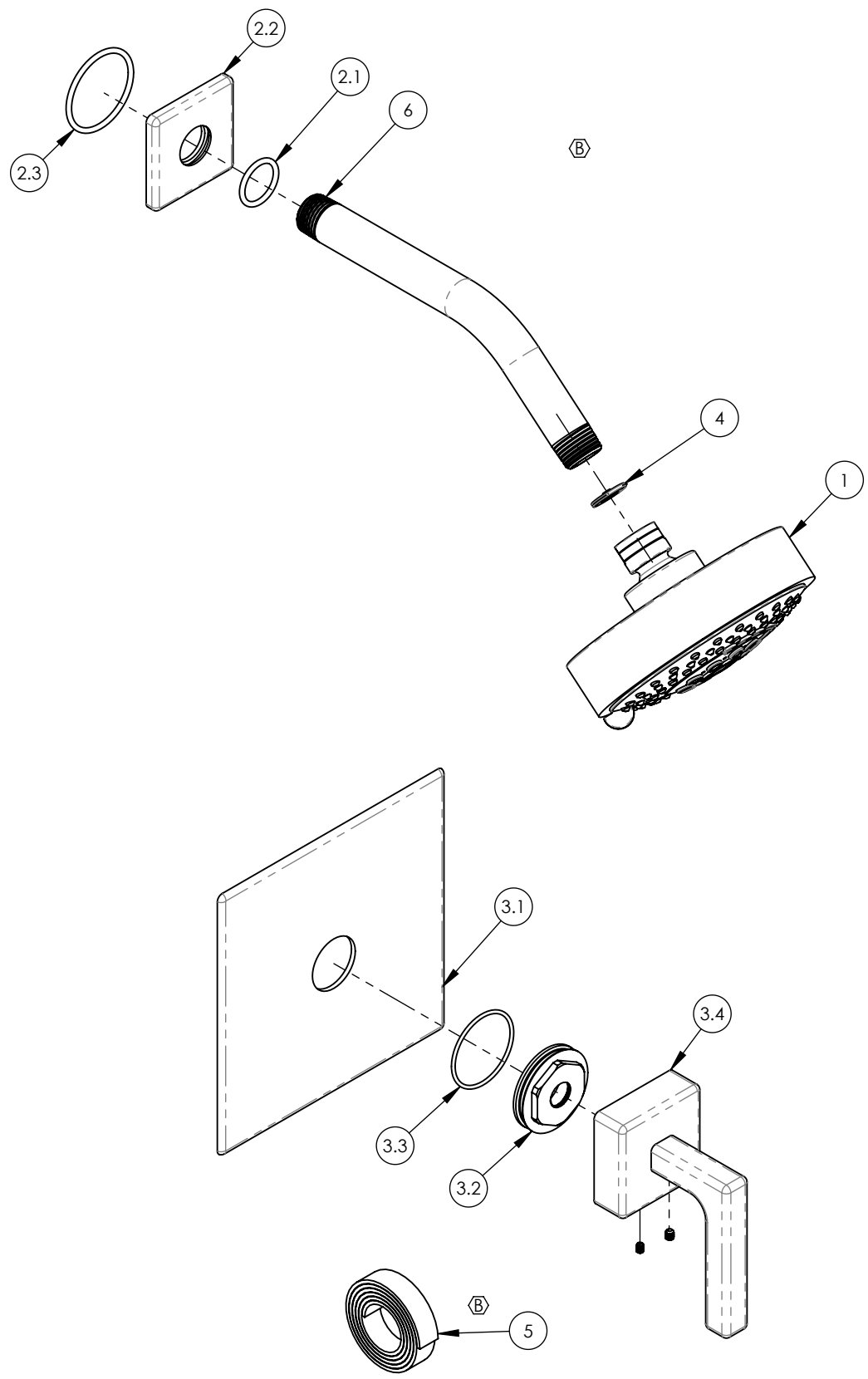


- NOTE(S):
- PART NUMBER, "/00" DENOTES PART SHALL HAVE FINISH.
 - APPLY NSF COMPLIANT GREASE TO ANY O-RING, SEALING JOINTS, AND/OR PIVOTAL POINTS.
 - APPLY NSF COMPLIANT LOCTITE TO THREADED AREA.
 - APPLY NSF COMPLIANT REMOVABLE (BLUE) LOCTITE TO THREADED AREA.
 - SILVER SOLDER JOINTS SHALL BE FULLY WETTED VIA CAPILLARY ACTION AND COMPLETELY NON-POROUS.

- ◇ G
- ◇ L
- ◇ B
- ◇ S



ITEM NO.	PART NUMBER	DESCRIPTION	QTY.
1	3-454/00	SHOWER HEAD MULTI. FUNC. CONTEMP.	1
2	3-719/00	SHOWER FLANGE, MIX/ STRIA	1
2.1	90117	O-RING, 7/8"ID X 33/32"THK., AS-568-117	1
2.2	10935/00	ESCUTCHEON, SHOWER FLANGE MIX SERIES	1
2.3	90129	O-RING, 1-9/16"ID X 3/32THK, AS-568-129	1
3	4-112/00	SHOWER TRIM PLATE, SINGLE HANDLE, LEVER, MIX	1
3.1	10958/00	PLATE, SHOWER TRIM MIX SERIES	1
3.2	92401	BASE MOUNT, TRIM PLATE TO ESCUTCHEON	1
3.3	90029	O-RING, 1-5/8"ID X 1-3/4"OD X 1/16"THK, AS-568-029	1
3.4	3-120/00	PB SHOWER SET, HANDLE LEVER MIX SERIES	1
4	11432	1.75 GPM FLOW REGULATOR	1
5	90537	1/16" TAPE FOR WALL PLATE	1
6	P16008/00	SHOWER ARM (8 INCH)	1

A5, D5	B	ADD TAPE, UPDATE SHOWER ASST	6/16/2021	AMM
ZONE	REV.	DESCRIPTION	DATE	APPROVED
REVISIONS				

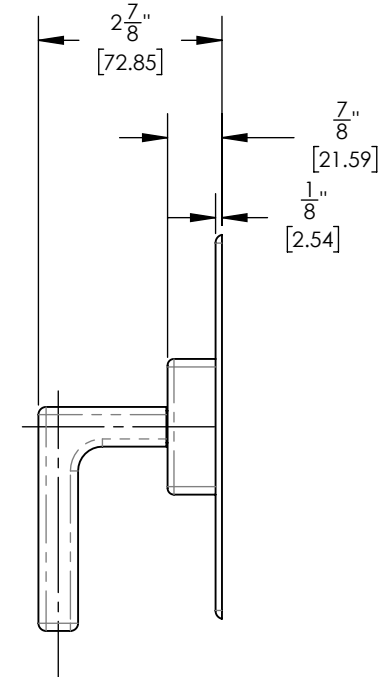
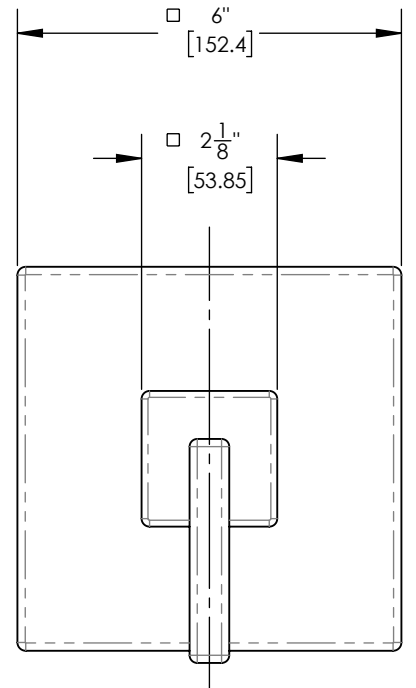
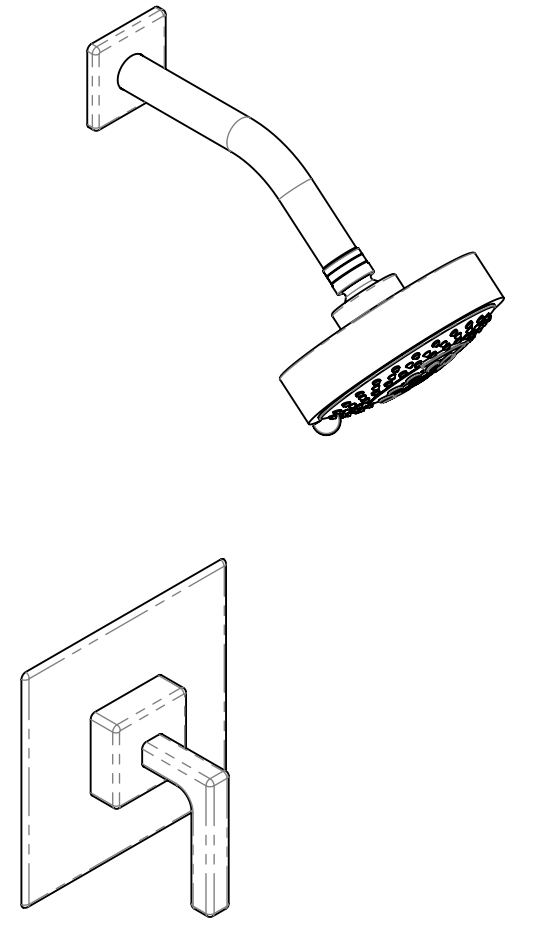
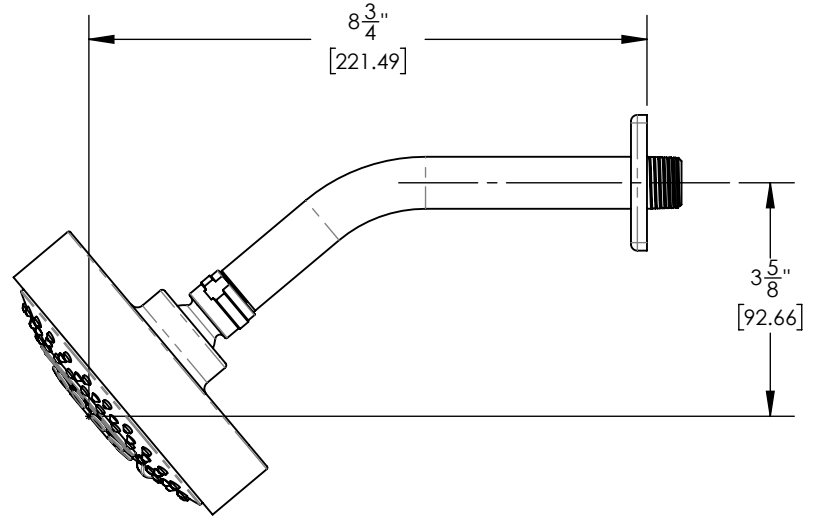
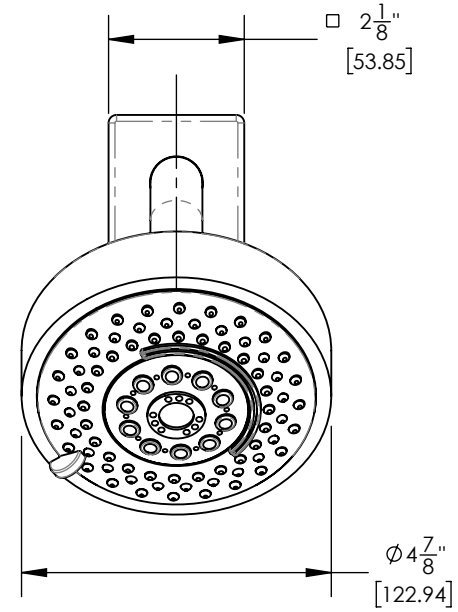
1261 LOGAN AVENUE
COSTA MESA, CALIFORNIA 92626
PHONE: 714.361.4800
FAX: 714.617.3120

PHYLIRICH[®]
Defining Luxury Since 1959

PROPRIETARY AND CONFIDENTIAL
THE INFORMATION CONTAINED IN THIS DRAWING IS THE SOLE PROPERTY OF PHYLIRICH. ANY REPRODUCTION IN PART OR AS A WHOLE WITHOUT THE WRITTEN PERMISSION OF PHYLIRICH IS PROHIBITED.
DO NOT SCALE DRAWING

SHOWER TRIM SET - PRESSURE BALANCE, LEVER, MIX

SIZE B	ASM/PRT NO. 290-22/00	REV B
SCALE: 1:3	WEIGHT: lbs.	SHEET 1 OF 2



1261 LOGAN AVENUE COSTA MESA, CALIFORNIA 92626 PHONE: 714.361.4800 FAX: 714.617.3120	PHYLIRICH [®] Defining Luxury Since 1959	PROPRIETARY AND CONFIDENTIAL THE INFORMATION CONTAINED IN THIS DRAWING IS THE SOLE PROPERTY OF PHYLIRICH. ANY REPRODUCTION IN PART OR AS A WHOLE WITHOUT THE WRITTEN PERMISSION OF PHYLIRICH IS PROHIBITED. DO NOT SCALE DRAWING	SHOWER TRIM SET - PRESSURE BALANCE, LEVER, MIX	SIZE B	ASM/PRT NO. 290-22/00	REV B
				SCALE: 1:3	WEIGHT: lbs.	SHEET 2 OF 2