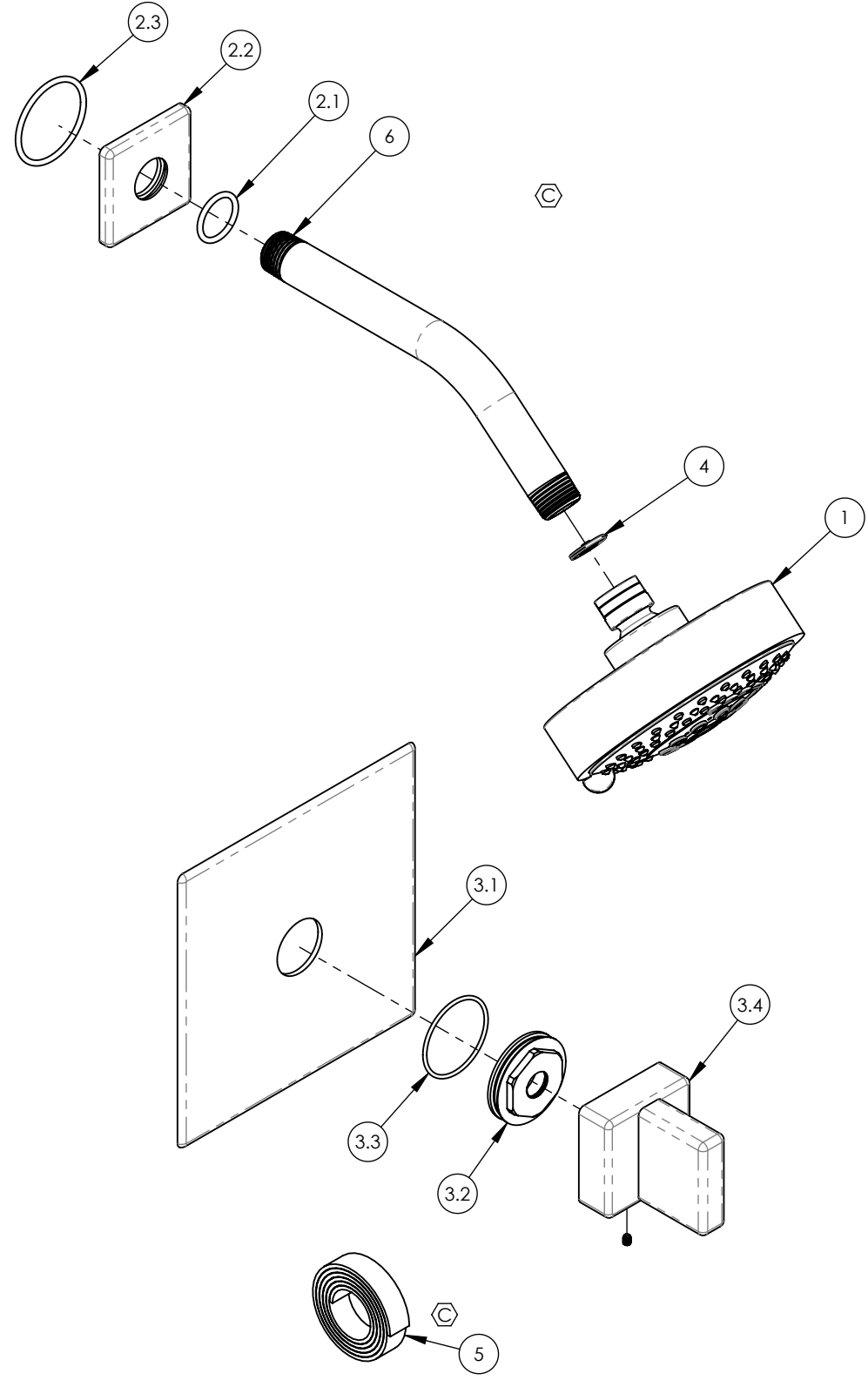


- NOTE(S):
1. PART NUMBER, "/00" DENOTES PART SHALL HAVE FINISH.
 2. APPLY NSF COMPLIANT GREASE TO ANY O-RING, SEALING JOINTS, AND/OR PIVOTAL POINTS.
 3. APPLY NSF COMPLIANT LOCTITE TO THREADED AREA.
 4. APPLY NSF COMPLIANT REMOVABLE (BLUE) LOCTITE TO THREADED AREA.
 5. SILVER SOLDER JOINTS SHALL BE FULLY WETTED VIA CAPILLARY ACTION AND COMPLETELY NON-POROUS.

- G
- L
- B
- S



ITEM NO.	PART NUMBER	DESCRIPTION	QTY.
1	3-454/00	SHOWER HEAD MULTI. FUNC. CONTEMP.	1
2	3-719/00	SHOWER FLANGE, MIX/ STRIA	1
2.1	90117	O-RING, 7/8"ID X 33/32"THK., AS-568-117	1
2.2	10935/00	ESCUTCHEON, SHOWER FLANGE MIX SERIES	1
2.3	90129	O-RING, 1-9/16"ID X 3/32"THK, AS-568-129	1
3	4-111/00	SHOWER TRIM PLATE, SINGLE HANDLE, BLADE, MIX	1
3.1	10958/00	PLATE, SHOWER TRIM MIX SERIES	1
3.2	92401	BASE MOUNT, TRIM PLATE TO ESCUTCHEON	1
3.3	90029	O-RING, 1-5/8"ID X 1-3/4"OD X 1/16"THK, AS-568-029	1
3.4	3-119/00	PB SHOWER SET, HANDLE BLADE MIX	1
4	11432	1.75 GPM FLOW REGULATOR	1
5	90537	1/16" TAPE FOR WALL PLATE	1
6	P16008/00	SHOWER ARM (8 INCH)	1

A5, D5	C	ADD TAPE, UPDATE SHOWER ASSY	6/16/2021	AMM
ZONE	REV.	DESCRIPTION	DATE	APPROVED
REVISIONS				

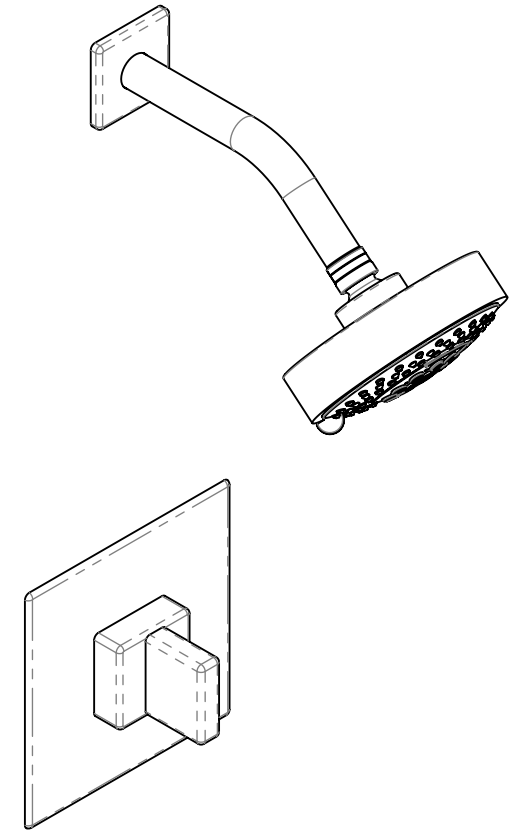
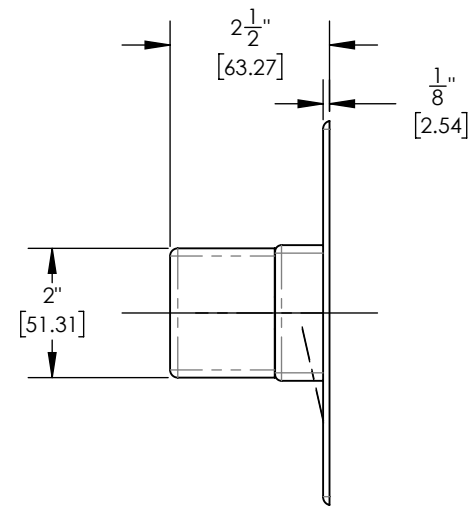
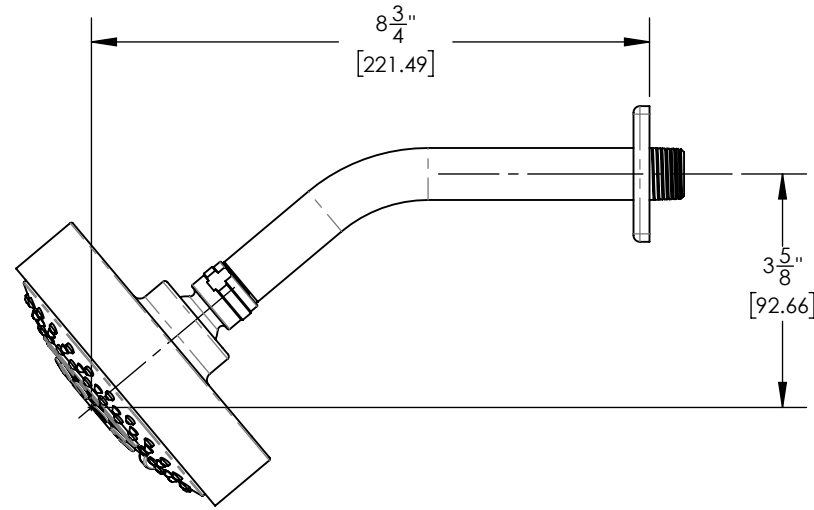
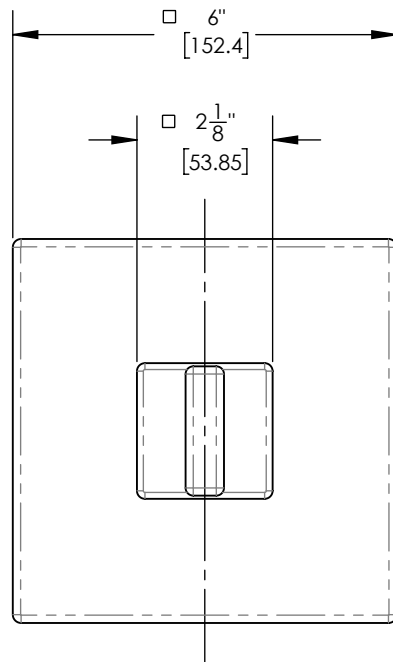
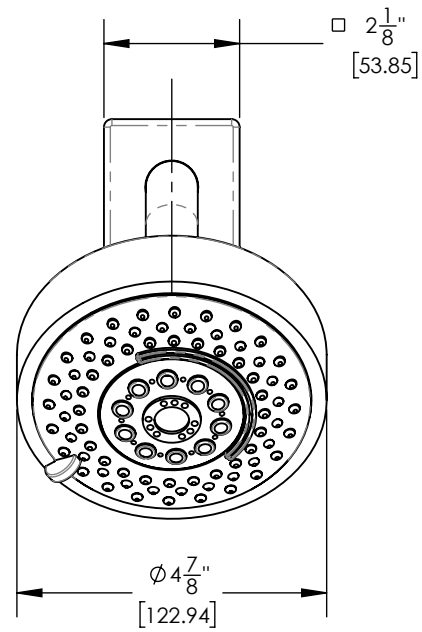
1261 LOGAN AVENUE
COSTA MESA, CALIFORNIA 92626
PHONE: 714.361.4800
FAX: 714.617.3120

PHYLIRICH[®]
Defining Luxury Since 1959

PROPRIETARY AND CONFIDENTIAL
THE INFORMATION CONTAINED IN THIS DRAWING IS THE SOLE PROPERTY OF PHYLIRICH. ANY REPRODUCTION IN PART OR AS A WHOLE WITHOUT THE WRITTEN PERMISSION OF PHYLIRICH IS PROHIBITED.
DO NOT SCALE DRAWING

SHOWER TRIM SET - PRESSURE BALANCE, BLADE, MIX

SIZE B	ASM/PRT NO. 290-21/00	REV C
SCALE: 1:3	WEIGHT: lbs.	SHEET 1 OF 2



1261 LOGAN AVENUE
COSTA MESA, CALIFORNIA 92626
PHONE: 714.361.4800
FAX: 714.617.3120

PHYLIRICH[®]
Defining Luxury Since 1959

PROPRIETARY AND CONFIDENTIAL
THE INFORMATION CONTAINED IN THIS DRAWING IS THE SOLE PROPERTY OF PHYLIRICH. ANY REPRODUCTION IN PART OR AS A WHOLE WITHOUT THE WRITTEN PERMISSION OF PHYLIRICH IS PROHIBITED.
DO NOT SCALE DRAWING

SHOWER TRIM SET - PRESSURE BALANCE,
BLADE, MIX

SIZE B	ASM/PRT NO. 290-21/00	REV C
SCALE: 1:3	WEIGHT: lbs.	SHEET 2 OF 2