

NOTE(S):  
 1. EXAMPLE OF SPLIT FINISH CODE:  
 A. 230-03/026X030

2. MARBLE HANDLE STONE OPTIONS:

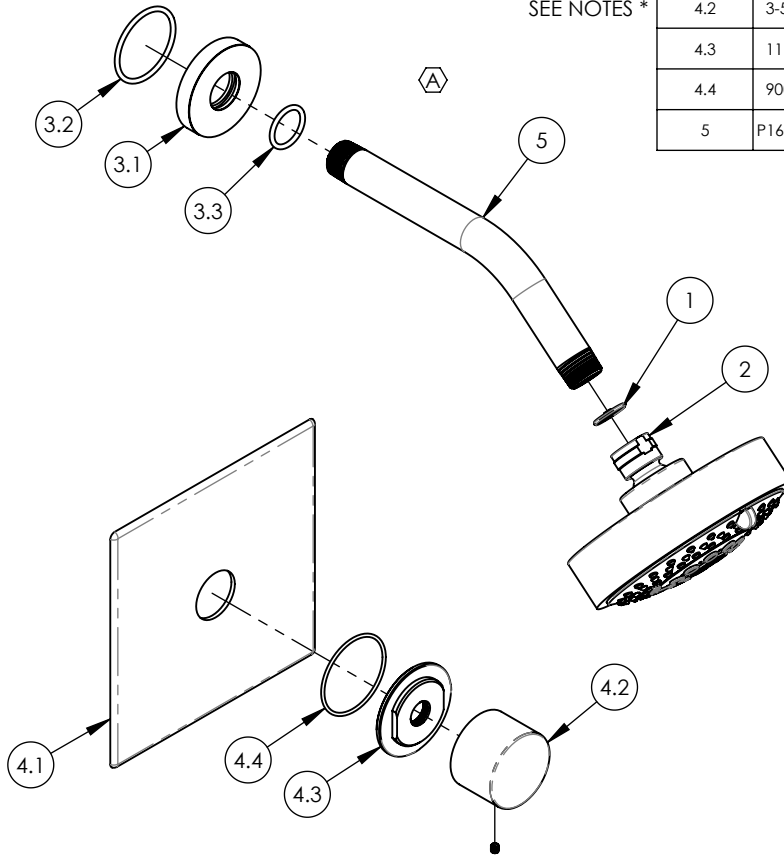
- A. BLACK MARBLE = 3-570 (.../00X030)
- B. WHITE MARBLE = 3-571 (.../00X031)
- C. SOAPSTONE = 3-572 (.../00X032)

3. APPLY NSF COMPLIANT GREASE TO ANY O-RING, SEALING JOINTS, AND/OR PIVOTAL POINTS.

4. APPLY NSF COMPLIANT LOCTITE TO THREADED AREA.

5. APPLY NSF COMPLIANT REMOVABLE (BLUE) LOCTITE TO THREADED AREA.

6. SILVER SOLDER JOINTS SHALL BE FULLY WETTED VIA CAPILLARY ACTION AND COMPLETELY NON-POROUS.



SEE NOTES \*

ITEM NO.	PART NUMBER	DESCRIPTION	QTY.
1	11432	1.75 GPM FLOW REGULATOR	1
2	3-454/00	SHOWER HEAD MULTI. FUNC. CONTEMP.	1
3	3-700/00	SHOWER FLANGE, CONTEMPORARY, ROUND	1
3.1	P16019/00	BASE SHOWER FLANGE, BASIC SERIES	1
3.2	90129	O-RING, 1-9/16"ID X 3/32THK, AS-568-129	1
3.3	90117	O-RING, 7/8"ID X 33/32"THK., AS-568-117	1
4	4-186/00	PB SHOWER TRIM PLATE, SQUARE, SINGLE HANDLE, MARBLE, BASIC II	1
4.1	10958/00	PLATE, SHOWER TRIM MIX SERIES	1
4.2	3-570	HANDLE, ROUND MARBLE, BLACK (030) ASSY	1
4.3	11164/00	ESCUTCHEON BASE, CONTEMP. BASIC II	1
4.4	90031	O-RING, 1-3/4"ID X 1/16"THK, AS-568-031	1
5	P16008/00	SHOWER ARM (8 INCH)	1

D3	A	DISSOLVE SHOWER HEAD SUBASSY	11/19/2021	AMM
ZONE	REV.	DESCRIPTION	DATE	APPROVED
REVISIONS				

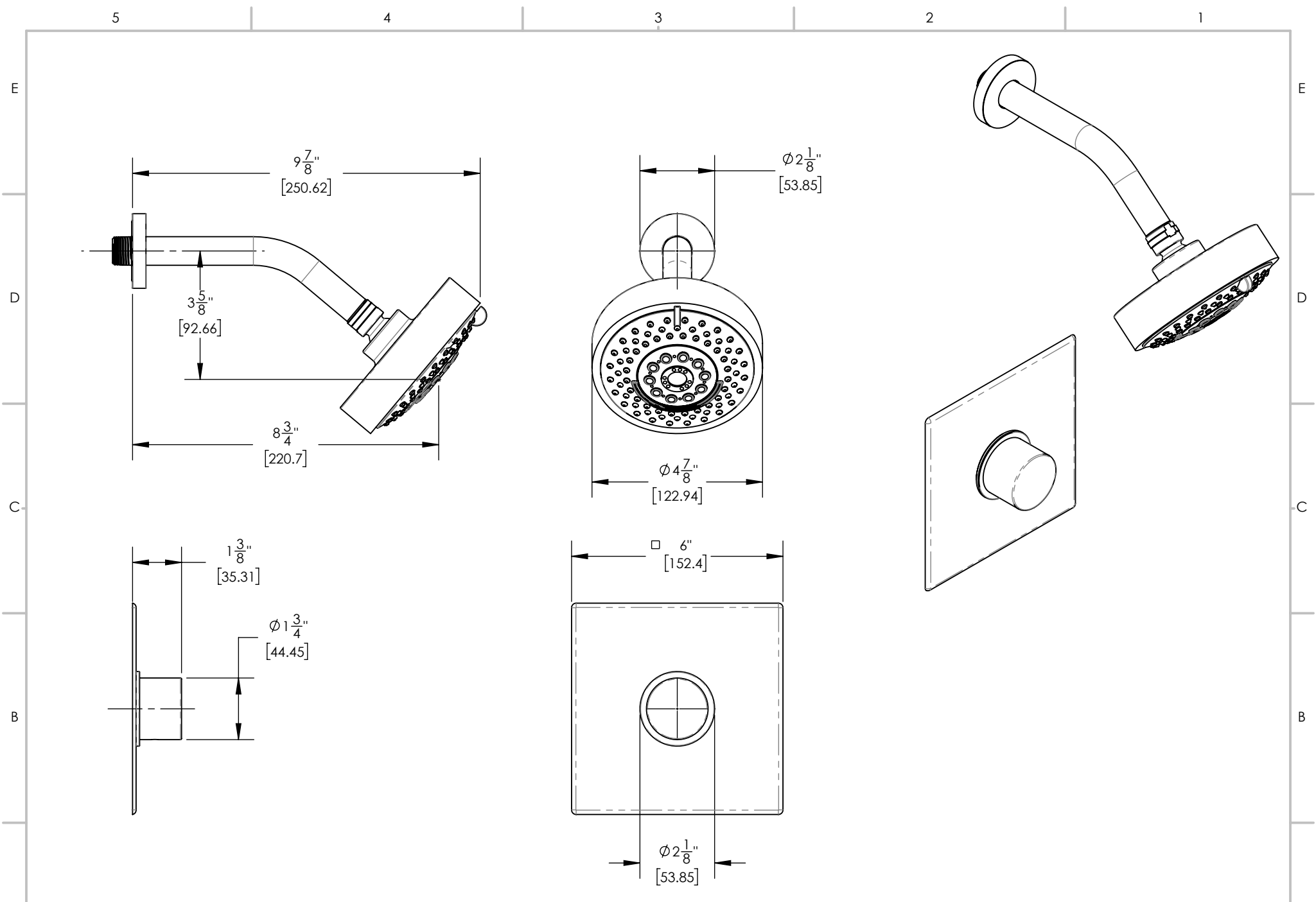
1261 LOGAN AVENUE  
 COSTA MESA, CALIFORNIA 92626  
 PHONE: 714.361.4800  
 FAX: 714.617.3120

**PHYLIRICH**<sup>®</sup>  
 Defining Luxury Since 1959

**PROPRIETARY AND CONFIDENTIAL**  
 THE INFORMATION CONTAINED IN THIS DRAWING IS THE SOLE PROPERTY OF PHYLIRICH. ANY REPRODUCTION IN PART OR AS A WHOLE WITHOUT THE WRITTEN PERMISSION OF PHYLIRICH IS PROHIBITED.  
**DO NOT SCALE DRAWING**

PRESSURE BALANCE SHOWER SET,  
 MARBLE HANDLE, SQUARE PLATE, BASIC II

SIZE <b>A</b>	ASM/PRT NO. 230S-23/00	REV A
SCALE: 1:4	WEIGHT: lbs.	SHEET 1 OF 2



1261 LOGAN AVENUE  
 COSTA MESA, CALIFORNIA 92626  
 PHONE: 714.361.4800  
 FAX: 714.617.3120

**PHYLIRICH**<sup>®</sup>  
 Defining Luxury Since 1959

**PROPRIETARY AND CONFIDENTIAL**  
 THE INFORMATION CONTAINED IN THIS DRAWING IS THE SOLE PROPERTY OF PHYLIRICH. ANY REPRODUCTION IN PART OR AS A WHOLE WITHOUT THE WRITTEN PERMISSION OF PHYLIRICH IS PROHIBITED.  
**DO NOT SCALE DRAWING**

PRESSURE BALANCE SHOWER SET,  
 MARBLE HANDLE, SQUARE PLATE, BASIC II

SIZE <b>A</b>	ASM/PRT NO. 230S-23/00	REV A
SCALE: 1:3.5	WEIGHT: lbs.	SHEET 2 OF 2

A

A