

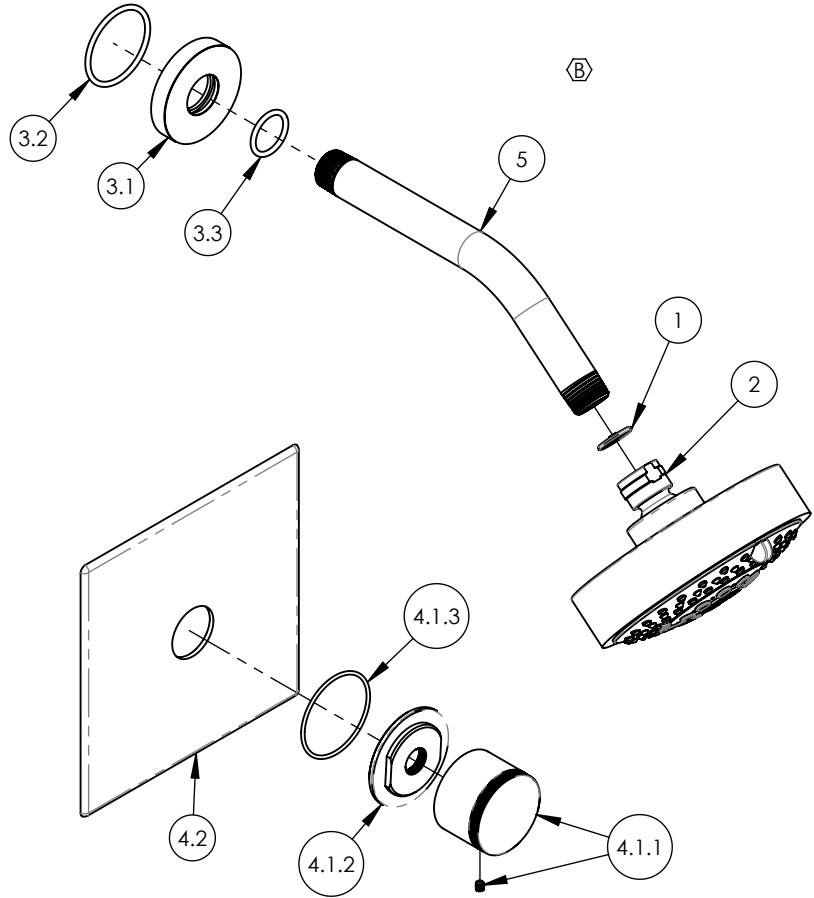
NOTE(S):
 1. PART NUMBER, "/00" DENOTES PART SHALL HAVE FINISH.

2. APPLY NSF COMPLIANT GREASE TO ANY O-RING, SEALING JOINTS, AND/OR PIVOTAL POINTS. G

3. APPLY NSF COMPLIANT LOCTITE TO THREADED AREA. L

4. APPLY NSF COMPLIANT REMOVABLE (BLUE) LOCTITE TO THREADED AREA. B

5. SILVER SOLDER JOINTS SHALL BE FULLY WETTED VIA CAPILLARY ACTION AND COMPLETELY NON-POROUS. S



ITEM NO.	PART NUMBER	DESCRIPTION	QTY.
1	11432	1.75 GPM FLOW REGULATOR	1
2	3-454/00	SHOWER HEAD MULTI. FUNC. CONTEMP.	1
3	3-700/00	SHOWER FLANGE, CONTEMPORARY, ROUND	1
3.1	P16019/00	BASE SHOWER FLANGE, BASIC SERIES	1
3.2	90129	O-RING, 1-9/16"ID X 3/32THK, AS-568-129	1
3.3	90117	O-RING, 7/8"ID X 33/32"THK., AS-568-117	1
4	4-184/00	SHOWER TRIM PLATE, SQUARE, KNURLED HANDLE, BASIC II	1
4.1	3-329/00	SUB ASSY. KNURLED HANDLE, BASIC II	1
4.1.1	2-247/00	HANDLE KNURLED, BASIC II	1
4.1.2	11164/00	ESCUTCHEON BASE, CONTEMP. BASIC II	1
4.1.3	90031	O-RING, 1-3/4"ID X 1/16"THK, AS-568-031	1
4.2	10958/00	PLATE, SHOWER TRIM MIX SERIES	1
5	P16008/00	SHOWER ARM (8 INCH)	1

D4	B	DISSOLVE SHOWER HEAD SUBASSY	11/19/2021	AMM
ZONE	REV.	DESCRIPTION	DATE	APPROVED
REVISIONS				

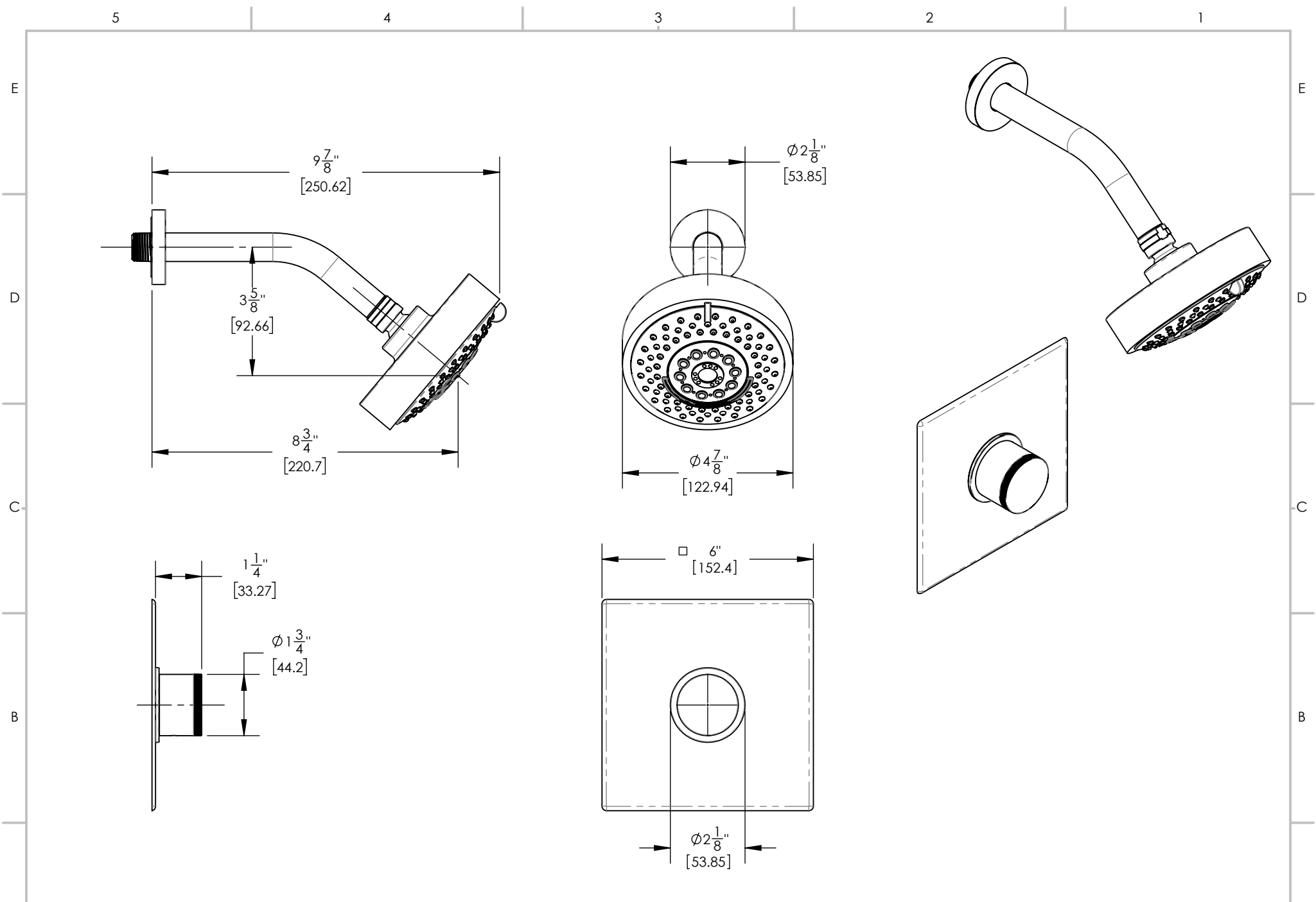
1261 LOGAN AVENUE
 COSTA MESA, CALIFORNIA 92626
 PHONE: 714.361.4800
 FAX: 714.617.3120

PHYL RICH[®]
 Defining Luxury Since 1959

PROPRIETARY AND CONFIDENTIAL
 THE INFORMATION CONTAINED IN THIS DRAWING IS THE SOLE PROPERTY OF PHYL RICH. ANY REPRODUCTION IN PART OR AS A WHOLE WITHOUT THE WRITTEN PERMISSION OF PHYL RICH IS PROHIBITED.
DO NOT SCALE DRAWING

**PRESSURE BALANCE SHOWER SET,
 KNURLED HANDLE, SQUARE PLATE,
 BASIC II**

SIZE A	ASM/PRT NO. 230S-21/00	REV B
SCALE: 1:3.75	WEIGHT: lbs.	SHEET 1 OF 2



1261 LOGAN AVENUE
 COSTA MESA, CALIFORNIA 92626
 PHONE: 714.361.4800
 FAX: 714.617.3120

PHYLIRICH[®]
 Defining Luxury Since 1959

PROPRIETARY AND CONFIDENTIAL
 THE INFORMATION CONTAINED IN THIS DRAWING IS THE SOLE PROPERTY OF PHYLIRICH. ANY REPRODUCTION IN PART OR AS A WHOLE WITHOUT THE WRITTEN PERMISSION OF PHYLIRICH IS PROHIBITED.
DO NOT SCALE DRAWING

**PRESSURE BALANCE SHOWER SET,
 KNURLED HANDLE, SQUARE PLATE,
 BASIC II**

SIZE A	ASM/PRT NO. 230S-21/00	REV B
SCALE: 1:3.5	WEIGHT: lbs.	SHEET 2 OF 2

A

A