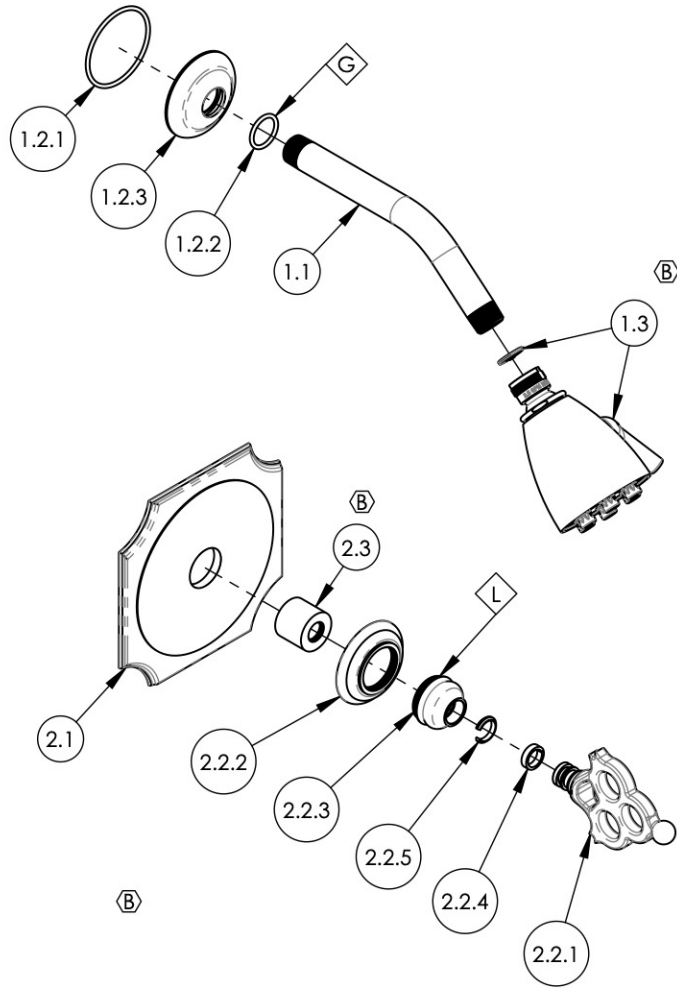


NOTE(S):

1. APPLY NSF COMPLIANT GREASE TO ANY O-RING, SEALING JOINTS, AND/OR PIVOTAL POINTS. G
2. APPLY NSF COMPLIANT LOCTITE TO THREADED AREA. L



ITEM NO.	PART NUMBER	DESCRIPTION	QTY.
1	4-140/00	SHOWER HEAD 8" ARM, 6 JET PLUNGER, HEX TRADITIONAL	1
1.1	P16008/00	SHOWER ARM (8 INCH)	1
1.2	810/00	SHOWER FLANGE, TRADITIONAL	1
1.2.1	90138	O-RING, 2 1/8"ID X 3/32"THK., AS-568-138	1
1.2.2	90117	O-RING, 7/8"ID X 33/32"THK., AS-568-117	1
1.2.3	P16011/00	K803 SHOWER FLANGE	1
1.3	3-018/00	SHOWERHEAD SIX JET	1
2	4-469/00	1/2" MINI THERMOSTATIC SHOWER TRIM, MAISON	1
2.1	10515/00	TRIM PLATE, FRENCH TRAD. PB/THERMO	1
2.2	3-328/00	FLAT HANDLE, TRADITIONAL	1
2.2.1	11159/00	HANDLE FLAT CROWN, TRADITIONAL	1
2.2.2	10620/00	ESCUTCHEON, TRADITIONAL RT 1-1/4"-20	1
2.2.3	11161/00	BASE HANDLE, TRADITIONAL	1
2.2.4	P35053	WEAR WASHER, WAVELAND HANDLE	1
2.2.5	P35052	SNAP WASHER, WAVELAND HANDLE	1
2.3	11087	SLEEVE FOR PB-THERM PLATE	1

ALL	B	UPDATE TEMPLATE, DWG NAME, SLEEVE MOUNT, SHOWERHEAD, ADD CALL OUTS, REMOVE TAPE	8/3/2020	AMM
ZONE	REV.	DESCRIPTION	DATE	APPROVED

REVISIONS

PROPRIETARY AND CONFIDENTIAL

THE INFORMATION CONTAINED IN THIS DRAWING IS THE SOLE PROPERTY OF PHYLRICH. ANY REPRODUCTION IN PART OR AS A WHOLE WITHOUT THE WRITTEN PERMISSION OF PHYLRICH IS PROHIBITED.

1261 LOGAN AVENUE  
COSTA MESA, CALIFORNIA 92626  
PHONE: 714.361.4800  
FAX: 714.617.3120

**PHYLRICH**<sup>®</sup>  
Defining Luxury Since 1959

NEXT ASSY		USED ON		INTERPRET GEOMETRIC DIMENSIONING & TOLERANCING IN ACCORDANCE WITH ASME Y14.5-2009 & ASME Y14.41-2003 STANDARDS, UNLESS OTHERWISE SPECIFIED. DIMENSIONS ARE IN INCHES. TOLERANCES ARE: FRACTIONS ±1/16" DECIMALS X.X: ±.1 X.XX: ±.01 X.XXX: ±.005 ANGULAR ±2°
APPLICATION				
MATERIAL	NAME	DATE		
FINISH	DRAWN	LLO	11/5/2015	
<b>DO NOT SCALE DRAWING</b>				CHECKED
				GRE

SHOWER TRIM SET, PRESSURE BALANCE, MAISON

SIZE	ASM/PRT NO.	REV
<b>A</b>	164-21/00	<b>B</b>

SCALE: 1:5      WEIGHT: lbs.      SHEET 1 OF 2