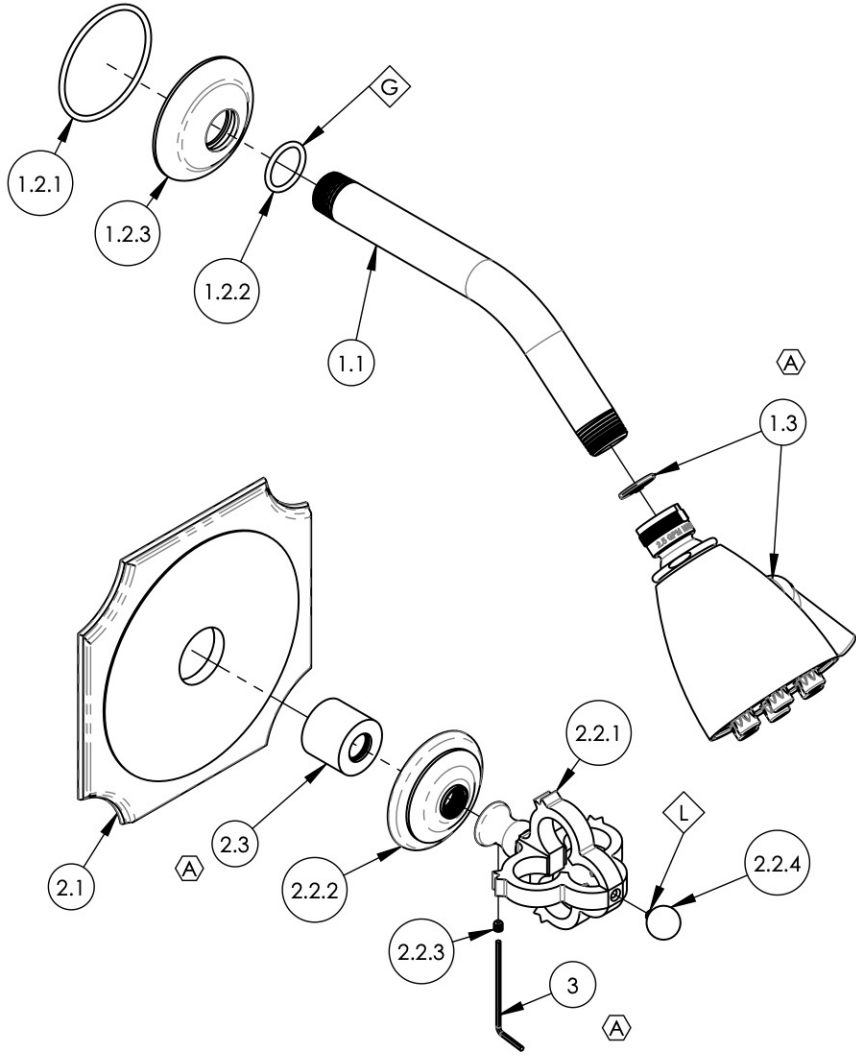


- NOTE(S):
1. APPLY NSF COMPLIANT GREASE TO ANY O-RING, SEALING JOINTS, AND/OR PIVOTAL POINTS.
  2. APPLY NSF COMPLIANT LOCTITE TO THREADED AREA.

G  
L



ITEM NO.	PART NUMBER	DESCRIPTION	QTY.
1	4-140/00	SHOWER HEAD 8" ARM, 6 JET PLUNGER, HEX TRADITIONAL	1
1.1	P16008/00	SHOWER ARM (8 INCH)	1
1.2	810/00	SHOWER FLANGE, TRADITIONAL	1
1.2.1	90138	O-RING, 2 1/8"ID X 3/32"THK., AS-568-138	1
1.2.2	90117	O-RING, 7/8"ID X 33/32"THK., AS-568-117	1
1.2.3	P16011/00	K803 SHOWER FLANGE	1
1.3	3-018/00	SHOWERHEAD SIX JET	1
2	4-472/00	1/2" MINI THERMOSTATIC SHOWER TRIM, COURONNE	1
2.1	10515/00	TRIM PLATE, FRENCH TRAD. PB/THERMO	1
2.2	3-340/00	ASSY, HANDLE & ESCUTCHEON COURONNE SERIES	1
2.2.1	2-038/00	ASSY, HANDLE & ESCUTCHEON COURONNE SERIES	1
2.2.2	11175/00	ESCUTCHEON, COURONNE SERIES	1
2.2.3	92008	SET SCREW, CUP POINT 8-32, 3/16" L.	1
2.2.4	11160/00	FINIAL BALL, TOP CROWN	1
2.3	11087	SLEEVE FOR PB-THERM PLATE	1
3	P39001	HEX KEY 5/64, FOR 8-32 SET SCREW	1

ALL	A	UPDATE TEMPLATE, SHOWERHEAD, SLEEVE MOUNT, HEX KEY, ADD CALL OUTS, REMOVE TAPE	7/30/2020	AMM
ZONE	REV.	DESCRIPTION	DATE	APPROVED
REVISIONS				

1261 LOGAN AVENUE  
COSTA MESA, CALIFORNIA 92626  
PHONE: 714.361.4800  
FAX: 714.617.3120

**PHYLIRICH**<sup>®</sup>  
Defining Luxury Since 1959

**PROPRIETARY AND CONFIDENTIAL**  
THE INFORMATION CONTAINED IN THIS DRAWING IS THE SOLE PROPERTY OF PHYLIRICH. ANY REPRODUCTION IN PART OR AS A WHOLE WITHOUT THE WRITTEN PERMISSION OF PHYLIRICH IS PROHIBITED.

-		INTERPRET GEOMETRIC DIMENSIONING & TOLERANCING IN ACCORDANCE WITH ASME Y14.5-2009 & ASME Y14.41-2003 STANDARDS, UNLESS OTHERWISE SPECIFIED. DIMENSIONS ARE IN INCHES. TOLERANCES ARE:		
NEXT ASSY	USED ON	FRACTIONS ±1/16"	DECIMALS X.X: ±.1 X.XX: ±.01 X.XXX: ±.005	ANGULAR ±2°
APPLICATION		MATERIAL	NAME	DATE
FINISH		DRAWN	LLO	10/21/2015
DO NOT SCALE DRAWING		CHECKED	GRE	

**PRESSURE BALANCE SHOWER SET,  
COURONNE**

SIZE	ASM/PRT NO.	REV
<b>A</b>	163-21/00	<b>A</b>
SCALE: 1:3.5	WEIGHT: lbs.	SHEET 1 OF 2