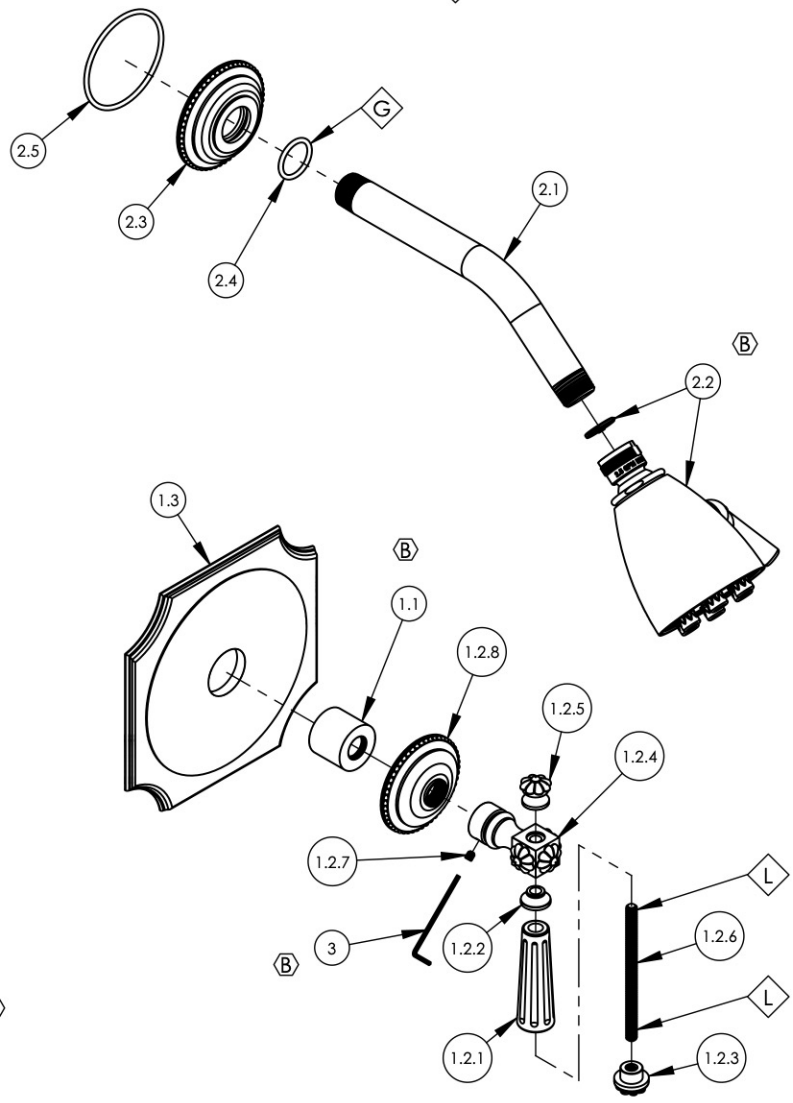


- NOTE(S):
1. APPLY NSF COMPLIANT GREASE TO ANY O-RING, SEALING JOINTS, AND/OR PIVOTAL POINTS. G
 2. APPLY NSF COMPLIANT LOCTITE TO THREADED AREA. L



ITEM NO.	PART NUMBER	DESCRIPTION	QTY.
1	4-476/00	SHOWER TRIM PLATE, LEVER HANDLE, MARVELLE	1
1.1	11087	SLEEVE FOR PB-THERM PLATE	1
1.2	3-030/00	HANDLE LEVER, MARVELLE SEIRES	1
1.2.1	10541/00	LEVER HANDLE INSERT, MARVELLE	1
1.2.2	11102/00	BASE HANDLE FOR LEVER HEX TRADITIONAL 500 SERIES	1
1.2.3	2-111/00	SUB-ASSY. END CAP FINIAL, MARVELLE	1
1.2.4	2-113/00	SUB-ASSY. LEVER TRASITION FINIAL, MARVELLE	1
1.2.5	2-112/00	SUB-ASSY. FINIAL EXTENSION BACK LEVER	1
1.2.6	10543	THREADED ROD, 1/4"-20 X 3"-5/8 L	1
1.2.7	92008	SET SCREW, CUP POINT 8-32, 3/16" L.	2
1.2.8	10540/00	ESCUTCHEON, MARVELLE SERIES	1
1.3	10515/00	TRIM PLATE, FRENCH TRAD. PB/THERMO	1
2	4-509/00	SHOWER HEAD 8" ARM, 6 JET PLUNGER, MARVELLE	1
2.1	P16008/00	SHOWER ARM (8 INCH)	1
2.2	3-018/00	SHOWERHEAD SIX JET	1
2.3	11313/00	ESCUTCHEON, SPOUT, WALL LAV, MARVELLE	1
2.4	90117	O-RING, 7/8"ID X 33/32"THK., AS-568-117	1
2.5	90140	O-RING, 2-1/4ID X 3/32"THK., AS-568-140	1
3	P39001	HEX KEY 5/64, FOR 8-32 SET SCREW	1

ALL	B	UPDATE TEMPLATE, DWG DESCRIPTION, SHOWERHEAD, HEX KEY, SLEEVE MNT. REMOVE TAPE, ADD CALL OUTS	7/28/2020	AMM
ZONE	REV.	DESCRIPTION	DATE	APPROVED
REVISIONS				

1261 LOGAN AVENUE
COSTA MESA, CALIFORNIA 92626
PHONE: 714.361.4800
FAX: 714.617.3120

PHYL RICH[®]
Defining Luxury Since 1959

PROPRIETARY AND CONFIDENTIAL
THE INFORMATION CONTAINED IN THIS DRAWING IS THE SOLE PROPERTY OF PHYL RICH. ANY REPRODUCTION IN PART OR AS A WHOLE WITHOUT THE WRITTEN PERMISSION OF PHYL RICH IS PROHIBITED.

-	-	INTERPRET GEOMETRIC DIMENSIONING & TOLERANCING IN ACCORDANCE WITH ASME Y14.5-2009 & ASME Y14.41-2003 STANDARDS, UNLESS OTHERWISE SPECIFIED. DIMENSIONS ARE IN INCHES. TOLERANCES ARE:		
NEXT ASSY	USED ON	FRACTIONS ±1/16"	DECIMALS X.X: ±.1 X.XX: ±.01 X.XXX: ±.005	ANGULAR ±2°
APPLICATION				
MATERIAL	NAME		DATE	
FINISH	DRAWN	LLO	10/15/2015	
DO NOT SCALE DRAWING		CHECKED	GRE	

SHOWER TRIM SET, LEVER HANDLE MARVELLE			
SIZE	ASM/PRT NO.	REV	
A	162-22/00	B	
SCALE: 1:4.25	WEIGHT: lbs.	SHEET 1 OF 2	