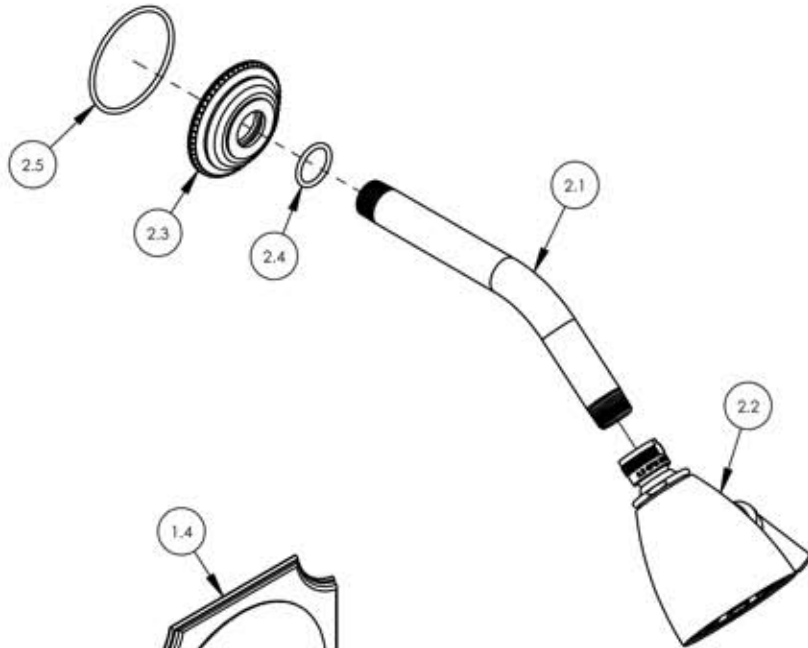
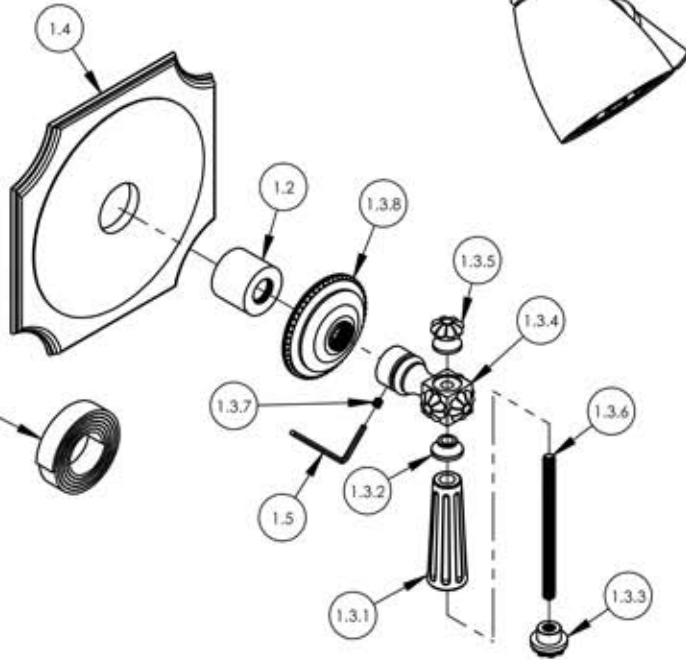


A



B



C

D

ITEM NO.	PART NUMBER	DESCRIPTION	QTY.
1	4-476/00	1/2" MINI THERMOSTATIC SHOWER TRIM, LEVER HANDLE, MARVELLE SERIES	1
1.1	90537	1/16" TAPE FOR WALL PLATE	1
1.2	10986	CENTERING PLATE SLEEVE	1
1.3	3-030/00	HANDLE LEVER, MARVELLE SEIRES	1
1.3.1	10541/00	LEVER HANDLE INSERT, MARVELLE	1
1.3.2	11102/00	BASE HANDLE FOR LEVER HEX TRADITIONAL 500 SERIES	1
1.3.3	2-111/00	SUB-ASSY. END CAP FINIAL, MARVELLE	1
1.3.4	2-113/00	SUB-ASSY. LEVER TRASITION FINIAL, MARVELLE	1
1.3.5	2-112/00	SUB-ASSY. FINIAL EXTENSION BACK LEVER	1
1.3.6	10543	THREADED ROD, 1/4"-20 X 3"-5/8 L	1
1.3.7	92008	SET SCREW, CUP POINT 8-32	2
1.3.8	10540/00	ESCUTCHEON, MARVELLE SERIES	1
1.4	10515/00	TRIM PLATE, FRENCH TRAD. PB/THERMO	1
1.5	92184	HEX L-KEY 3/32" HEX x 2 1/8"L	1
2	4-509/00	SHOWER HEAD 8" ARM, 6 JET PLUNGER, MARVELLE	1
2.1	P16008/00	SHOWER ARM (8 INCH)	1
2.2	P16014/00	SHOWERHEAD SIX JET	1
2.3	11313/00	ESCUTCHEON, SPOUT, WALL LAV, MARVELLE	1
2.4	90117	O-RING, 7/8"ID X 33/32"THK., AS-568-117	1
2.5	90140	O-RING, 2-1/4"ID X 3/32"THK., AS-568-140	1

E

ALL	A	-ASSY. UPDATED WITH SUB ASSY'S	12/4/2015	GRE
ZONE	REV.	DESCRIPTION	DATE	APPROVED
REVISIONS				
1261 LOGAN AVENUE COSTA MESA, CALIFORNIA 92626 PHONE: 714.361.4800 FAX: 714.617.3120		PHYL RICH®	PROPRIETARY AND CONFIDENTIAL THE INFORMATION CONTAINED IN THIS DRAWING IS THE SOLE PROPERTY OF RISS MANUFACTURING. ANY REPRODUCTION IN PART OR AS A WHOLE WITHOUT THE WRITTEN PERMISSION OF RISS MANUFACTURING IS PROHIBITED.	
Defining Luxury Since 1959				

-	-	INTERPRET GEOMETRIC DIMENSIONING & TOLERANCING IN ACCORDANCE WITH ASME Y14.5-2009 & ASME Y14.41-2003 STANDARDS, UNLESS OTHERWISE SPECIFIED. DIMENSIONS ARE IN INCHES. TOLERANCES ARE:		
NEXT ASSY	USED ON	FRACTIONS ±1/64"	DECIMALS X.X: ±.1 X.XX: ±.01 X.XXX: ±.005	ANGULAR ±.5°
APPLICATION		MATERIAL	NAME	DATE
FINISH		DRAWN	LL0	10/15/2015
DO NOT SCALE DRAWING		CHECKED	GRE	

PRESSURE BALANCE SHOWER SET, LEVER HANDLE, MARVELLE SERIES

SIZE	ASM/PRT NO.	REV
A	162-22/00	A
SCALE: 1:4	WEIGHT: lbs.	SHEET 1 OF 2

5

4

3

2

1