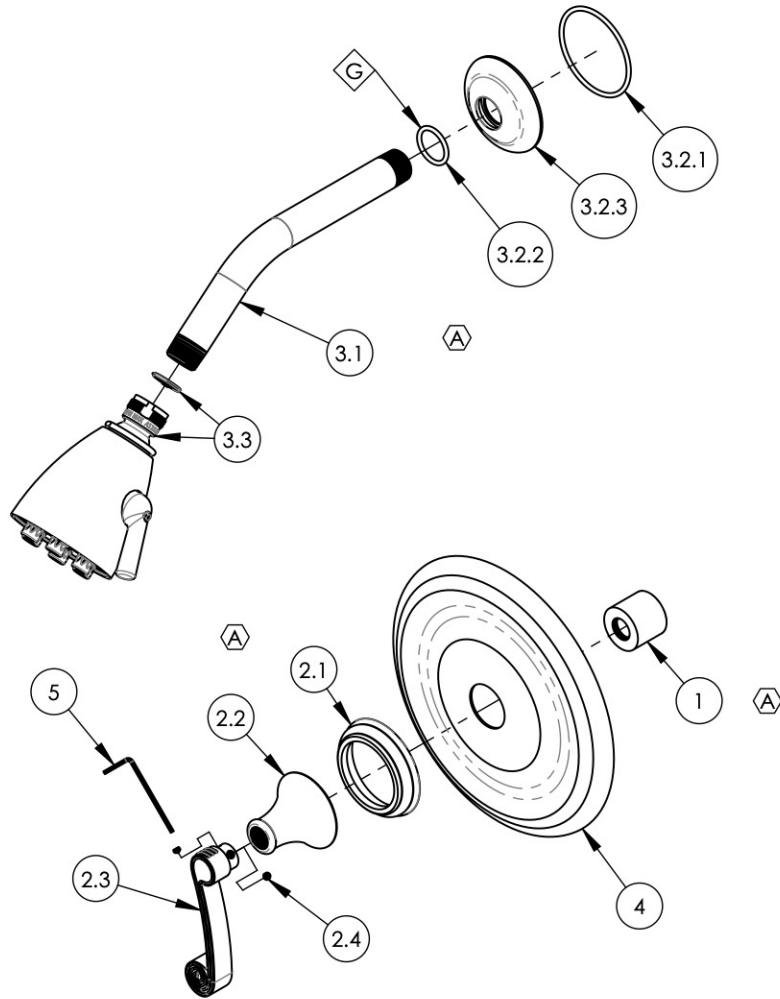


NOTE(S):
 1. APPLY NSF COMPLIANT GREASE TO ANY O-RING, SEALING JOINTS, AND/OR PIVOTAL POINTS.



ITEM NO.	PART NUMBER	DESCRIPTION	QTY.
1	11087	SLEEVE FOR PB-THERM PLATE	1
2	3-477/00	ASSY. RIGHT CURVED LEVER HANDLE, 3 RING SERIES	1
2.1	11188/00	ESCUTCHEON, HANDLE BASE 3RING	1
2.2	10972/00	HUB, TRANSITIONAL 3RING	1
2.3	P01080	3 RING CURVED HANDLE, RIGHT	1
2.4	92163	SET SCREW, CONE PT 8-32 X 1/8"L	2
2.2	4-140/00	SHOWER HEAD 8" ARM, 6 JET PLUNGER, HEX TRADITIONAL	1
3.1	P16008/00	SHOWER ARM (8 INCH)	1
3.2	810/00	SHOWER FLANGE, TRADITIONAL	1
3.2.1	90138	O-RING, 2 1/8"ID X 3/32"THK., AS-568-138	1
3.2.2	90117	O-RING, 7/8"ID X 33/32"THK., AS-568-117	1
3.2.3	P16011/00	K803 SHOWER FLANGE	1
3.3	3-018/00	SHOWERHEAD SIX JET	1
4	P17009/00	PRESSURE BALANCE TRIM PLATE	1
5	P39001	HEX KEY 5/64, FOR 8-32 SET SCREW	1

ALL	A	UPDATE TEMPLATE, PB ASSY & SHOWER ASSY, ADD CALL OUTS	4/13/2020	AMM
ZONE	REV.	DESCRIPTION	DATE	APPROVED
REVISIONS				

1261 LOGAN AVENUE
 COSTA MESA, CALIFORNIA 92626
 PHONE: 714.361.4800
 FAX: 714.617.3120

PHYLIRICH[®]
 Defining Luxury Since 1959

PROPRIETARY AND CONFIDENTIAL
 THE INFORMATION CONTAINED IN THIS DRAWING IS THE SOLE PROPERTY OF PHYLIRICH. ANY REPRODUCTION IN PART OR AS A WHOLE WITHOUT THE WRITTEN PERMISSION OF PHYLIRICH IS PROHIBITED.

-	-	INTERPRET GEOMETRIC DIMENSIONING & TOLERANCING IN ACCORDANCE WITH ASME Y14.5-2009 & ASME Y14.41-2003 STANDARDS, UNLESS OTHERWISE SPECIFIED. DIMENSIONS ARE IN INCHES. TOLERANCES ARE:		
NEXT ASSY	USED ON	FRACTIONS ±1/16"	DECIMALS X.X: ±.1 X.XX: ±.01 X.XXX: ±.005	ANGULAR ±2°
APPLICATION		MATERIAL	NAME	DATE
FINISH		DRAWN	CA	9/19/2013
DO NOT SCALE DRAWING		CHECKED		

**PB SHOWER SET TRIM 3RING SERIES,
 CURVED LEVER (205-22/00)**

SIZE **A** ASM/PRT NO. **DPB3206/00** REV **A**

SCALE: 1:4.5 WEIGHT: lbs. SHEET 1 OF 2