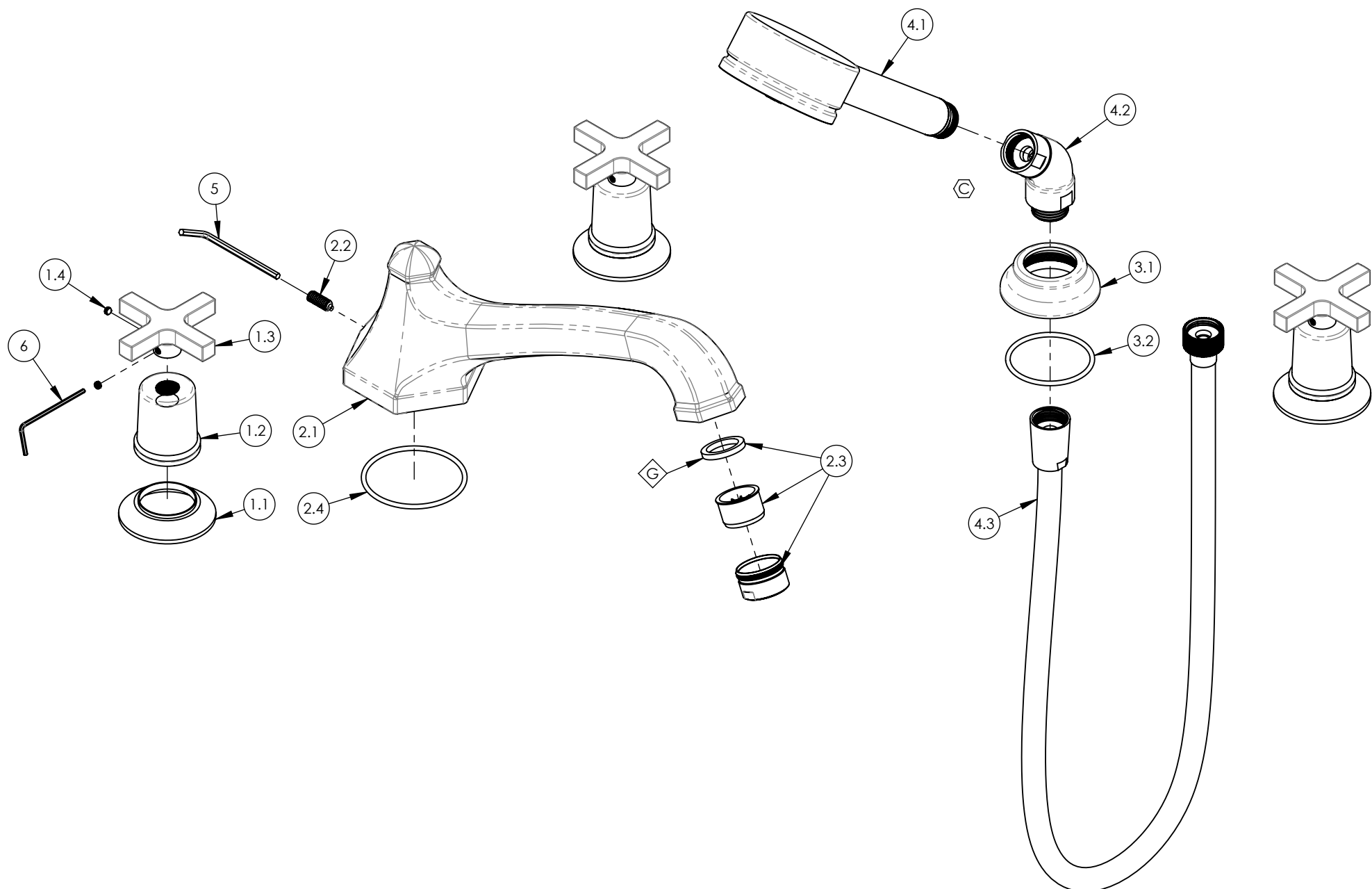


NOTE(S):  
 1. PART NUMBER, "/00" DENOTES PART SHALL HAVE FINISH.  
 2. APPLY NSF COMPLIANT GREASE TO ANY O-RING, SEALING JOINTS, AND/OR PIVOTAL POINTS.



ITEM NO.	PART NUMBER	DESCRIPTION	QTY.
1	3-132/00	CROSS HANDLE, HEX MODERN, 501 SERIES	3
1.1	10921/00	ESCUTCHEON, TRANSITIONAL	1
1.2	10922/00	HUB, FOR HEX TRANSITIONAL	1
1.3	10633/00	HANDLE CROSS, CONTEMPORARY 16PT	1
1.4	92163	SET SCREW, CONE PT 8-32 X 1/8"L	2
2	3-144/00	SPOUT, DECK TUB, 500/501 SERIES	1
2.1	P27015	SPOUT, DECK TUB, LE VERRE LA CROSSE	1
2.2	92262	SET SCREW, CUP PT 1/4"-20 X 5/8"L	1
2.3	3-610/00	AERATOR & HOUSING, M28X1, TUB FILLER, FULL FLOW	1
2.4	90139	O-RING, 2-3/16ID X 3/32THK., AS-568-139	1
3	3-210/00	ESCUTCHEON BASE, HANDSHOWER, TRADITIONAL	1
3.1	P18001/00	ESCUTCHEON BASE, DECK TUB, HANDSHOWER, TRADITIONAL	1
3.2	90133	1 3/4"O-RING, 1-13/16ID X 3/32THK, AS-568-133	1
4	4-524/00	HAND SHOWER HEAD, ELBOW, HOSE, SINGLE FUNCTION STILO 70	1
4.1	3-066/00	HANDSHOWER, SINGLE FUNCTION STILO 70	1
4.2	3-050/00	ELBOW ASSEMBLY	1
4.3	3-049/00	ASSY, HOSE KIT, HANDSHOWER	1
5	92216	HEX L-KEY 1/8" HEX X 2-5/16"L	1
6	P39001	HEX KEY 5/64, FOR 8-32 SET SCREW	1



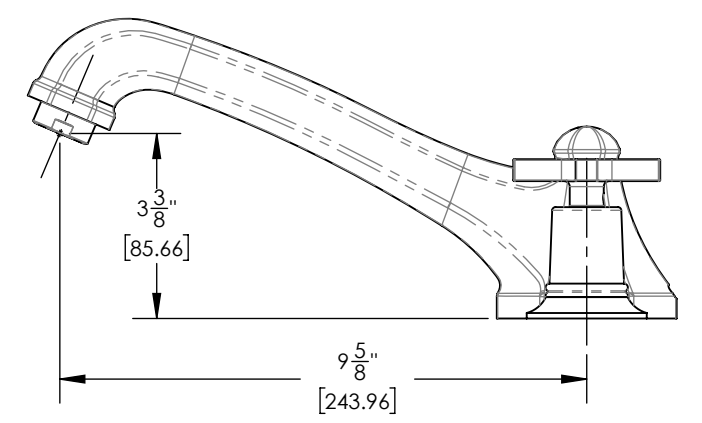
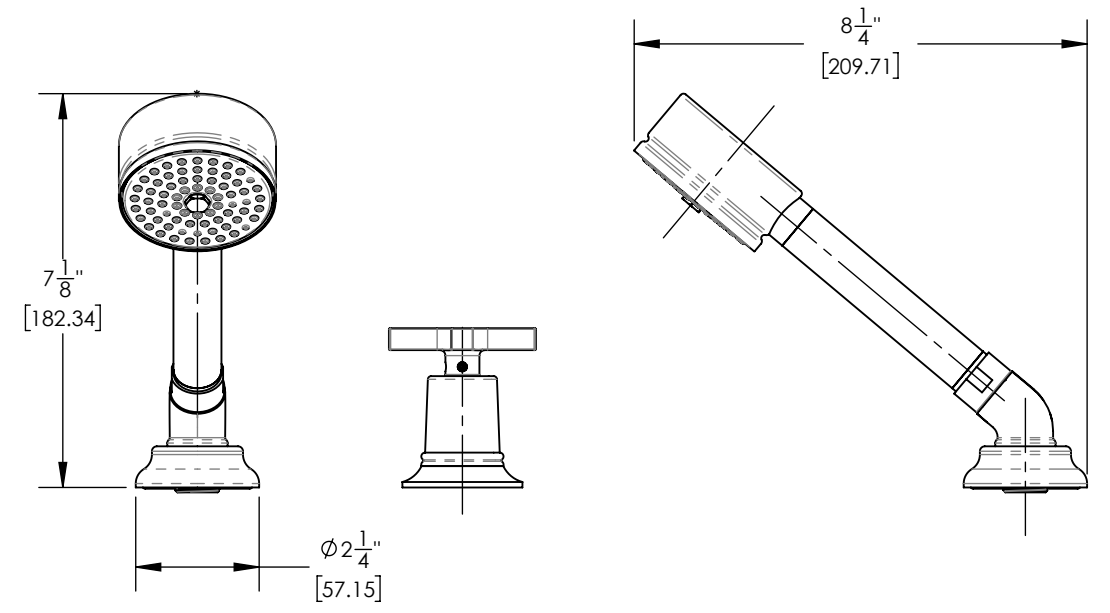
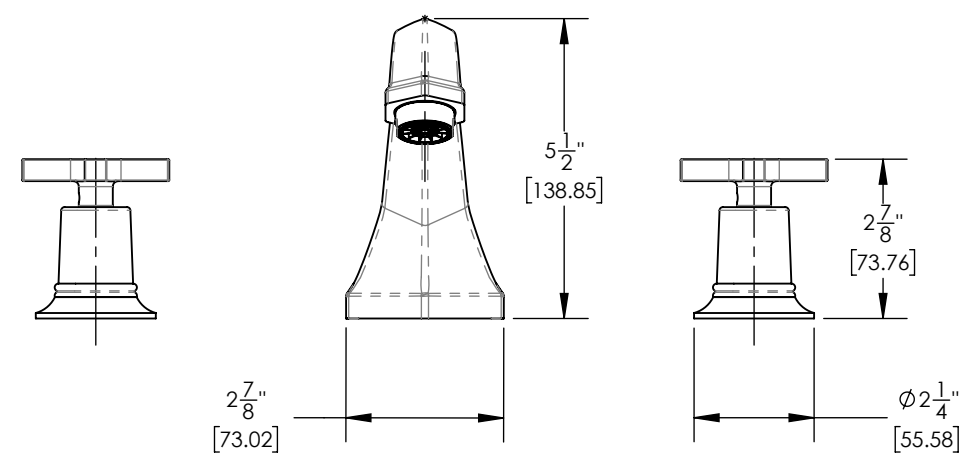
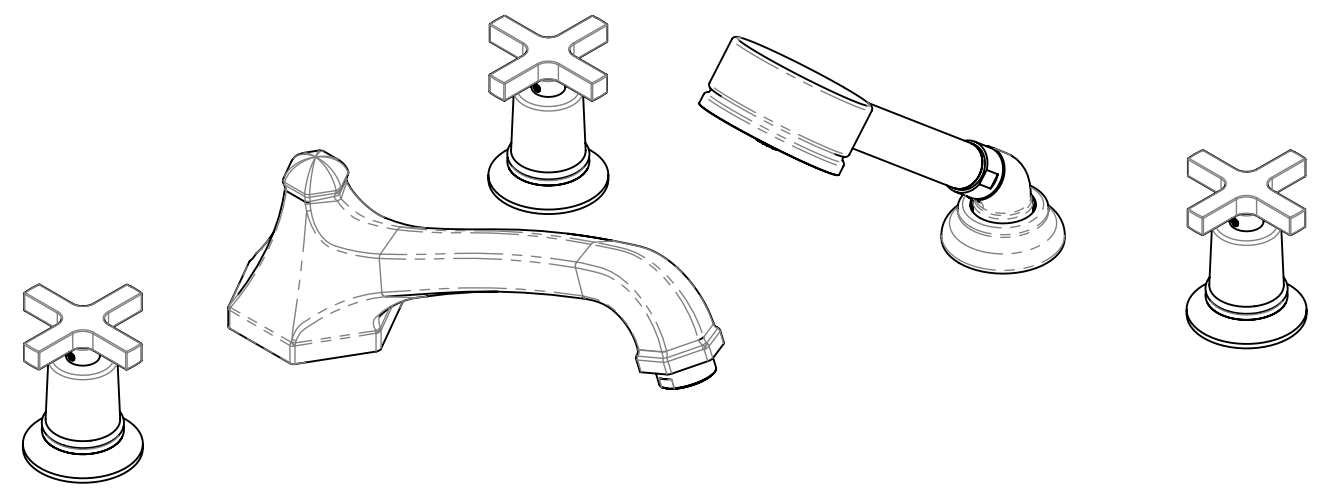
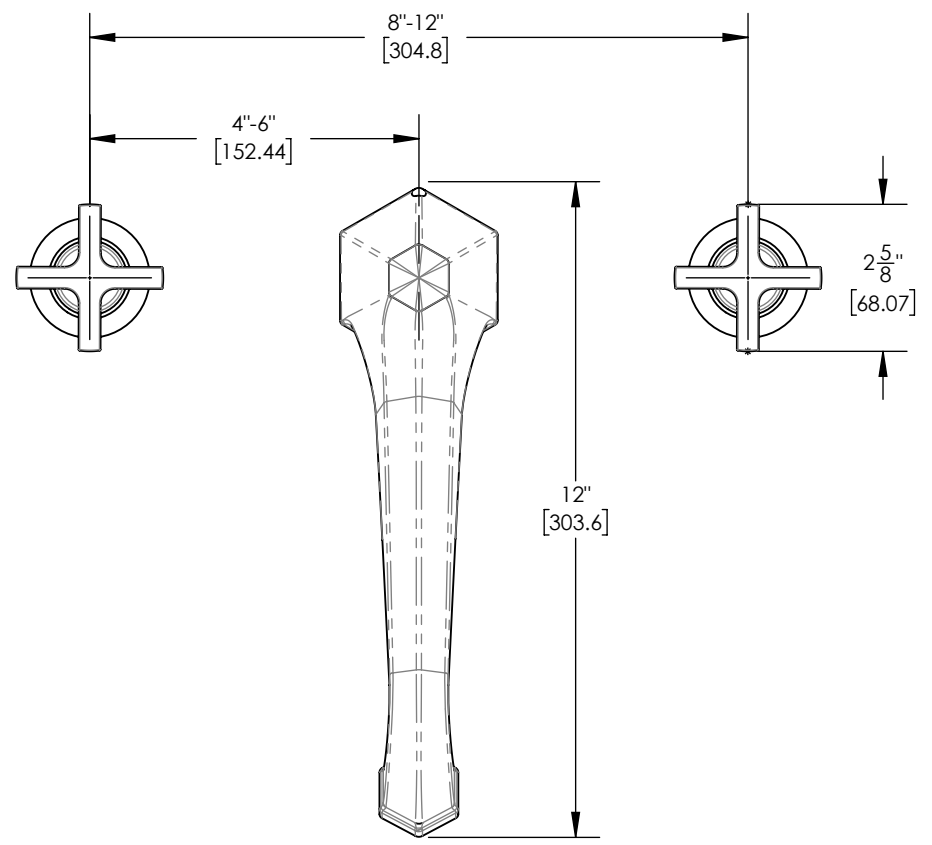
D4	C	UPDATE HAND SHOWER ASSEMBLY	10/8/2020	AMM
ZONE	REV.	DESCRIPTION	DATE	APPROVED
REVISIONS				
1261 LOGAN AVENUE COSTA MESA, CALIFORNIA 92626 PHONE: 714.361.4800 FAX: 714.617.3120		<b>PHYLIRICH</b> Defining Luxury Since 1959 PROPRIETARY AND CONFIDENTIAL THE INFORMATION CONTAINED IN THIS DRAWING IS THE SOLE PROPERTY OF PHYLIRICH. ANY REPRODUCTION IN PART OR AS A WHOLE WITHOUT THE WRITTEN PERMISSION OF PHYLIRICH IS PROHIBITED.		

NEXT ASSY	USED ON	INTERPRET GEOMETRIC DIMENSIONING & TOLERANCING IN ACCORDANCE WITH ASME Y14.5-2009 & ASME Y14.41-2003 STANDARDS, UNLESS OTHERWISE SPECIFIED, DIMENSIONS ARE IN INCHES. TOLERANCES ARE: FRACTIONS ±1/16" DECIMALS X.X: ±.1 X.XX: ±.01 X.XXX: ±.005 ANGULAR ±2°		
APPLICATION		MATERIAL	NAME	DATE
FINISH		DRAWN		11/20/2015
DO NOT SCALE DRAWING		CHECKED		

DECK TUB SET W/ HANDSHOWER, HEX SPOUT, CROSS HANDLES, HEX MODERN		
SIZE	ASM/PRT NO.	REV
<b>B</b>	501-48/00	C
SCALE: 1:3	WEIGHT: lbs.	SHEET 1 OF 2

8 7 6 5 4 3 2 1

E  
D  
C  
B  
A



1261 LOGAN AVENUE COSTA MESA, CALIFORNIA 92626 PHONE: 714.361.4800 FAX: 714.617.3120	<b>PHYLIRICH</b> <sup>®</sup> Defining Luxury Since 1959	<b>PROPRIETARY AND CONFIDENTIAL</b> THE INFORMATION CONTAINED IN THIS DRAWING IS THE SOLE PROPERTY OF PHYLIRICH. ANY REPRODUCTION IN PART OR AS A WHOLE WITHOUT THE WRITTEN PERMISSION OF PHYLIRICH IS PROHIBITED. <b>DO NOT SCALE DRAWING</b>	DECK TUB SET W/ HANDSHOWER, HEX SPOUT, CROSS HANDLES, HEX MODERN	SIZE <b>B</b>	ASM/PRT NO. <b>501-48/00</b>	REV <b>C</b>
			SCALE: 1:3.5	WEIGHT: lbs.	SHEET 2 OF 2	

8 7 6 5 4 3 2 1